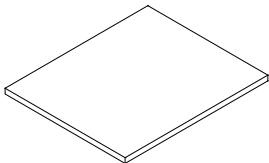
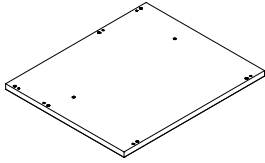
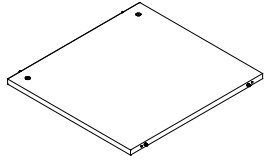
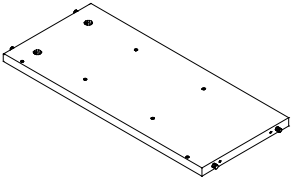
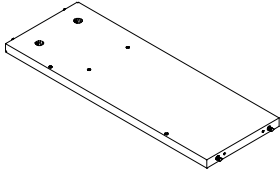
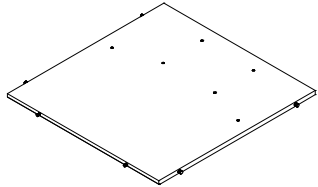
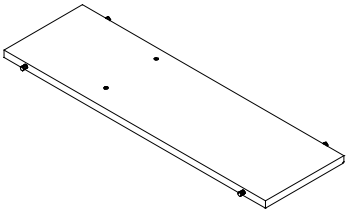
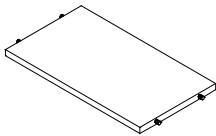
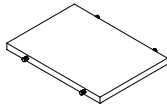


Stuff-Your-Stuff Desk Cart


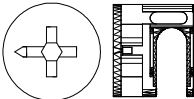

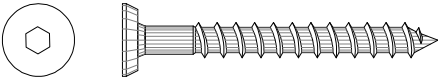
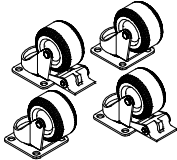
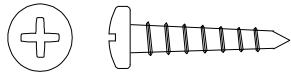
Pre-Assembly:

- Please read all instructions before beginning assembly.
- Place all parts on a carpet or foam in shipping box. Find the round sticker with letter (A,B,C,...) on each part and check with below part list to ensure we have all components.
- Save all packing materials until assembly is complete to avoid accidentally discarding smaller parts or hardware.
- This cart requires two people to do assembly.

Parts Included:

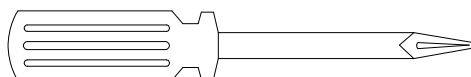
A - Top Panel – 1 Pc 	B - Bottom Panel – 1 Pc 	C - Large Side Panel – 1 Pc 
D - Small Side Panel – 1 Pc 	E - Back Panel – 1 Pc 	F - Center Divider Panel – 1 Pc 
G - Side Divider Panel – 1 Pc 	H - Large Shelf – 1 Pc 	I - Small Shelf – 2 Pcs 

Hardware Enclosed:

J - Cam Bolt – 6 Pcs 	K - Cam Lock – 6 Pcs 	L - Allen Key – 1 Pc 
M - Con-format Screw – 6 Pcs 	N – Caster – 4 Pcs (2 with brake and 2 without) 	O – Wood Screw – 16 Pcs 

Tools Required:

Phillips Head Screwdriver (not included)

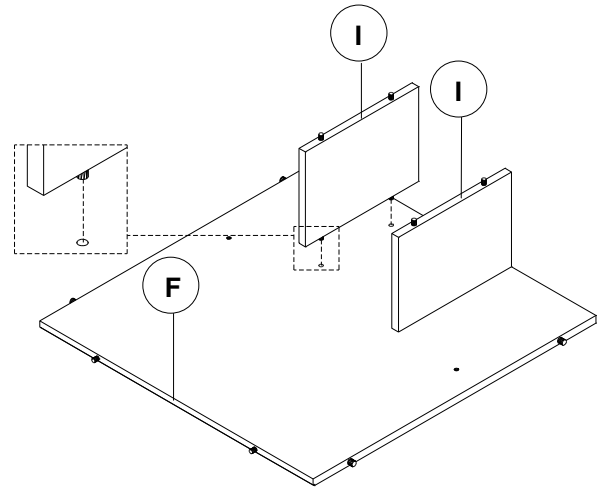


Assembly Instructions:

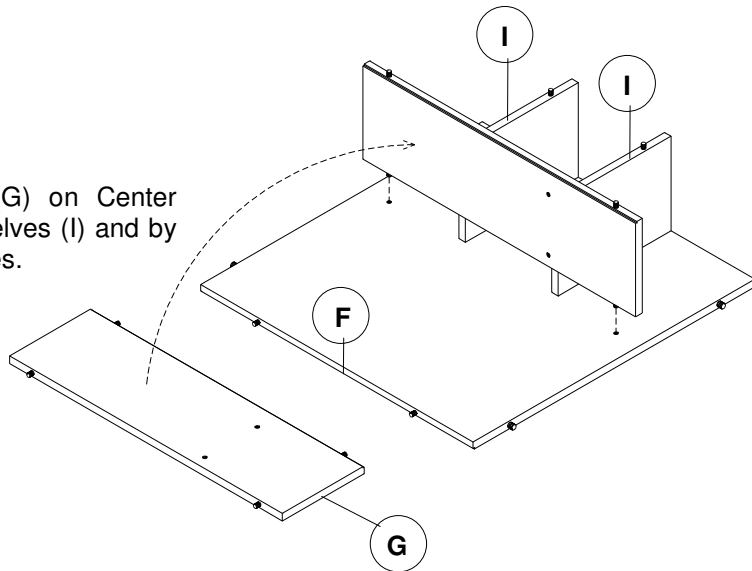
1. Place the Center Divider Panel (F) with the side has pre-drilled holes facing up. Attach two Small Shelf (I) onto the Center Divider Panel (F) by inserting the two exposed dowels on the longer edge of shelf into pre-drilled hole on panel.



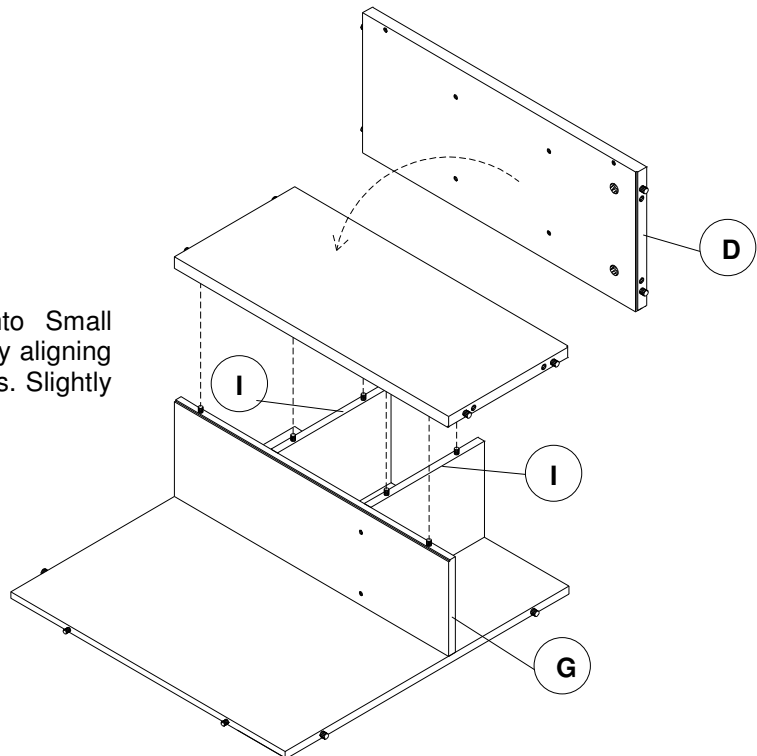
Note: The panels has pre-installed dowels on two sides. We are setting all dowel sides in below illustration. That is also direction of panel in assembly.



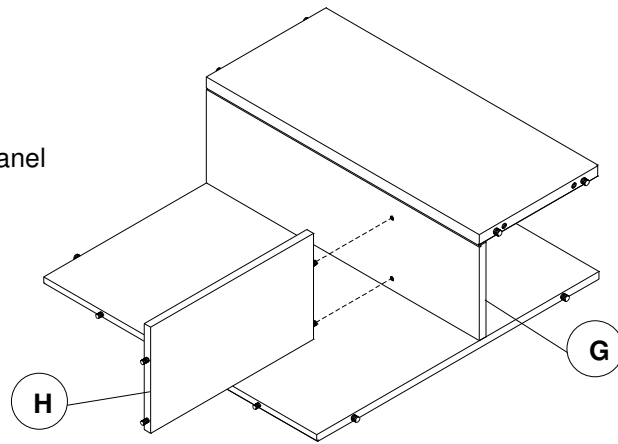
2. Attach The Side Divider Panel (G) on Center Divider Panel (F) next to Small Shelves (I) and by inserting dowels into pre-drilled holes.



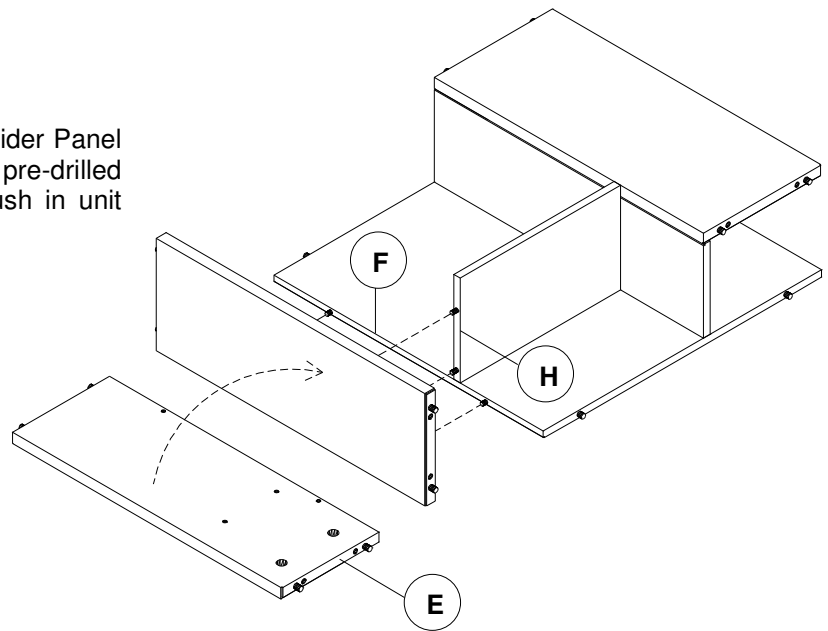
3. Attach the Small Side Panel (D) onto Small Shelves (I) and Side Divider Panel (G) by aligning the pre-drilled holes with exposed dowels. Slightly press down until tight.



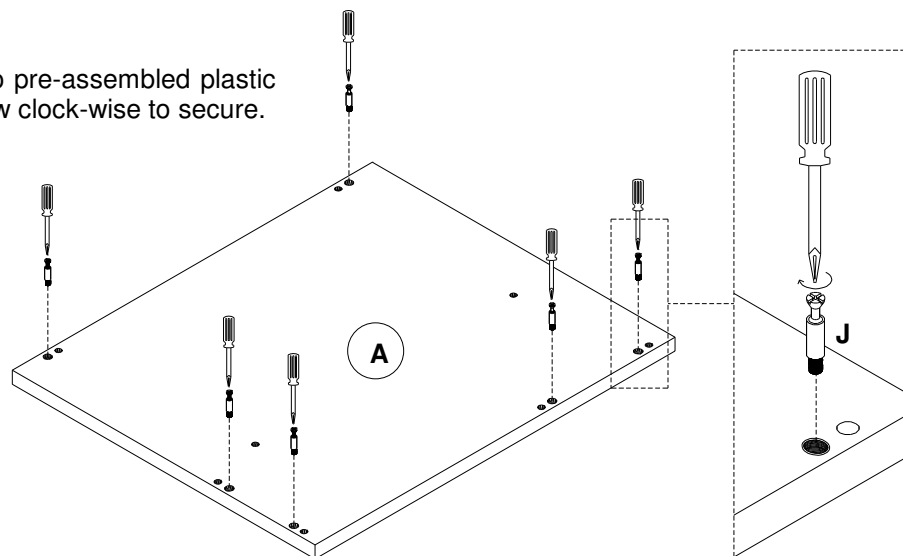
4. Attach the Large Shelf (H) to Side Divider Panel (G) by inserting dowels into pre-drilled holes.



5. Attach the Back Panel (E) to Center Divider Panel (F) and Large Shelf (H) by aligning the pre-drilled holes with exposed dowels. Slightly push in unit tight.

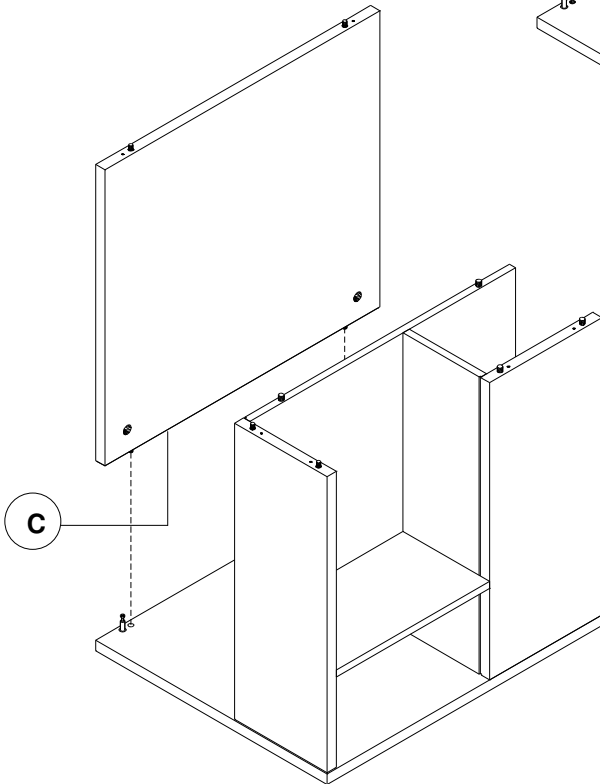
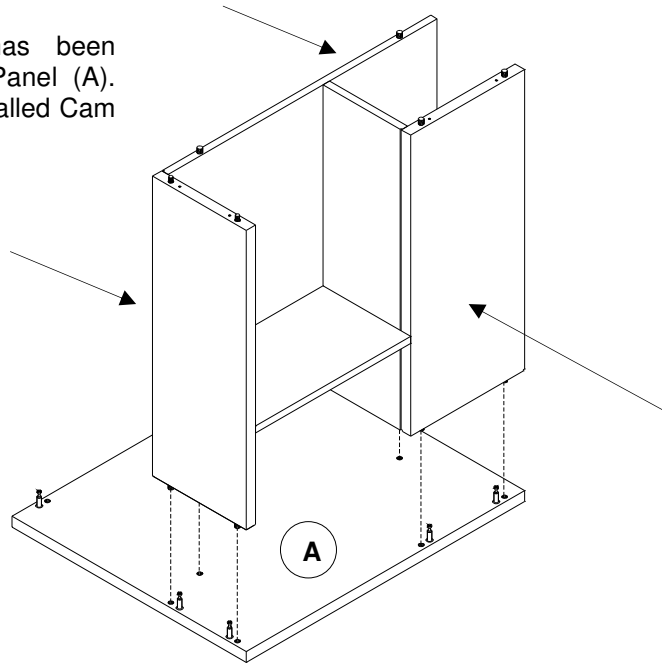


6. Insert the Cam Bolt (J) into pre-assembled plastic nut on Top Panel (A). Screw clock-wise to secure.

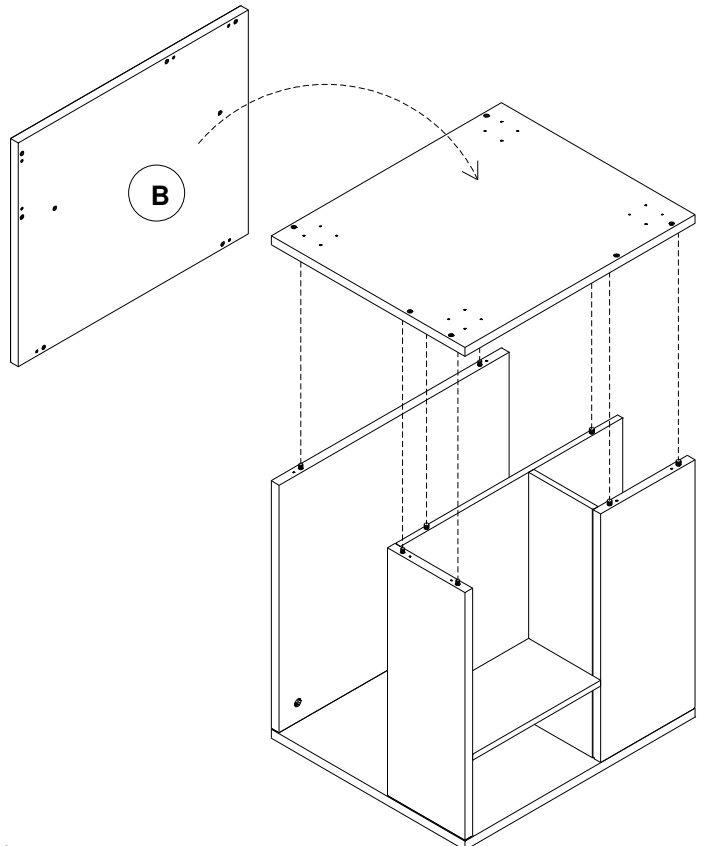


7. Slowly turn up the panels that has been assembled and attach onto the Top Panel (A). Align the dowels on panels with just installed Cam Bolt (J).

Note :
Until this assembly step. The panels are jointed together by dowels only. They may easy to fall apart. Arrow marks below show the place should give hand to keep.

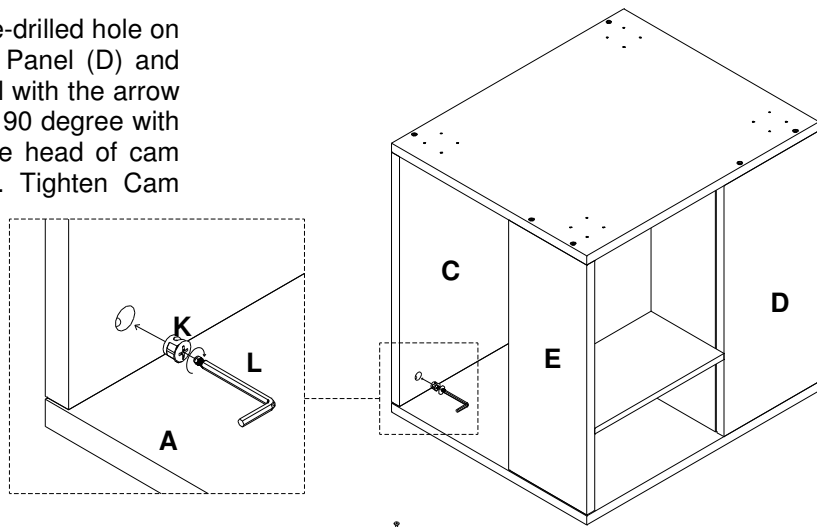


8. Attach the Large Side Panel (C) on the Top Panel (A). Align the dowels on the side with pre-drilled holes on top.

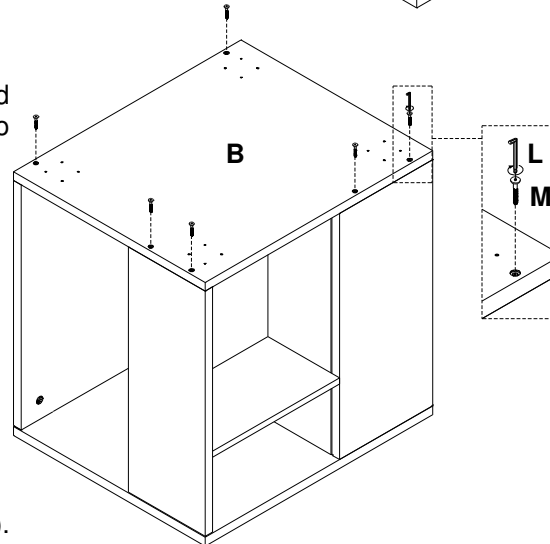


9. Attach the Bottom Panel (B) onto the assembled parts by aligning wood dowels and pre-drilled holes.

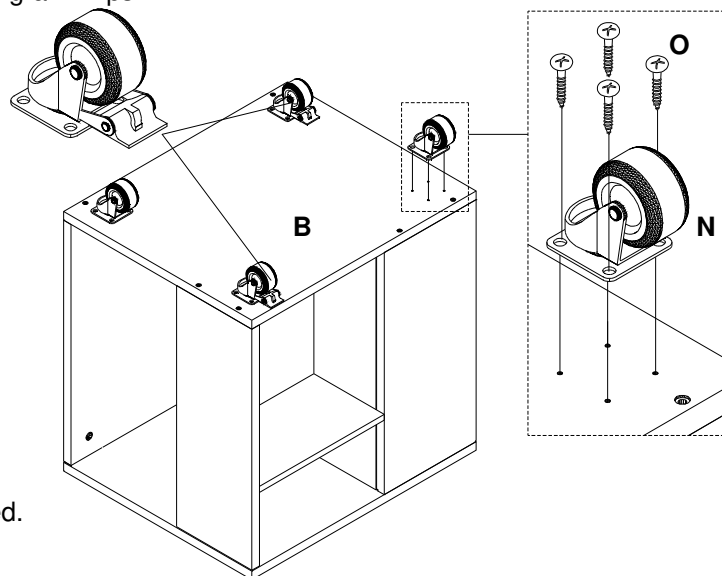
10. Insert the Cam Lock (K) into the pre-drilled hole on Large Side Panel (C), Small Side Panel (D) and Back Panel (E). Two for each panel with the arrow mark on the cam lock turn down at 90 degree with Top Panel (A). This will ensure the head of cam bolt could slot into the cam lock. Tighten Cam Lock (K) with Allen Key (L).



11. Insert the Con-format Screw (M) into pre-drilled holes on the bottom panel (B). Turn Clock-wise to secure using Allen Key (L)



12. Place the Casters (N) onto the Bottom Panel (B). Ensure two same Casters (with or without brake) stay at diagonal corners. Align the (4) holes on metal plate of caster with pilot holes on bottom panel. Secure by wood Screws (O) using a Philips head screwdriver.



13. Turn up the Cart. Assembly is completed.

Care Instructions:

- Hardware may loosen over time. Periodically check to make sure all connections are tight. Re-tighten if necessary.
- Dust often using a clean, soft, dry and lint-free cloth.
- To clean, slightly moisten cloth with water. (a damp cloth holds dust and prevent scratching; dry thoroughly)
- Periodically tighten the Cam Lock to ensure the cart stays firmly.
- Waxing is not recommended on lacquered finish.