



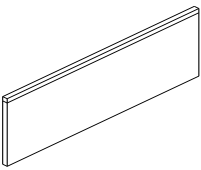
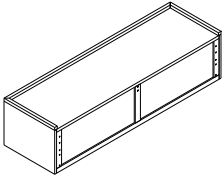
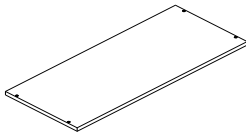

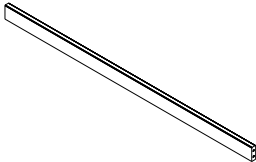
Store – it Bed Queen

Pre-Assembly:

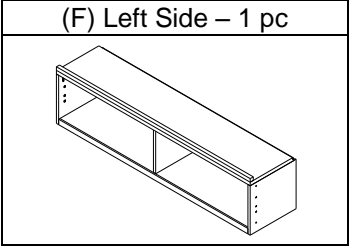
- Please read all instructions before beginning assembly.
- Two-person is recommended during assembly.
- Remove all parts and hardware from box and lay out on a carpeted or scratch-free work surface, as this will avoid damaging any part during assembly. The shipping box provides an ideal work surface.
- Save all packing materials until assembly is complete to avoid accidentally discarding smaller parts or hardware.

Parts Included:

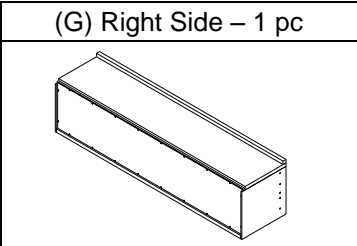
Carton 1 (Sold separately):

(A) Headboard – 1 pc 	(B) Footboard – 1 pc 	(C) Center Board – 5 pcs 	(D) Support Leg – 1 pc 
(E) Center Support Slat – 1 pc 			

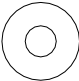
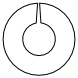
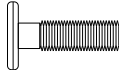

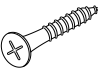

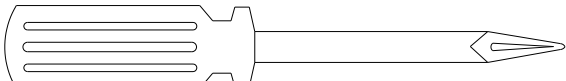
Carton 2 (Sold separately):



Carton 3 (Sold separately):

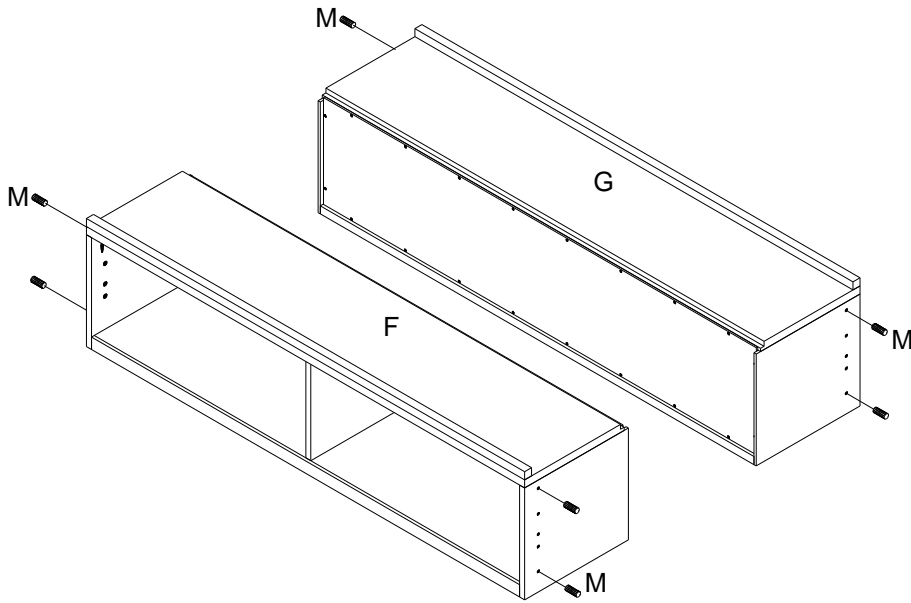


Hardware Enclosed: (Packed in Carton 1)

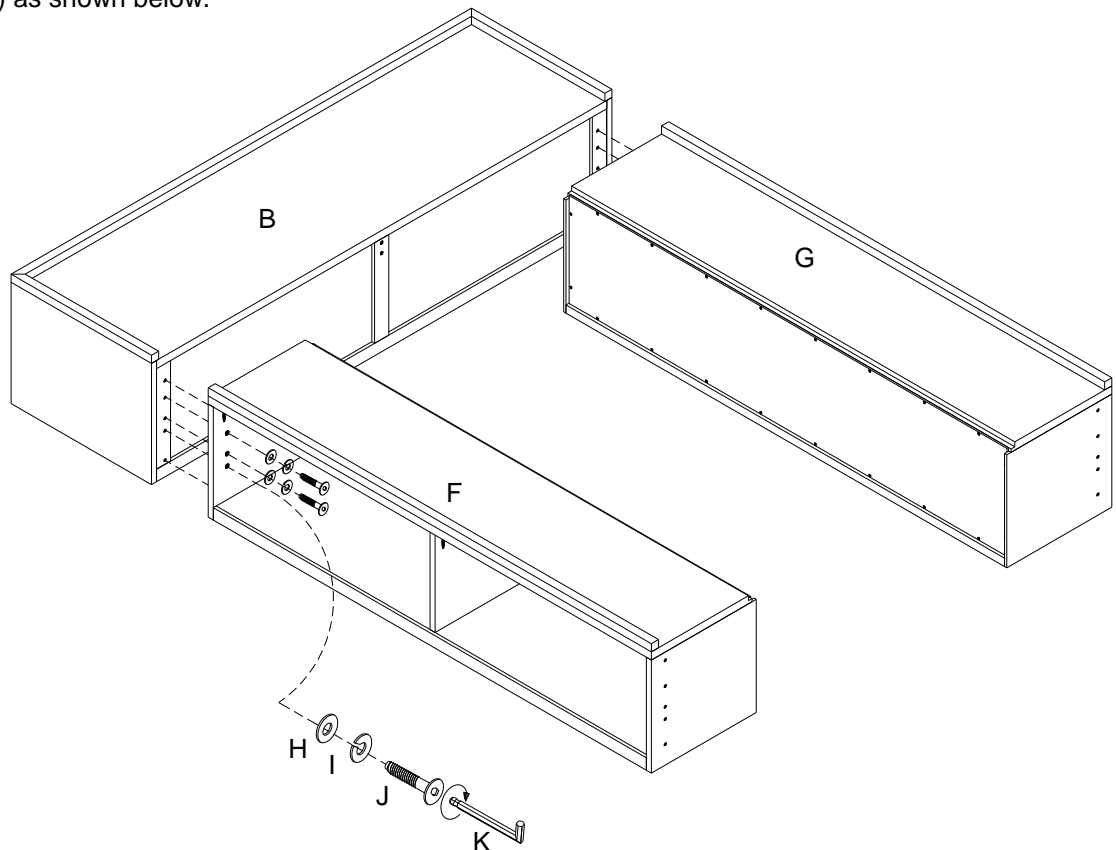
(H) Flat Washer – 12 pcs 	(I) Lock Washer – 12 Pcs 	(J) Allen Bolts – 12 Pcs (M6 x 30 mm) 	(K) Allen Key – 1 Pcs 
(L) Wood Screw – 20 Pcs (ø6 x 7/8") 	(M) Wood Dowels – 8 pcs (ø8 x 20 mm) 	Tools Required: Phillips head screwdriver (Not included) 	

Assembly Instructions:

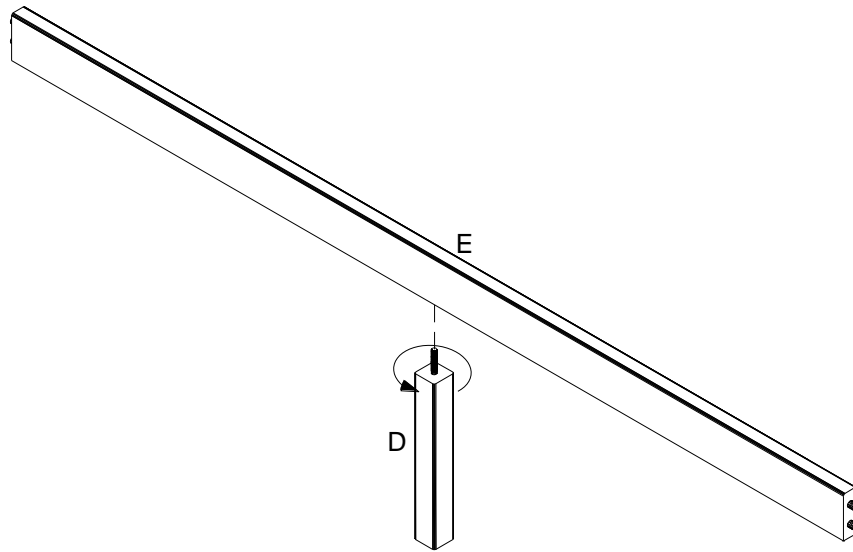
1. Insert Wood Dowels (M) into pre-drilled holes at the ends of Left Side (F) as shown. Ensure half length of the dowels go into the holes. Repeat at Right Side (G)



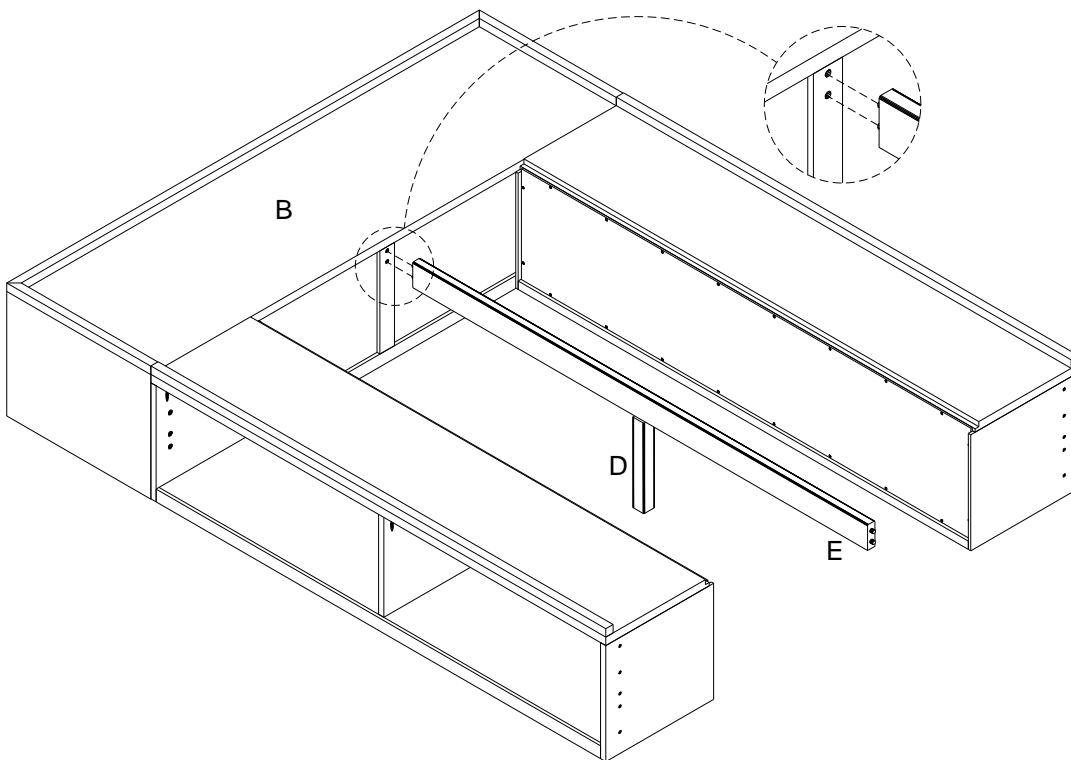
2. Attach Left Side (F) and Right Side (G) to Footboard (B) by aligning Dowels (M) with pre-drilled holes at the back of Footboard (B), Secure Side Parts and Footboard (B) with flat washer (H), Lock Washer (I) and Allen Bolts (J) by Allen Key (K) as shown below.



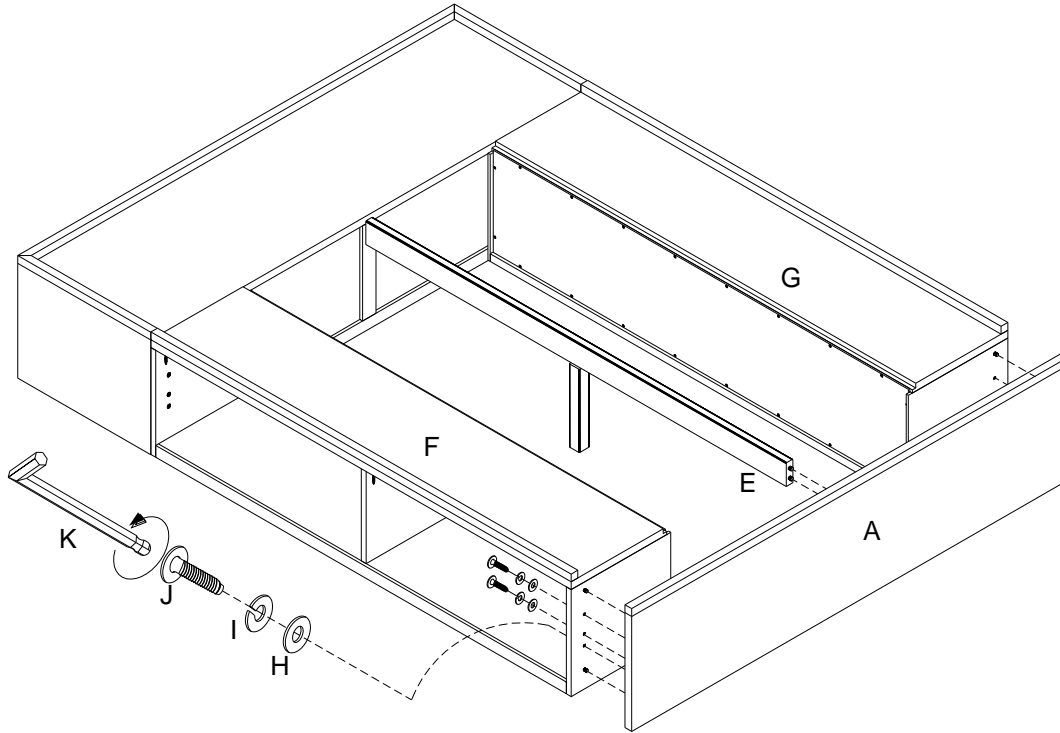
3. Attach the Support Leg (D) to Center Support Slat (E) by inserting the hanger bolt on the leg to inserted nut at center on one side of the slat. Turn clockwise until tighten.



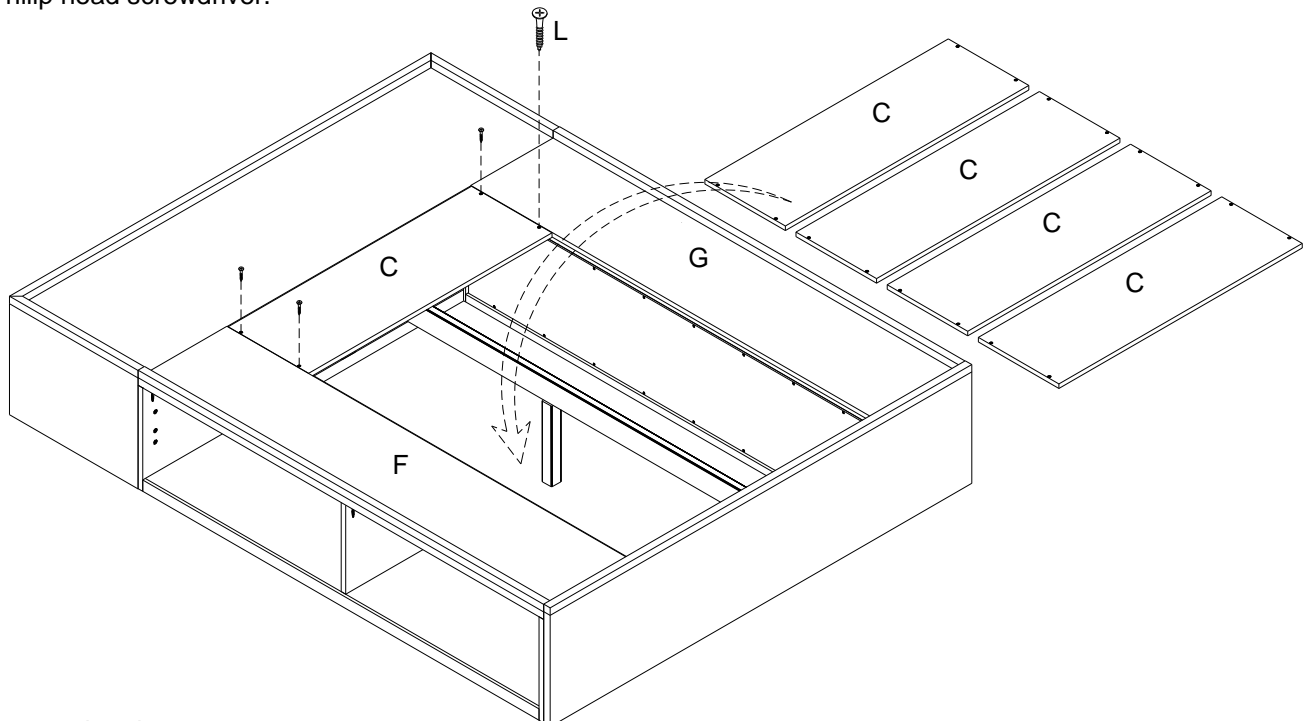
4. Attach Center Support Slat (E) with installed Support Leg (D) to Footboard (B) by inserting exposed wooden dowels at one end of the slat into pre-drilled holes at the back center of Footboard (B). Hold another end for next assembly.



5. Attach Headboard (A) to Left Side (F) and Right Side (G) and Center Support Slat (E) by aligning pre-drilled holes on Headboard (A) to wooden dowels on Left Side (F) and Right Side (G) and Center Support Slat (E). Secure Headboard (A) with Flat washer (H), Lock Washer (I) and Allen Bolt (J) by Allen Key (K).



6. Slowly Place Center Boards (C) on the top ledges of Left Side (F) and Right Side (G). Secure with Screws (L) by a Philip head screwdriver.



Assembly is completed.

Care Instructions:

- Avoid direct sunlight and excessive temperatures
- Dust often using a clean, soft, dry and lint-free cloth.
- To clean, slightly moisten cloth with water. (a damp cloth holds dust and prevent scratching).