



The hardware included is meant for drywall or wall stud mounting. If your walls are concrete, brick or plaster, we recommend that you consult your local hardware store to determine the proper hardware for your wall type.

Love Shelf

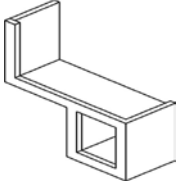
Assembly and Mounting Instructions

NOTE: Maximum total weight capacity for this product is 75 lbs.

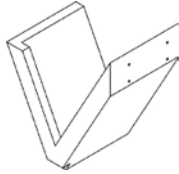
Do not mount this item above a crib or bed.

Parts Included:

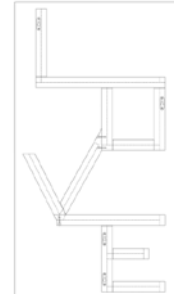
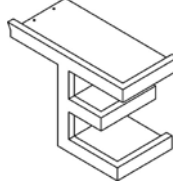
(1) Shelf-LO



(2) Shelf-V



(3) Shelf-E



Hardware Included:

(A) Machine Screw – 5 pcs

(B) Anchors - 4 pcs

(C) Stud Mounting
Screws - 4 pcs

(D) Wall Hanging
paper template – 1pc

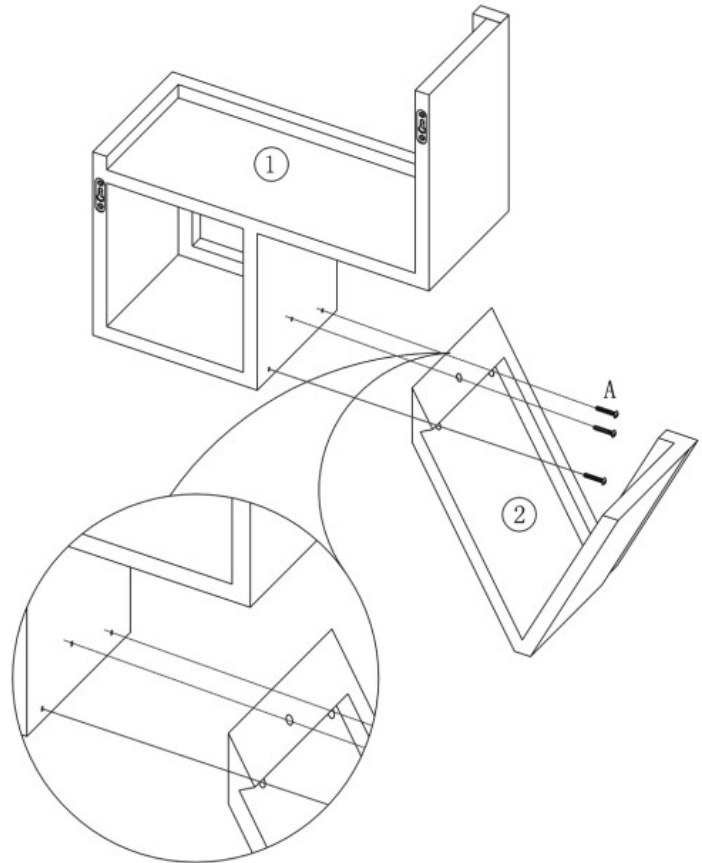


Tools required for mounting (Not included):

Phillips Screwdriver, Level, Pencil, Stud Finder, Tape

Assembling Instructions:

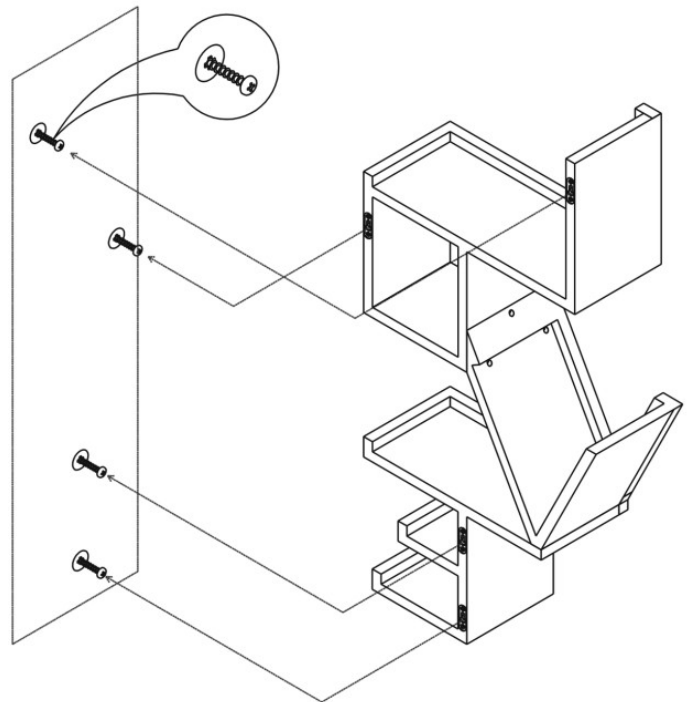
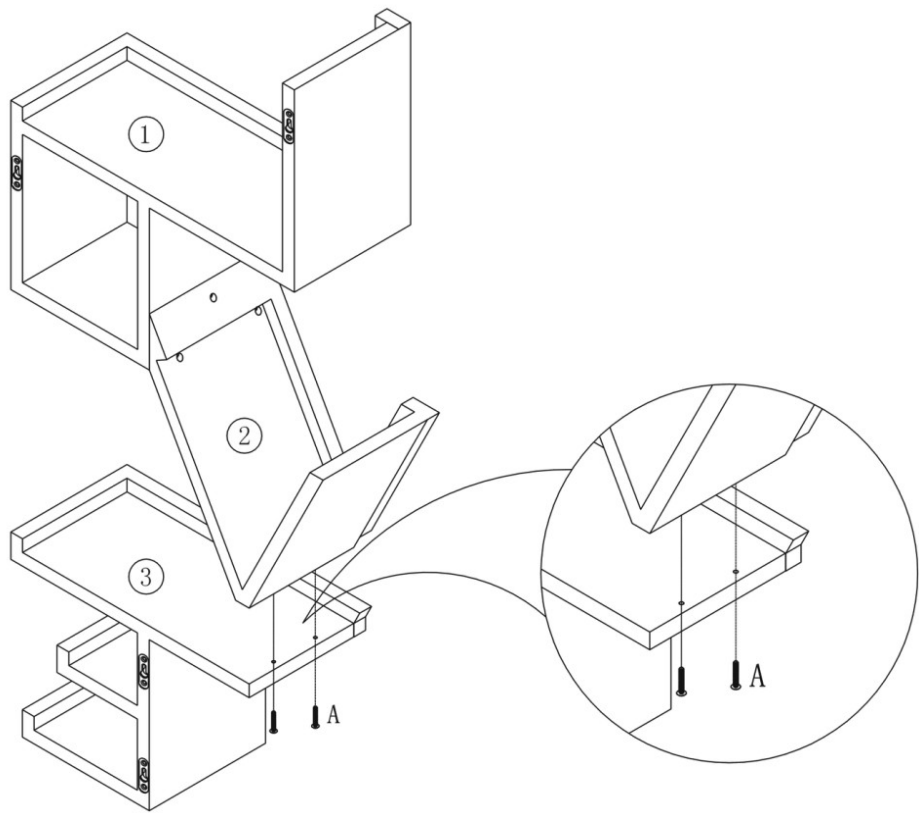
- 1) Position the three shelf sections horizontally on the floor so that the front of each faces up and so that the Sections spell the word "LOVE."
- 2) Align the three pre-drilled holes of Shelf "V" with the threaded holes of Shelf- "LO" and then secure the "LO" Shelf Section to the "V" Shelf Section using three of the provided five machine screws. Insert a screw into each open hole of the "V" Shelf Section and tighten each screw clockwise using a screwdriver. (See Figure 1)
- 3) Apply Step (2) to secure the "E" Shelf Section to the "LOV" assembled section. Align the TWO holes of the "E" Section to the TWO threaded holes of the "V" Section. Use the remaining two machine screws (A) and a screwdriver to secure a screw into each open hole. As before, rotate each screw clockwise until tight. (See Figure 2)



- 4) The LOVE Shelf is now assembled. Now let's mount it!

Mounting Instructions:

1. Position the provided paper mounting template against the wall at a desired mounting location. Hold the template level (use a level here) and then use a sharp pencil to mark the wall at each of the four dots shown on the template (located at the top of each keyhole). Set the template aside.
2. The provided anchors cannot penetrate wood studs. Therefore we have to find out if either marks of Step (4) happens to align with a wall stud (use a stud-finder to determine this). If a mark does align, use a screwdriver to secure a provided stud screw at this location – do not use an anchor. Rotate the screw clockwise until the screw head resides about 3/8 inch from the wall.
3. For marks that do not align with a stud, use the screwdriver to install an anchor into the wall at each mark. Engage the head of the anchor with the screwdriver and position the anchor's tip at one of the marks. Rotate the anchor clockwise while pushing it firmly into the wall. The anchor will automatically drive itself into the wall. Continue rotating until the wide end of the anchor becomes even with the wall surface. Do not over-tighten.
4. Use the screwdriver to secure a screw into each installed anchor of Step (3). Rotate each screw clockwise until the screw head resides about 3/8 inch from the wall.
5. With the help of another person, position the shelf against the wall so that the four keyholes align and engage with the protruding screw heads. Lower the shelf so the screws support its weight. Make sure that a screw engages EACH of the four keyholes.



Care Instructions: Wipe with a soft, dry cloth. Do not use abrasive or solvent-based cleaners.