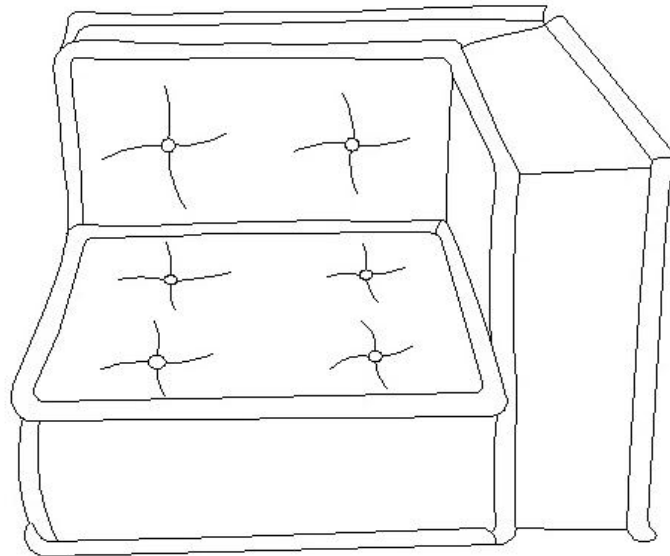




NEW CUSHY SECTIONAL CORNER

ASSEMBLY INSTRUCTIONS



Important Safety Instructions:

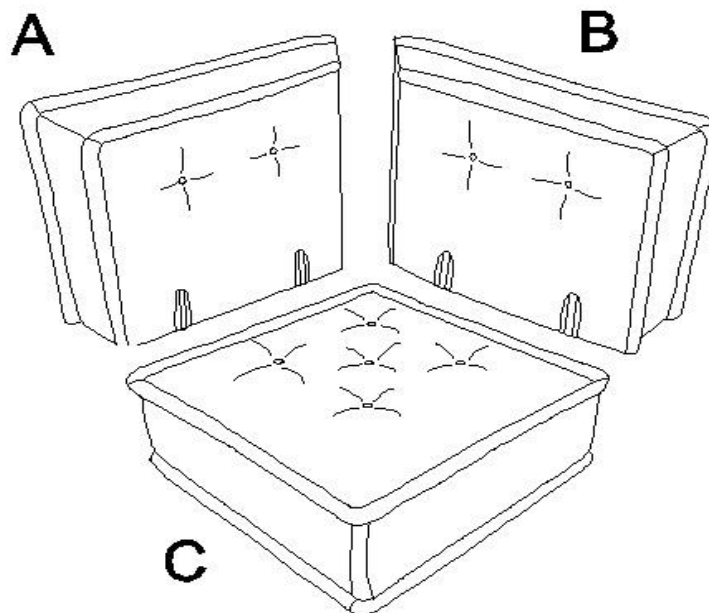
- Please read all instructions carefully before assembling.
- For your safety, assembly by two or more adults is strongly recommended.
- Keep instructions for future use.
- Use only vendor supplied hardware to assemble. Using unauthorized hardware could jeopardize the structural integrity of the item.

Pre-assembly:

- Remove all parts and hardware from the box and lay out on a clear carpeted or scratch-free work surface, as this will avoid damaging parts during assembly. The shipping box provides an ideal work surface.
- Do not dispose of any packaging or contents of the shipping carton until assembly is completed to avoid accidentally discarding small parts or hardware.
- Use the parts and hardware lists below to identify and separate each of the pieces included.
- The illustrations provided allow for easier assembly when used in conjunction with the assembly instructions.
- The use of power tools to aid in assembly is not recommended. Power tools can damage hardware and split wood.

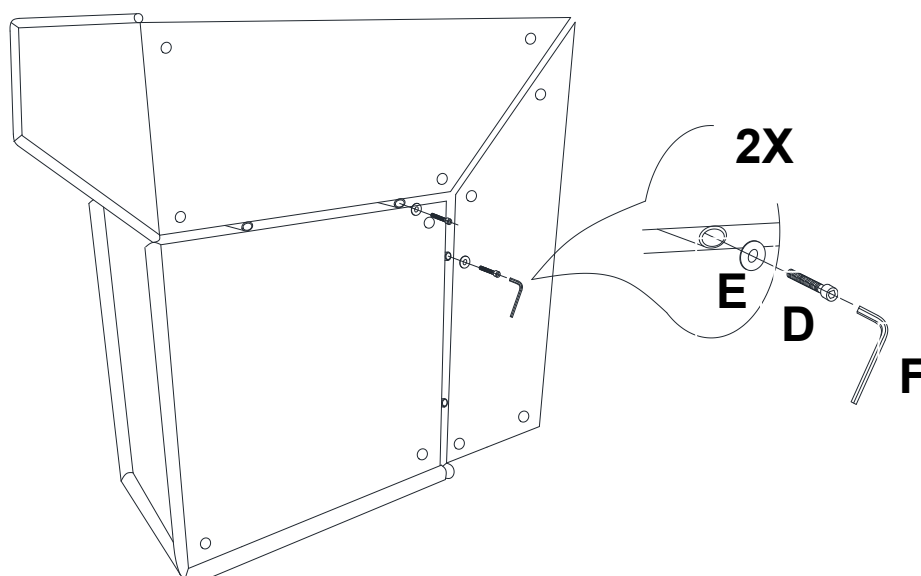
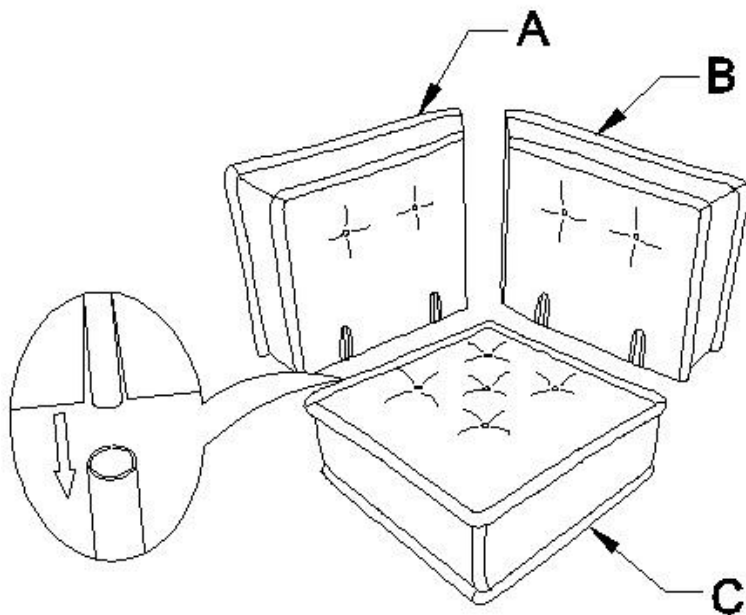
Parts Included:

(A) Back Cushion	1pc
(B) Side Cushion	1pc
(C) Seat Cushion	1pc
(D) Bolt:M8X35mm	2pc
(E) Flat Washer:M8mm	2pc
(F) Ball-Head Allen Wrench: M8mm	1pc



ASSEMBLY INSTRUCTION:

1. Carefully attach Back Cushion (A) to Seat Cushion (C), by inserting the rods from Back Cushion (A) into the tubes of Seat Cushion (C), as shown.
2. Carefully attach the Side Cushion (B), to Seat Cushion (C) by inserting rods from Side Cushion (B), into the tubes of Seat Cushion (C) as shown.
3. Make sure all connections are secure.
4. Carefully lay the corner on its side down on a smooth scratch free surface. insert Bolt (D) thru Flat Washer (E) .tighten with Ball-Head Allen Wrench (F) .Assembly is complete!



CARE INSTRUCTIONS:

- Wipe with a soft, dry cloth.
- Avoid the use of all household cleaners and abrasives.