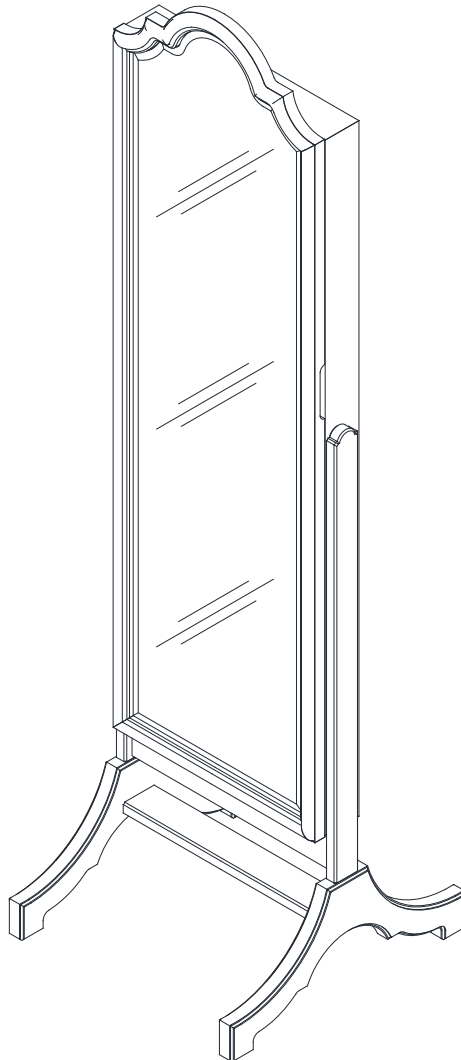




## JEWELRY STORAGE FLOOR MIRROR

### ASSEMBLY INSTRUCTIONS



**Important Safety Instructions:**

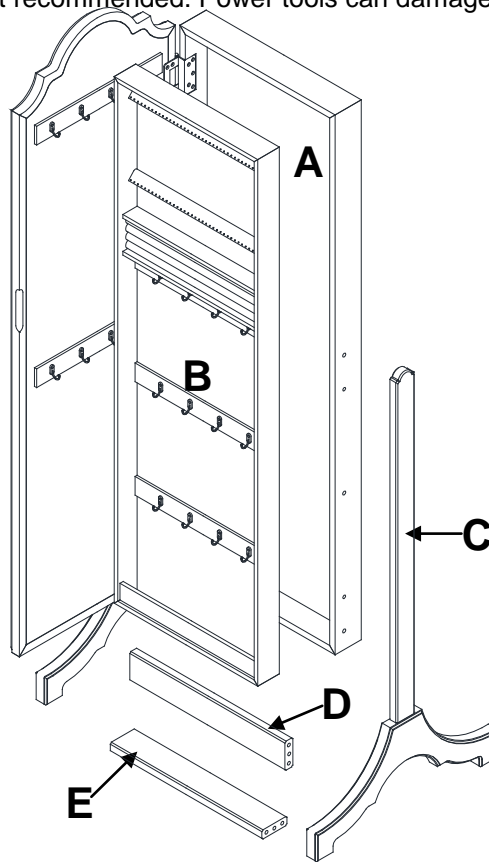
- Please read all instructions carefully before assembling.
- For your safety, assembly by two or more adults is strongly recommended.
- Keep instructions for future use.
- Use only vendor supplied hardware to assemble. Using unauthorized hardware could jeopardize the structural integrity of the item.

**Pre-assembly:**


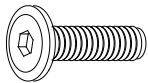

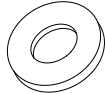
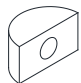



- Remove all parts and hardware from the box and lay out on a clear carpeted or scratch-free work surface, as this will avoid damaging parts during assembly. The shipping box provides an ideal work surface.
- Do not dispose of any packaging or contents of the shipping carton until assembly is completed to avoid accidentally discarding small parts or hardware.
- Use the parts and hardware lists below to identify and separate each of the pieces included.
- The illustrations provided allow for easier assembly when used in conjunction with the assembly instructions.
- The use of power tools to aid in assembly is not recommended. Power tools can damage hardware and split wood.

**Parts Included:**

- (A) Mirror frame - 1 pc
- (B) Jewelry fabric - 1 pc
- (C) Mirror post - 2 pcs
- (D) Short rail - 1 pc
- (E) Long rail - 1 pc



**Hardware Included:**

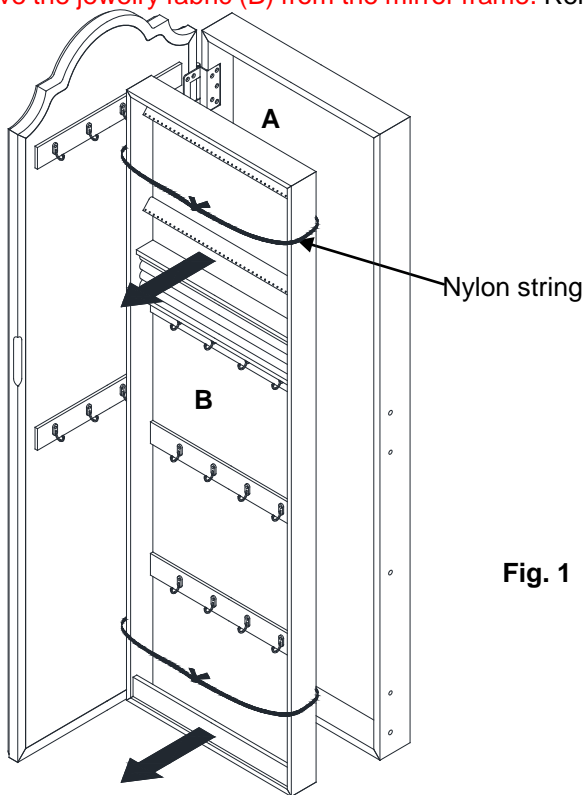
(F) Bolt M6x50mm – 4x 	(G) Bolt M6x25mm – 6x 	(H) Lock washer – 10x 	(I) Flat washer – 6x 
(J) Half moon washer – 4x 	(K) Allen key 4mm – 1x 	(L) Screw 7x19mm – 4x 	(M) Dowel 8x20mm – 4x 

**Tools required (not included):**

Philips Head Screwdriver 

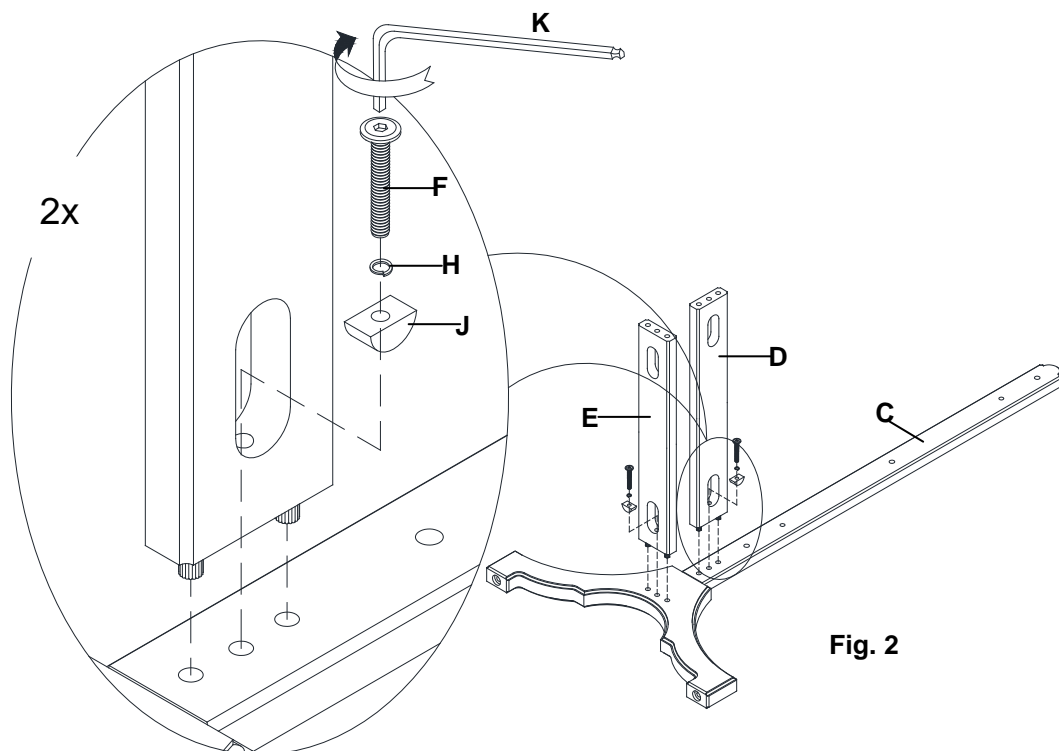
**Assembly Instruction Steps:**




1. Place all parts on a soft, scratch-free surface such as rug or carpet.
2. Before beginning the assembly, determine the desired location of the Wardrobe and prepare all parts at this location.
3. Open the door of mirror frame (A).
4. **Please pull out the nylon string to remove the jewelry fabric (B) from the mirror frame.** Remove Jewelry fabric (B) from the mirror frame (A). (See Fig. 1)



**Fig. 1**

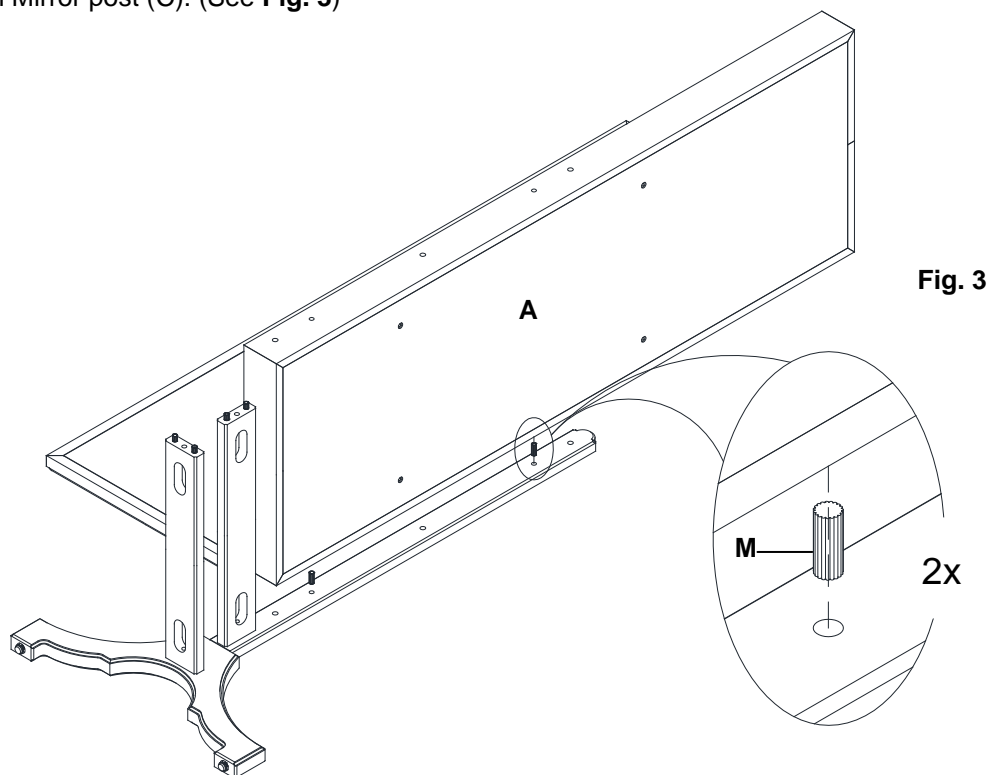
5. Attach Short rail (D) and Long rail (E) to the mirror post (C). Secure with 2 sets of: Bolt (F), Lock washer (H) and Half moon washer (J) through each angle bored hole of the rails into the metal inserts on the mirror post (C). (See Fig. 2). Tighten all bolts with Allen key (K). Do not over tighten.



F		2x
H		2x
J		2x

**Fig. 2**

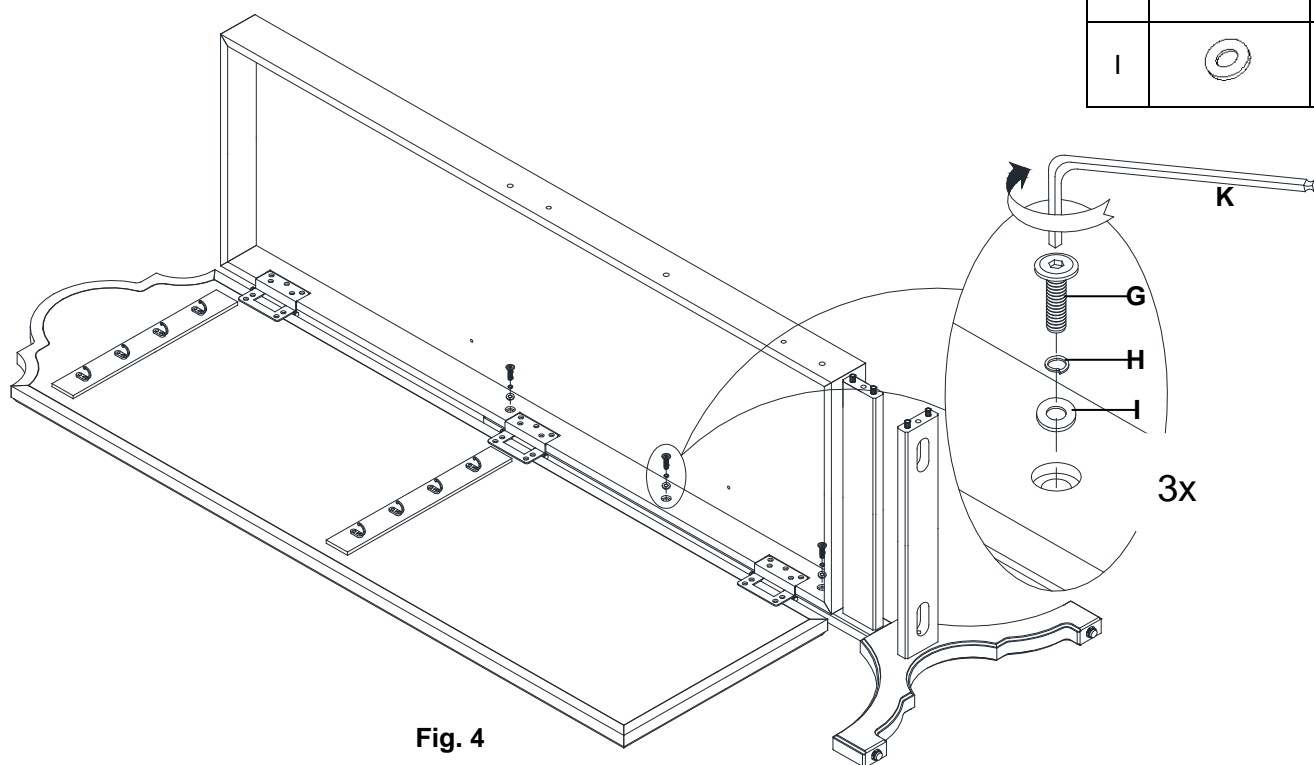
6. Attach Mirror frame (A) to the mirror post. Insert 2x Dowel 8x20mm (M) into the Mirror post and assembly Mirror frame (A) with Mirror post (C). (See **Fig. 3**)



**Fig. 3**

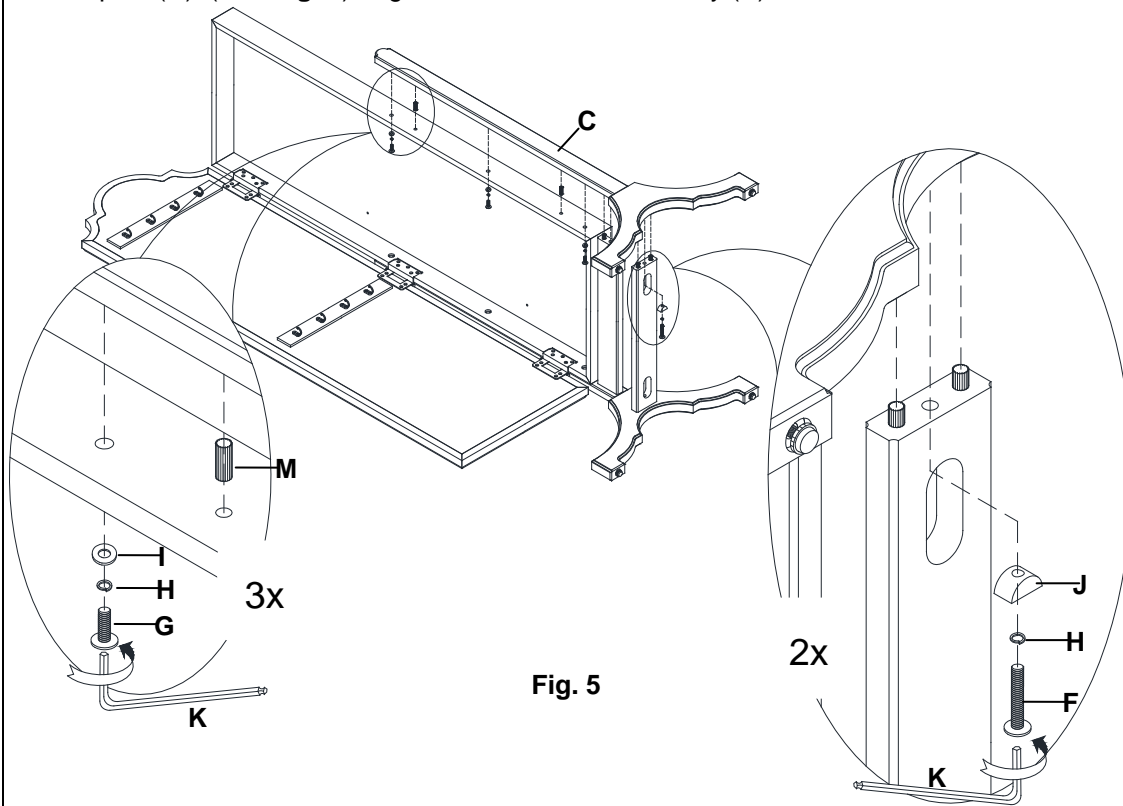
7. Secure with 3 sets of: Bolt (G), Lock washer (H) and Flat washer (I) through each angle bored hole of the Mirror frame (A) into the metal inserts on the mirror post (C). (See **Fig. 4**). Tighten all bolts with Allen key (K). Do not over tighten.







G		3x
H		3x
I		3x



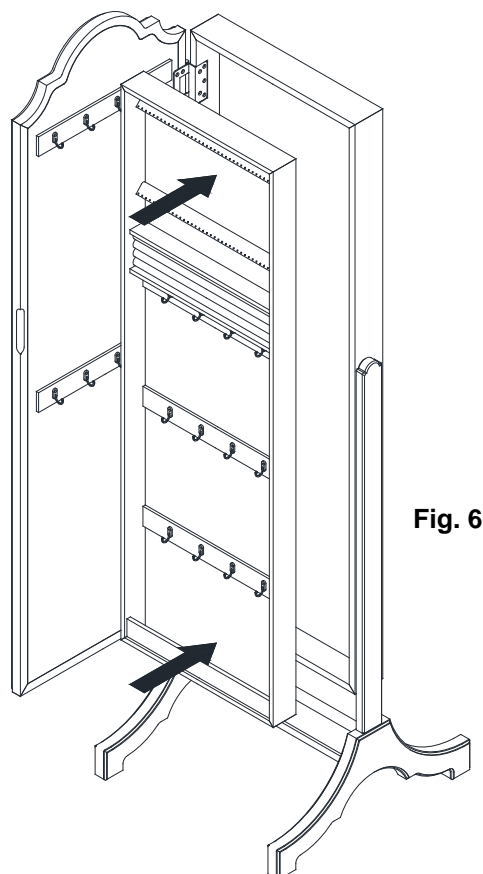
**Fig. 4**

8. Attach another mirror post (C) to the Rails (D&E) and Mirror frame (A). Insert 2x Dowel 8x20mm (M) into the Mirror frame (A). Secure with 2 sets of: Bolt (F), Lock washer (H) and Half moon washer (J) through each angle bored hole of the rails into the metal inserts on the mirror post (C). Secure with 3 sets of: Bolt (G), Lock washer (H) and Flat washer (I) through each angle bored hole of the Mirror frame (A) into the metal inserts on the mirror post (C). (See Fig. 5). Tighten all bolts with Allen key (K).

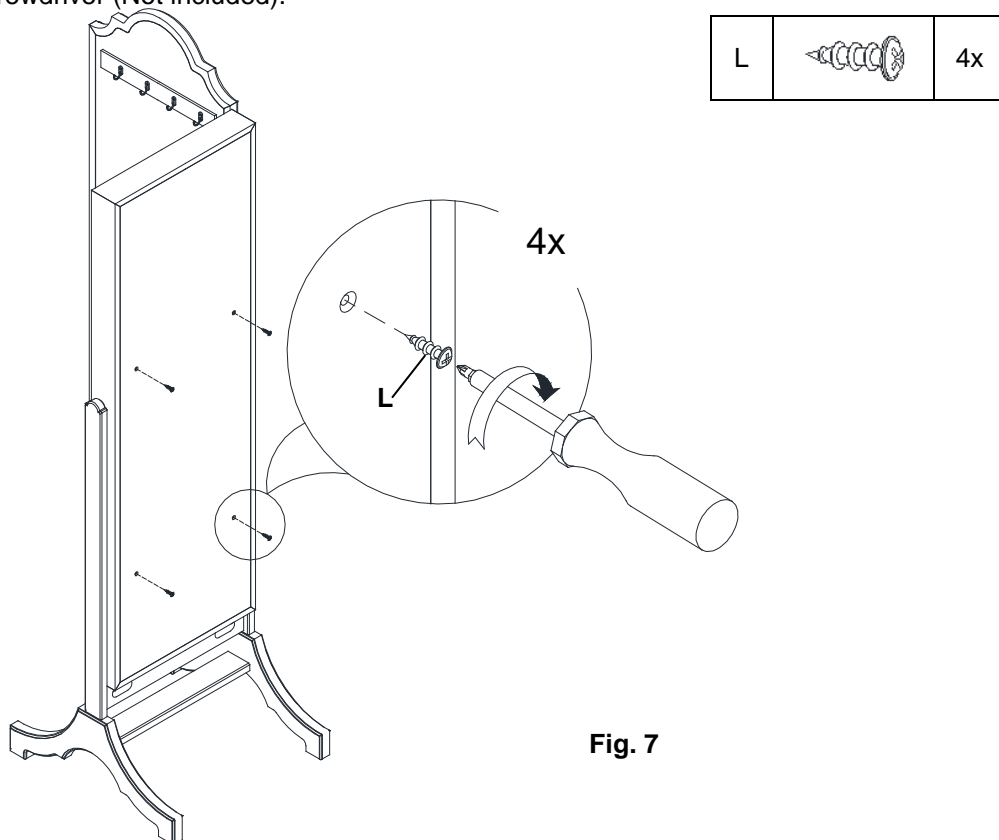


F		2x
G		3x
H		5x
I		3x
J		2x
M		2x

9. Slowly turn the mirror assembled upright.  
 10. Place the Jewelry fabric into the mirror assembly. (See Fig. 6)

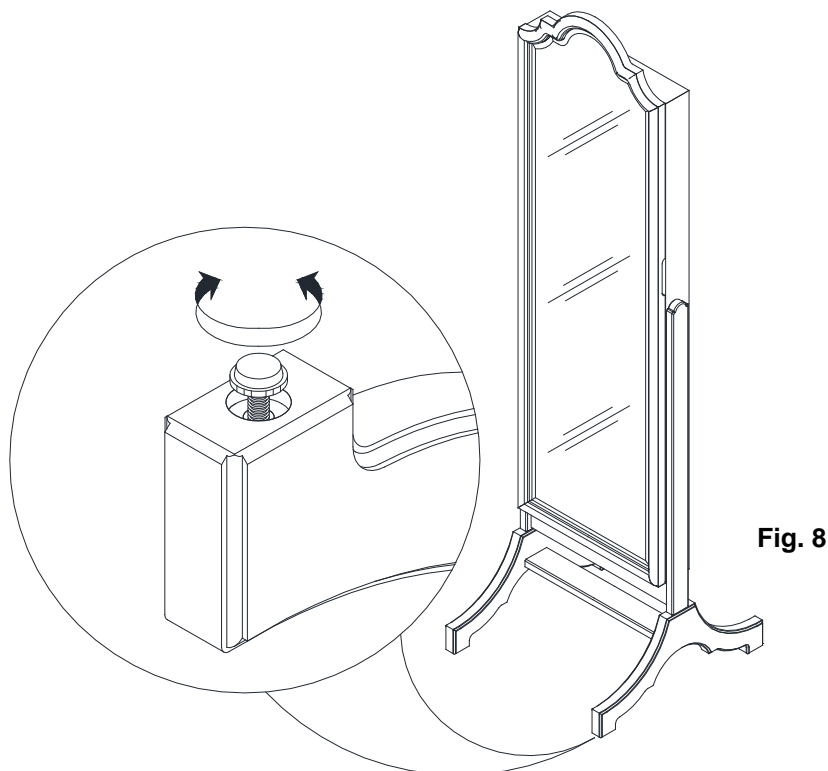


11. Secure with 4x screw 7x19mm (L) through the pre-drilled holes in back of mirror frame (See **Fig. 7**). Tighten all screws with Phillip head screwdriver (Not included).



**Fig. 7**

12. Closed the door. If the mirror doesn't sit level, please adjust the levelers under legs (See **Fig. 8**).



**Fig. 8**

**Care Instructions:**

- Dust often using a clean, soft, dry and lint-free cloth.
- Blot spills immediately and wipe with a clean, damp, cloth.
- We do not recommend the use of chemical cleansers, abrasives or furniture polish on our lacquered finish.
- Hardware may loosen over time. Periodically check to make sure all connections are tight.  
Re-tighten if necessary.