



Beadboard Curved Bed Queen Size

PRE- ASSEMBLY:

- Remove all parts and hardware from the box, and lay them out on a carpeted or scratch-free work surface. The shipping box provides an ideal work surface, as this will avoid damaging any parts during assembly. To avoid accidentally discarding small parts or hardware, do not dispose of any contents until assembly is completed.
- Two people are recommended for ease of assembly.
- Prior to starting the assembly, use the parts and hardware lists to identify and separate each of the pieces included.
- The illustrations provided allows for easier assembly when used in conjunction with the assembly instructions.
- Note: Do not fully tighten all bolts until all parts are in place. Failure to follow these instructions may cause the bolts to misalign during assembly.
- If using power tools to aid in assembly please use caution. Power tools can damage hardware of split wood.

Parts Included:

A – Headboard (x1)

B – Headboard connected rail (x1)

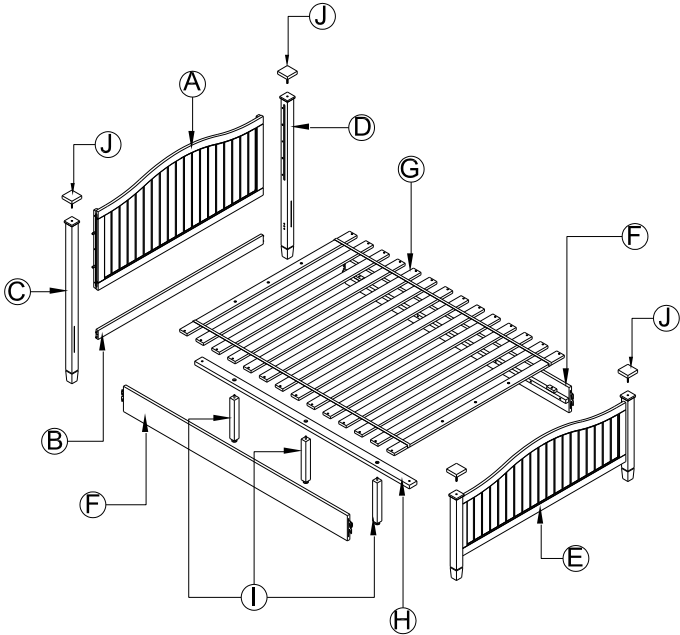
C – Left Headboard Post (x1)

D –Right Headboard Post (x1)

E –Footboard (x1)

F –Side Rail (x2)

G –Slat (x1)



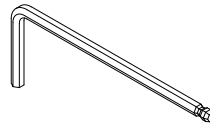
H – Supporting Rail (x1)

I – Support Leg (x3)

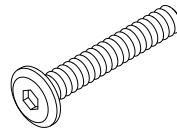
J – Post cap (x4)

Hardware Included:

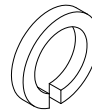
K –Allen Key 4 x 95 x 30mm (x1)



L –Hex Bolt 1/4" x 38 x 13mm (x10)



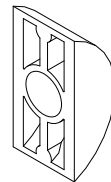
M –Spring Washer 1/4"x10x1.5mm (x10)



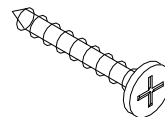
N –Flat washer 1/4"x12 x1.5mm (x10)



O –Half moon washer 1/4"x 24 x 8mm (x2)

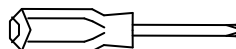


P –Phillips Head Screw 8x30mm (x28)



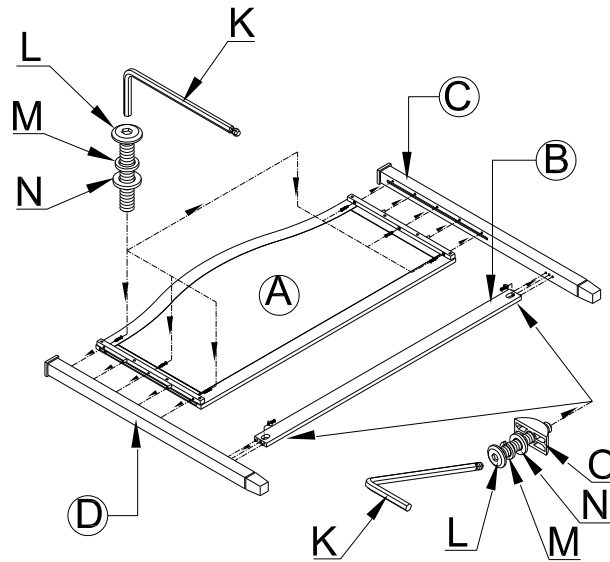
Tool Required:

Phillips Head Screwdriver (not included)

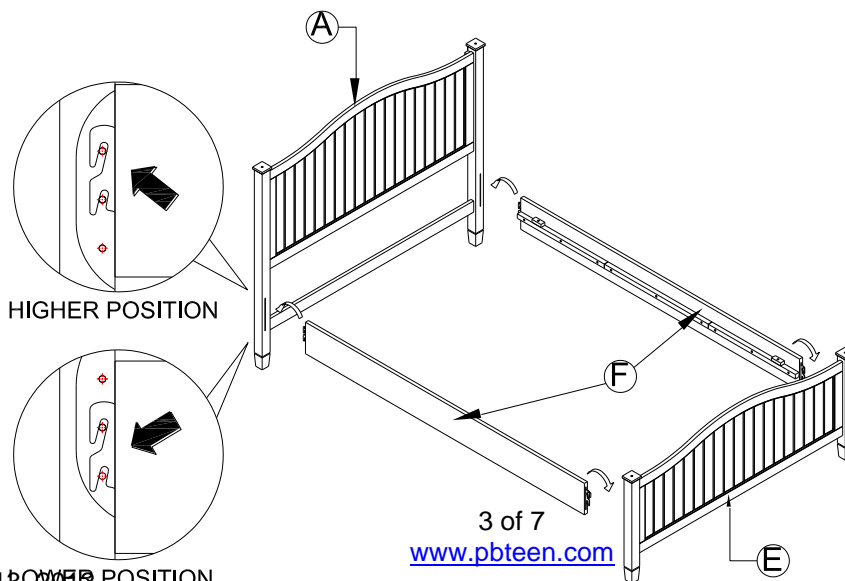


Instruction:

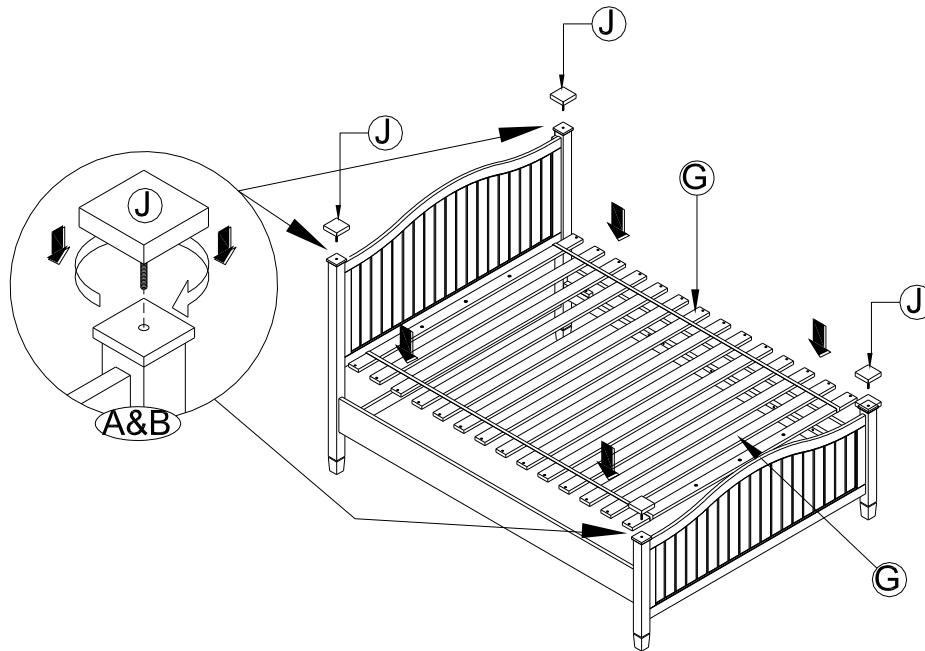
1. Lay down Headboard (A) on a soft, scratch-free surface such as a rug or carpet. Attach the Left Headboard Post (C) to the Headboard (A) with 3pcs of Hex bolt (L), followed by 3pcs of Spring washer (M), and Flat washer (N). Insert through the pre-drilled holes on the Headboard and Post. Attach the Headboard Connected Rail (B) to the assembled Post by using 1pc Hex bolt, with 1pc of Spring washer (M), and Flat washer (N), inserted through Half moon washer (O), and the hole of the Rail and Post. Tighten all bolts with Allen key (K), making sure to not over tighten. Repeat the above steps to complete assembly of Post (D).



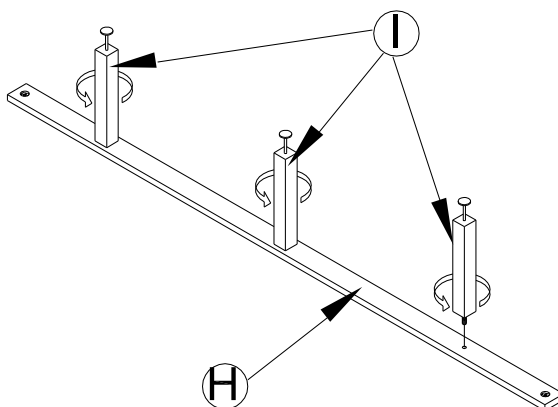
2. Determine desired location of the bed. Hold Headboard (A) in a vertical position tilted slightly forward. Attach each Side Rail (F) to Headboard legs by inserting the hooked ends of the Side Rail (F) into the corresponding slots in the Headboard legs. Push down firmly on the top of the Side Rails (F) until they sit themselves over the pins inside the leg slots, as shown in the illustration below. Be sure the small ledge on each Side Rail (F) is facing inward. There are two levels for the Side Rails (F). If you plan to use a trundle, please use the higher setting.
3. Repeat Step 2 with Footboard (E).



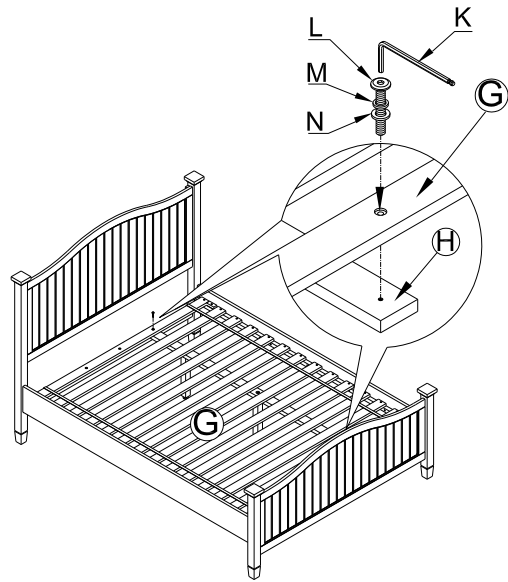
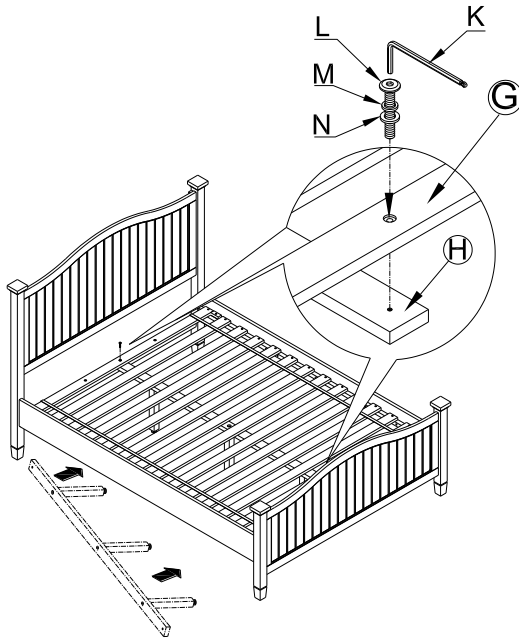
4. Assemble the 4 Post Caps (J) on each top of Headboard and Footboard by turning the caps in a clockwise direction as shown in the illustration below.
5. Lay the Slats Roll (G) in between Side Rails. Make sure the ends of the slats rest upon the small ledge inside of the Side Rails.



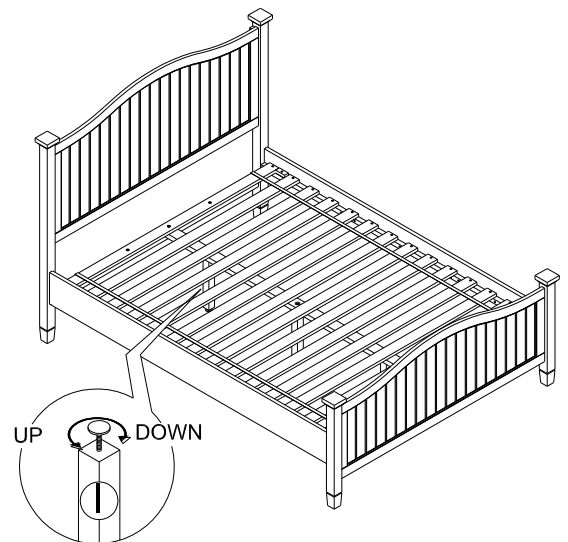
6. Thread Support Legs (I) into the pre-drilled holes of the Supporting Rail (H).

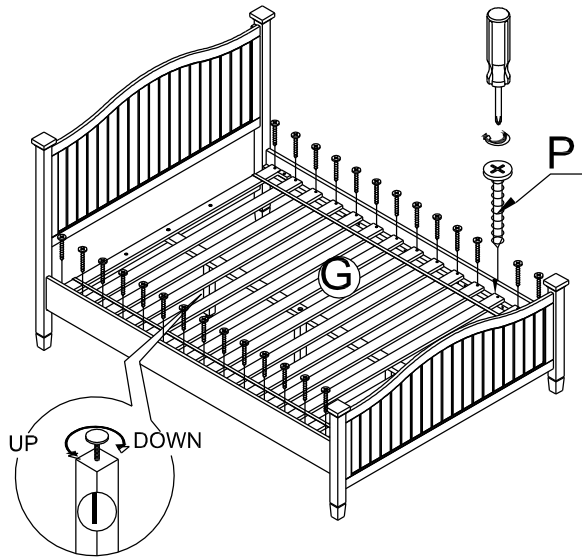


- Attach this assembled Supporting Rail (H) and Support Leg (I) with Slats Roll (G). Connect the 1st slat to the end of Supporting Rail (H). This can be done by inserting Hex Bolt (L) followed with spring washer (M) and flat washer(N) through the pre-drilled hole in 1st slat, and into the pre-drilled holes in Supporting Rail (H). Tighten with Allen Key (K). Repeat at the other end.

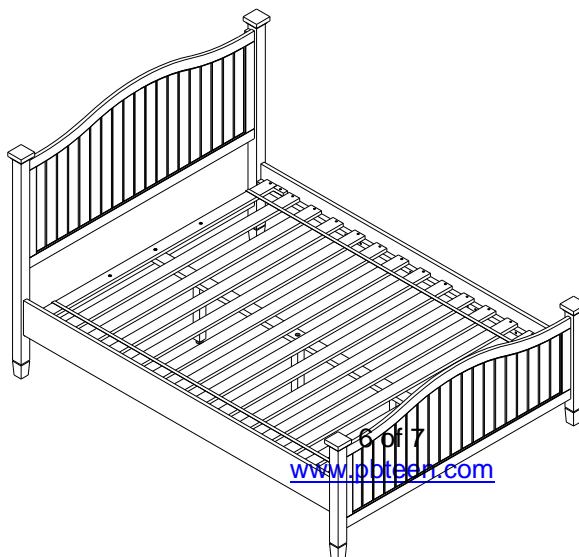
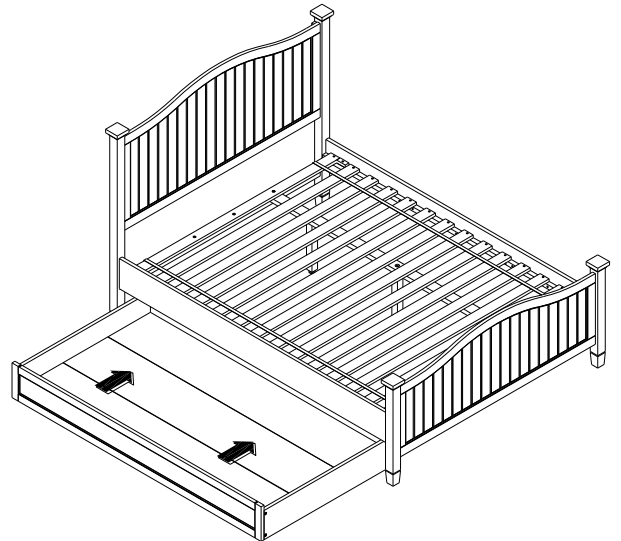


- Fasten each slat to Side Rails (F) with Philips head screwdriver and Philips Screws (O) as shown in the illustration below. To keep the whole bed level, adjust the levelers underneath each Support Leg (I).
- Periodically tighten all connections.





10. Three positions for Supporting Rail (H) and Support legs (I) are provided. The center positions are used when not using a trundle. If using a trundle bed, please unthread the Supporting Rail (H) and Support Legs (I) from the center position, and then re-assemble to the pre-drilled holes on the opposite side of the bed to where you desire the trundle to be used. This provides enough room for the trundle to not hit the Support Legs (I). Adjust the recessed levelers located at the bottom of each Support Leg (I), turning the levelers until adequate contact is made with the floor.



Care Instructions:

- Avoid direct sunlight and excessive temperatures.
- Dust often using a clean, soft, dry, and lint-free cloth.
- Slightly moisten cloth with water. A damp cloth holds dust and prevents scratching.
- Waxing is not recommended on lacquered finish.