



Oversized Chalkboard Organizer Shelving Unit

Components: Shelving Unit and Push Pins

Hardware Included:

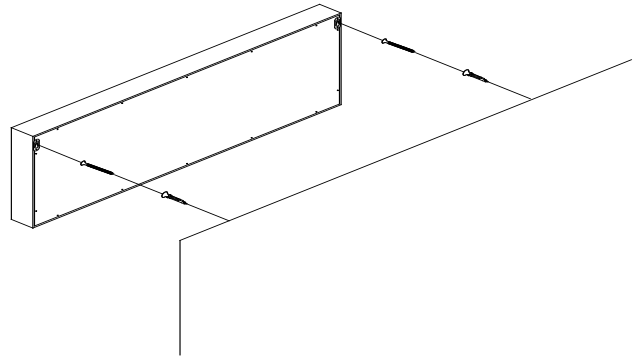
- A. (2) Anchor
- B. (2) Screws
- C. (1) Wall Mounting Template

The hardware included is meant for dry wall mounting only. If walls are concrete, brick or plaster, please consult your local hardware store for assistance.

Tools Required: Phillips Screwdriver, Level, Pencil, Tape Measure, Stud-Finder

Mounting Instructions:

- 1) Position the provided paper template at a desired location on a wall. Use a level to ensure that the template is level and then use a pencil to mark the wall through the template at the two small black dots at the selected keyhole locations. Remove the template and the remaining two marks on the wall are the insertion points for your mounting hardware.
- 2) The provided anchors cannot penetrate wood. Therefore we have to determine if either mark of Step (1) happens to align with a wall stud. If either does (use a stud finder to determine this), do not use an anchor at the mark. Instead, use a screwdriver to secure a provided screw directly into the wall at this mark. Rotate the screw clockwise until the screw head resides about 3/8" from the wall.
- 3) For marks that do not align with a stud, install a provided anchor into the drywall first and then the screw. To install the anchor, use the screwdriver to engage the anchor and then position the tip against the wall at one of the marks. Push the anchor into the wall as you rotate it clockwise until the wide end of the anchor becomes even with the wall.
- 4) Use the screwdriver to secure a screw into each installed anchor. Rotate the screw clockwise until it is fully tight (be patient - it takes quite a few rotations to fully engage the plastic anchor into the wall). Once tight, rotate the screw counter-clockwise about 4 rotates so that the screw head is about 3/8 inches from the wall.
- 5) With the help of another person, lift the item against the wall and align and engage the keyhole brackets with the protruding screws.



Care Instructions:

To clean: Wipe with a soft, dry cloth.
Do not use any abrasive or strong chemical household cleaners.

Thank you for your purchase!
www.pbteen.com