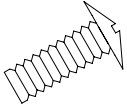
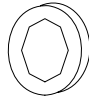


## Locker Drawer

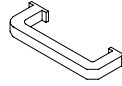
### Hardware Included



A – Screws – 2pcs



B - Washers – 4pcs



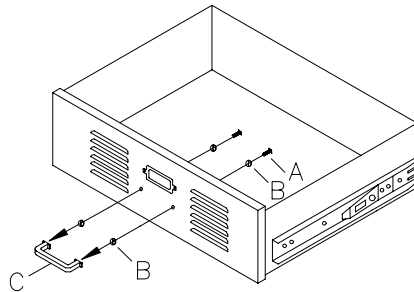
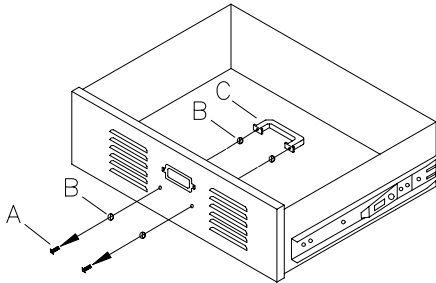
C – Handle – 1pc

### Tools Required

Phillips Head Screwdriver (Not included)

### Handle Installation

1. Handle (C) is pre-assembled on the interior of the drawer. Use Phillips Head Screwdriver to unscrew and remove the Handle (C) and Washers (B) from drawer.
2. Place a Screw (A) through a Washer (B) and insert into the pre-drilled holes on the interior of the drawer. Repeat for each pre-drilled hole.
3. Place another Washer (B) on the end of the Screw, as it exits the drawer front, for each pre-drilled hole and then align Handle (C) to the Screws (A). Tighten Screws (A) and Washers (B) into Handle (C) with Phillips Head Screwdriver until it is firmly attached to drawer.



### Drawer Installation

**NOTE: IMPROPERLY INSERTING THE DRAWER INTO EXTENDED GLIDES MAY DAMAGE THE GLIDES! HOLD THE DRAWER AT A LEVEL POSITION AND CAREFULLY ALIGN EACH SIDE OF DRAWER GLIDE WHILE INSERTING IT INTO THE EXTENDED GLIDES (DRAWER CASE) ON FURNITURE PIECE.**

1. Reach inside Locker furniture piece & pull out each mounted, inner glide to the full forward position. See Figure 1.
2. Push in the leaf spring (located at the arrow point in Figure 1) on both sides of the drawer glides so it aligns with the extended inner glides of the furniture piece at a level position and carefully insert the drawer into the furniture piece. See Figure 2.
3. Close the drawer (there will be some resistance; push slowly and firmly).

Figure 1

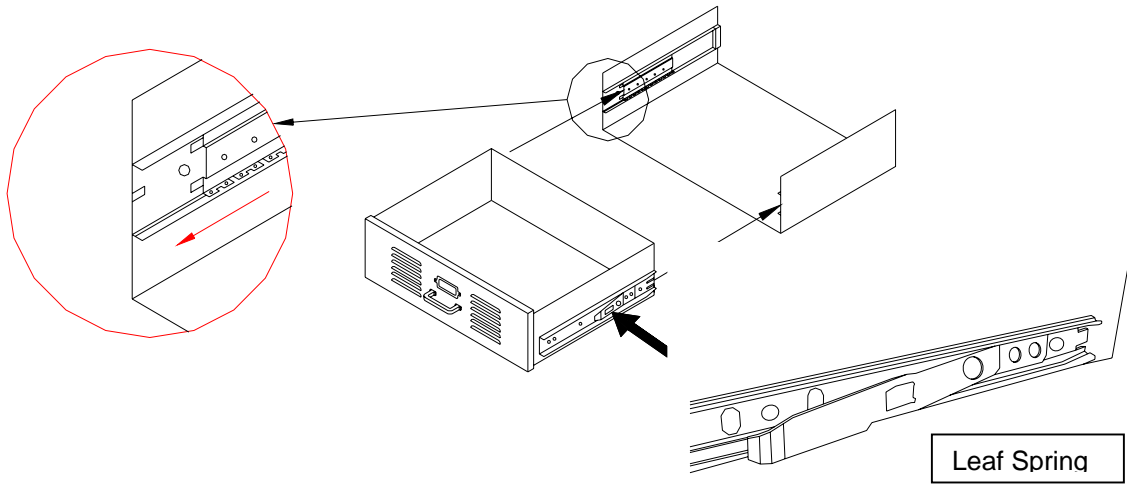
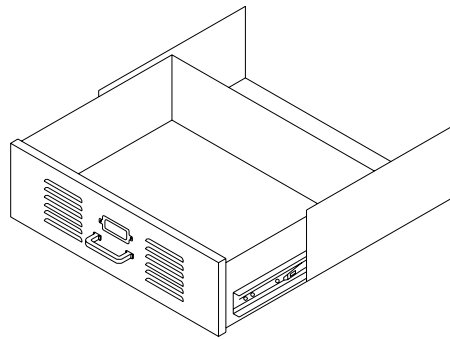


Figure 2



**Drawer Removal:**

1. Push in the leaf spring (located at the arrow point in Figure 3) on the both sides of drawer glides. See Figure 3.
2. Slowly pull the drawer out at level position as Figure 4.

Figure 3

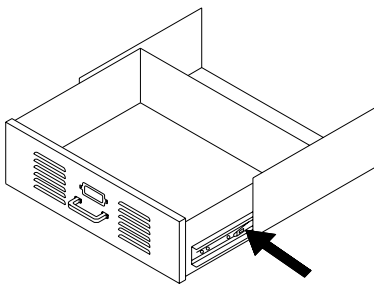
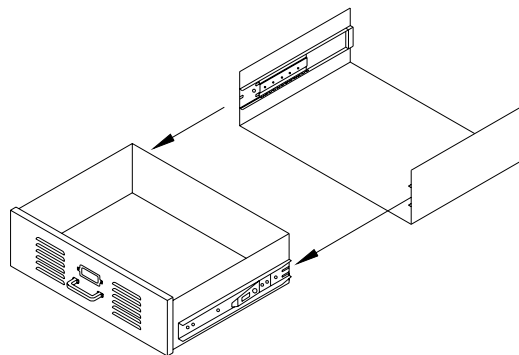


Figure 4



**Care Instructions:**

- Dust often using a soft, lint free cloth. A damp cloth may be used.
- Dry thoroughly.
- Furniture polishes and household cleaners are not recommended.