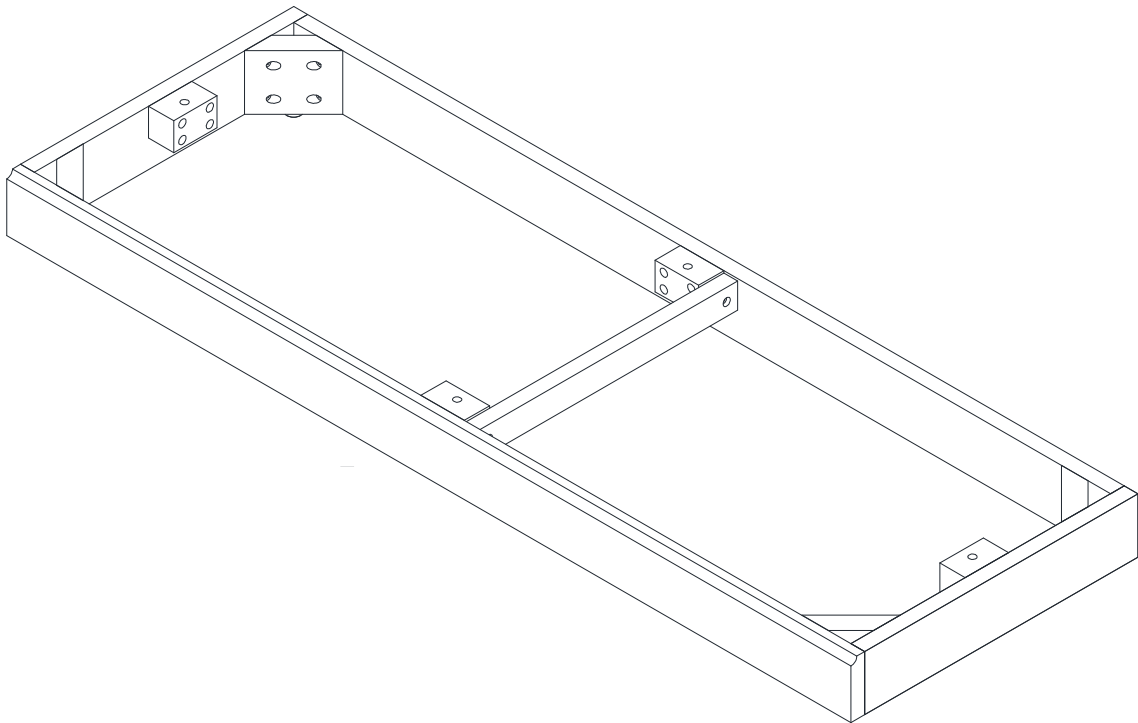


## STACK ME UP MEDIA BASE

### ASSEMBLY INSTRUCTIONS

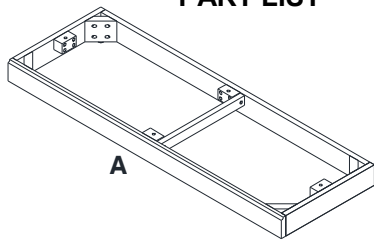


## STACK ME UP MEDIA BASE

### PRE-ASSEMBLY:

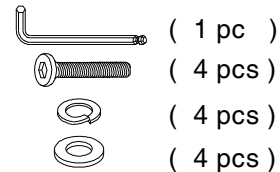
- For your safety and ease, assembly by two adults is recommended.
- Please read all instructions before beginning assembly. The illustrations provided allow for easier assembly when used in conjunction with the assembly instructions.
- Remove all parts and hardware from box and lay out on a carpeted or scratch-free work surface. The shipping box provides an ideal work surface. Do not dispose of any contents until assembly is completed to avoid accidentally discarding small parts or hardware.
- Use the parts and hardware lists to identify and separate each of the pieces included prior to starting assembly.
- Note: DO not fully tighten the bolts until all parts are in place. Failure to follow these instructions may cause the bolts to misalign during assembly.
- Do not use power drill as it may cause cracking.

### PART LIST



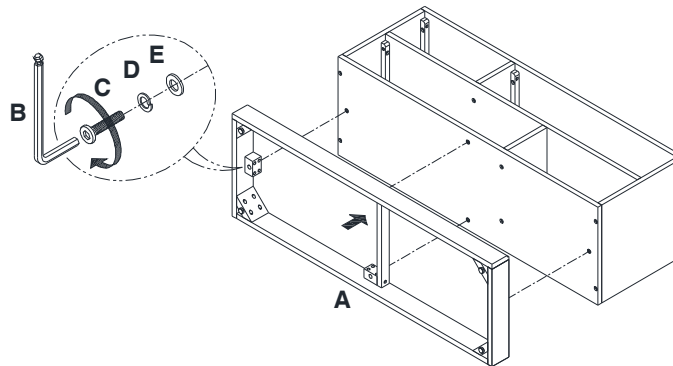
- B.** Allen key
- C.** Bolt (1/4" x 38mm)
- D.** Spring washer (1/4")
- E.** Flat washer (1/4")

### HARDWARE LIST

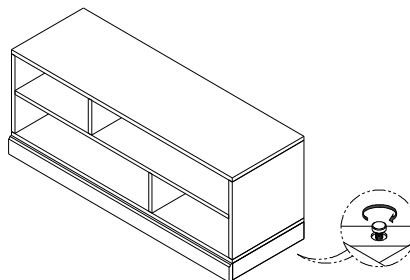


### ASSEMBLY INSTRUCTIONS:

1. Place Stack Me Up Media Stand (sold separately) onto the Base (A). Insert 4 Bolt (C) with Spring washers (D) and Flat washers (E) through pre-drilled holes located on bottom panel of the media stand, and into the insert nuts located on wooden blocks of the base. Tighten with Allen key (B). Adjust levelers located on bottom of the base to keep unit level as needed.



2. Adjust levelers located on bottom of the base to keep unit level as needed.



### CARE INSTRUCTIONS:

- Dust often using a clean, soft, dry lint-free cloth.
- Blot spills immediately, and wipe with a clean, damp, cloth.
- We do not recommend the use of chemical cleansers, abrasives, or furniture polish on our lacquered finish.