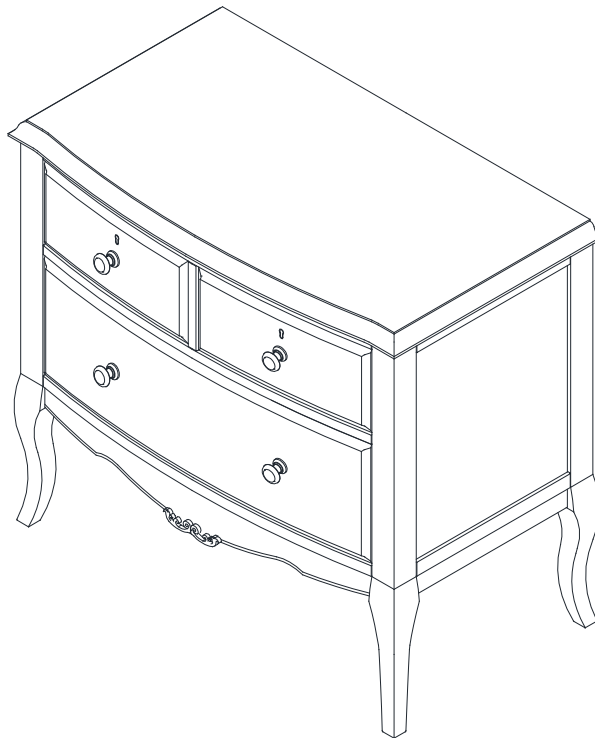




LILAC BEDSIDE DRESSER

ASSEMBLY INSTRUCTION



PRE-ASSEMBLY:

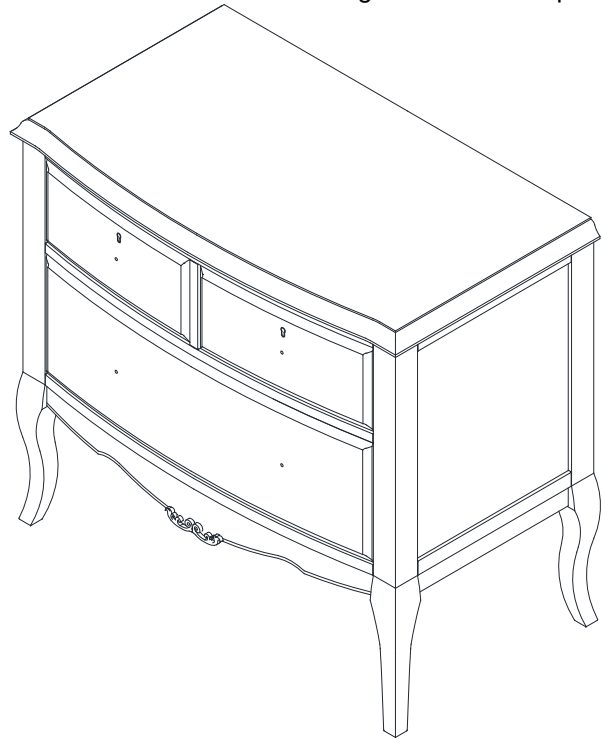
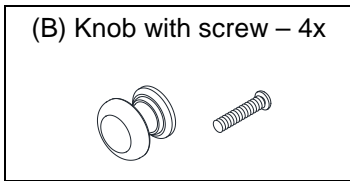
- Please read all instructions before beginning assembly.
- For your safety and ease, assembly by two adults is recommended.
- Remove all parts and hardware from box and lay out on a carpeted or scratch-free work surface, as this will avoid damaging any parts during assembly. The shipping box provides an ideal work surface.
- Do not dispose of any contents until assembly is completed to avoid accidentally discarding small parts or hardware.
- Use the parts and hardware lists to identify and separate each of the pieces included.
- Note: Do not fully tighten all bolts until all parts are in place. Failure to follow these instructions may cause the bolts to misalign during assembly.
- The use of power tools for assembly is not recommended. Power tools can damage hardware or split wood.

Parts Included:

(A) Top frame - 1 pc

Hardware Included:

(B) Knob with screw – 4x



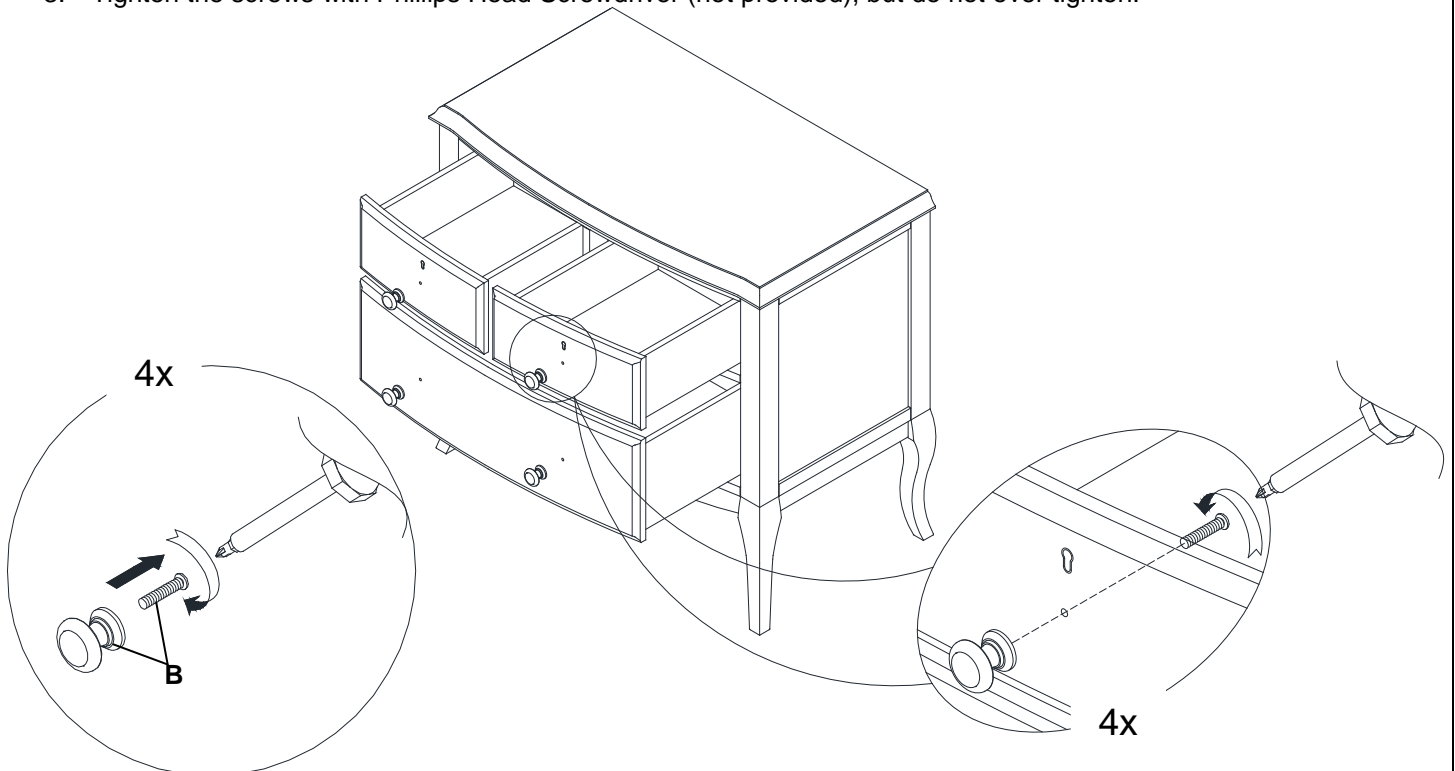
Tools Required (but not included):

Phillips Head Screwdriver



Assembly Instruction Steps:

1. Remove the Screws pre-attached from the Knobs (B).
2. From inside the drawer, insert the Screw (from step # 1) through the pre-drilled hole of the drawer front. Then attach the Knob (B) to the protruding screw from outside the Drawer front, as seen in the illustration below.
3. Tighten the screws with Phillips Head Screwdriver (not provided), but do not over tighten.



CARE INSTRUCTIONS:

- Dust often using a clean, soft, dry and lint-free cloth.
- Blot spills immediately and wipe with a clean, damp, cloth.
- We do not recommend the use of chemical cleansers, abrasives or furniture polish on our lacquered finish.
- Hardware may loosen over time. Periodically check to make sure all connections are tight.
Re-tighten if necessary.

www.pbteen.com