

**PB**  
teen

# Hampton Basic Queen Bed

**PRE-ASSEMBLY:**

1. Please read all instructions carefully before beginning assembly.
2. For your safety, assembly by two adults is recommended.
3. Save all packing materials until assembly is complete to avoid accidentally discarding smaller part/ hardware.

**PARTS ENCLOSED:**

- A – Headboard – 1 pc
- B – Footboard - 1 pc
- C - Side rail – 2 pc
- D - Center Rail – 1 pc
- E – Leg – 3 pcs
- F - Roll of 16 connected slats – 2 pcs

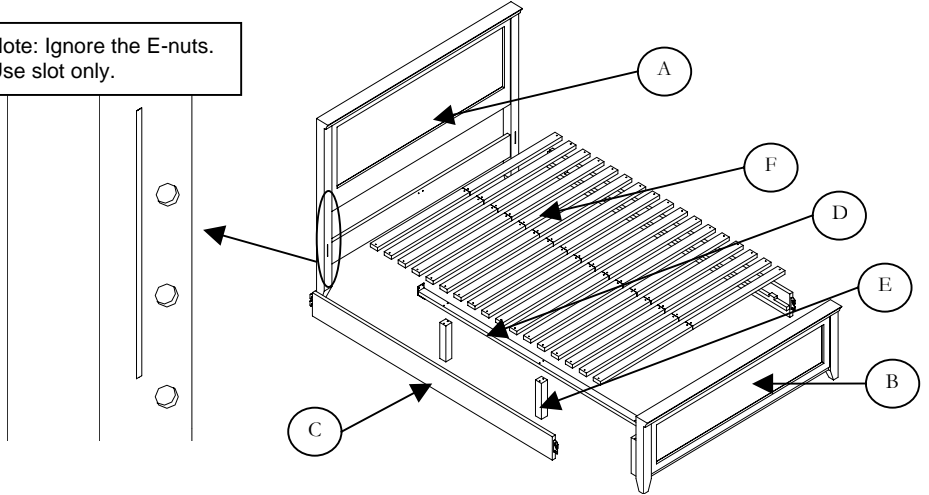
**HARDWARE ENCLOSED:**

- G - L-bracket 45 x 55 x 50 mm – 2 pcs
- H - Phillips head screws M4 x 16 mm – 8 pcs
- I - Rattan screw M4 x 45 mm – 6 pcs
- J - Rattan screw M4 x 30 mm – 64 pcs

**TOOLS REQUIRED BUT NOT INCLUDED:**

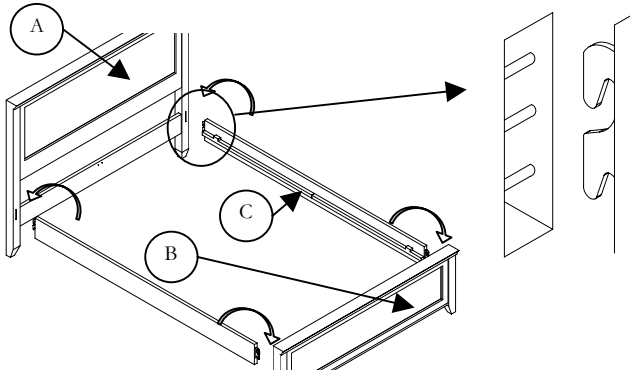
- Phillips Head Screwdriver

Note: Ignore the E-nuts.  
Use slot only.

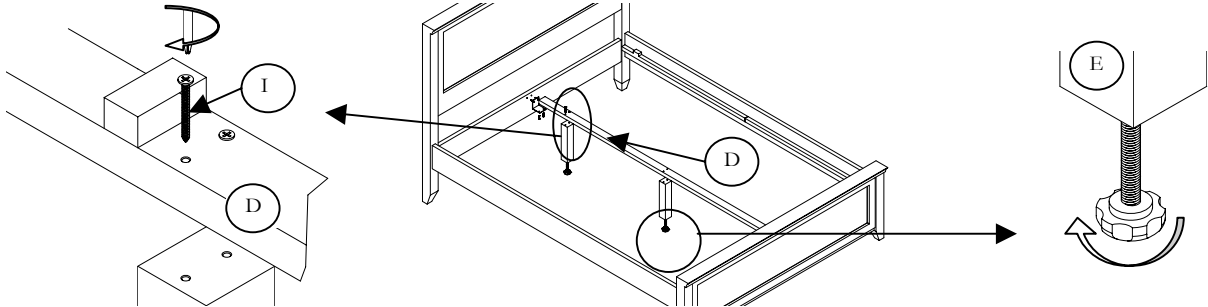


**ASSEMBLY:**

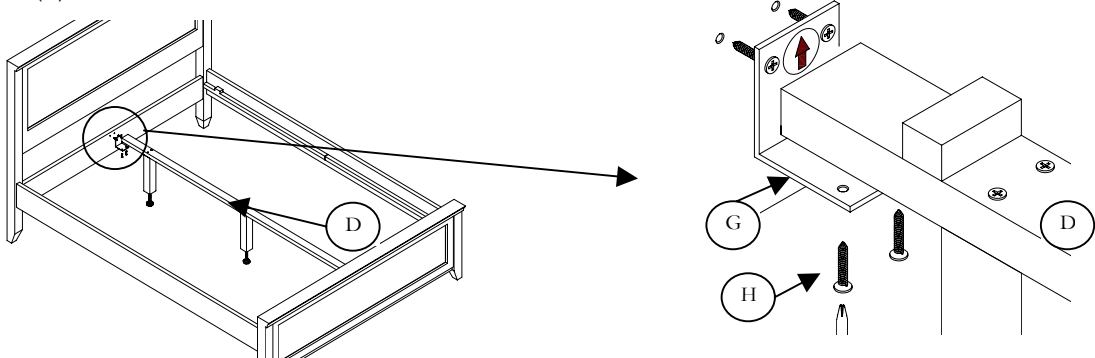
1. The slot is designed with two adjustable levels. At your desired height, hold Side Rail (C) up to slots on the legs of the Headboard (A) and insert the hooks of each Side Rail (C) into the slots. Push down firmly on the top of Side Rails (C) until they seat themselves over the pins inside the leg slots as shown. Repeat the same procedure with the Footboard (B).



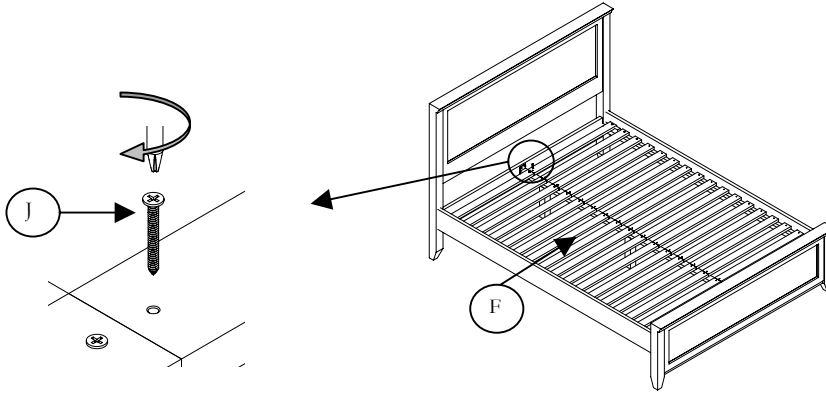
2. Fasten the Leg (E) to the Center Rail (D) with Rattan screw (I). The Leg (E) may not attach to the ground. Determine which end does not touch the ground correctly and adjust the leveler at the Leg (E) until the Leveler sits firmly on the ground.



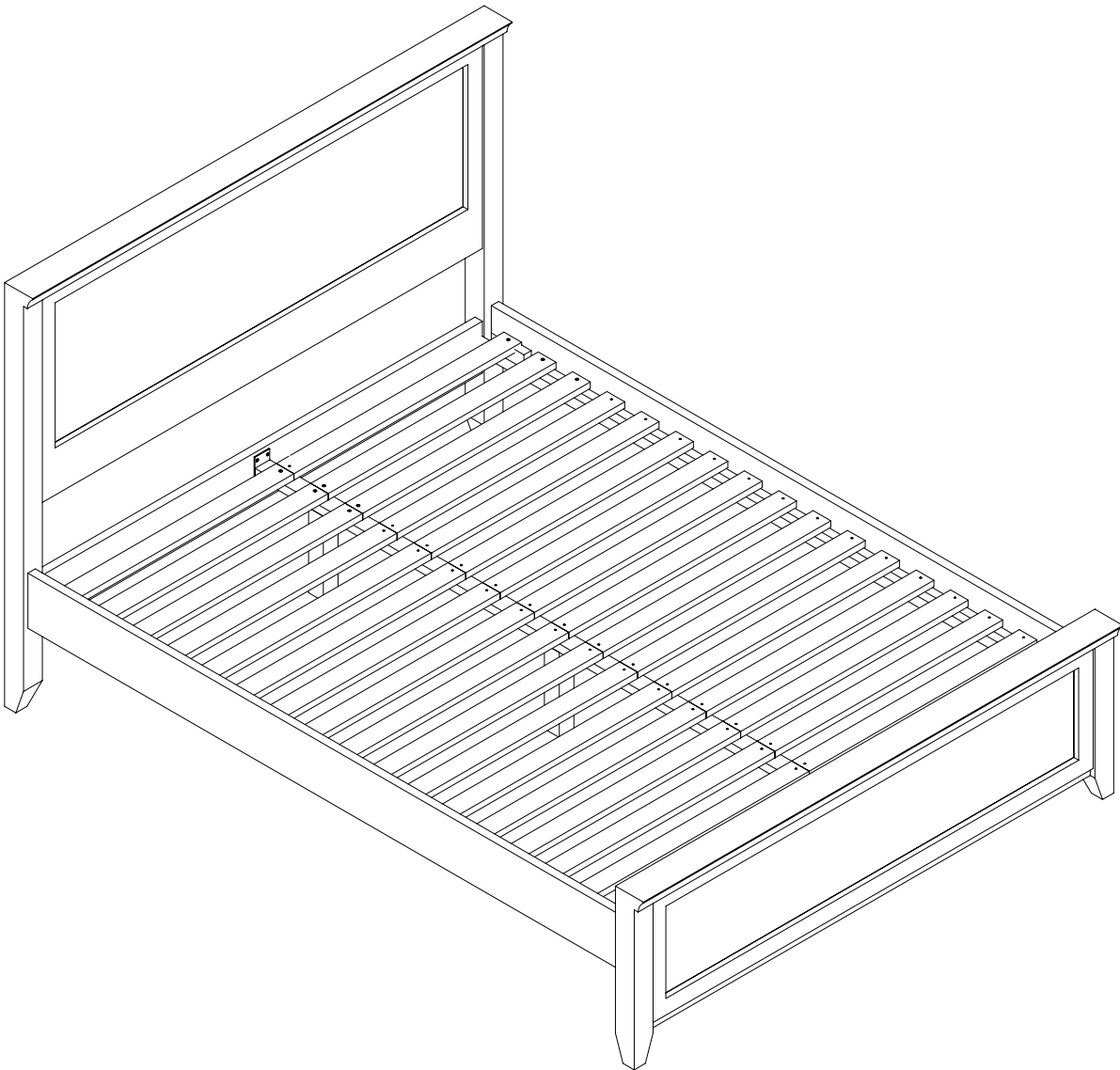
3. Locate the up arrow label on L bracket (G) and fasten the L-bracket to the Center Rail (D) with Phillips head screw (H) as shown.
4. Once both the Legs and L brackets are attached to the center rail, the rail will then be secured to the headboard and footboard. Position the center rail so that the screw holes of the L-bracket align with the pre-drilled holes located in the center of Headboard & Footboard. Use Phillips head screw (H) to fasten the connection for both ends with screwdriver.



5. Lay the Slats (F) between the Side Rails (C) and use the Rattan screws (J) to fasten the slat attachment with screwdriver.



6. Retighten all bolts and screws to make sure all secure and the bed structure is rigid. We recommend all bolts and screw be checked from time to time for safety.
7. Assembly is complete.



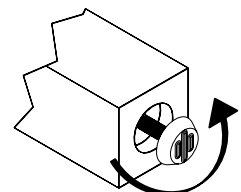
Due to uneven floor the furniture may not sit level causing it to wobble. If the piece wobbles, determine which corner does not touch the ground correctly. With two people follow these steps:

- Carefully elevate the item slightly to provide access to the levelers attached to the bottom.
- Turn the levelers in a counter-clockwise direction.
- Gently set down the piece and check stability.

Repeat steps until the furniture sits firmly on the ground.

**Care Instruction:**

- Dust with a clean, soft cloth.
- Avoid the use of chemicals and harsh cleaning agents.



Thank you for your purchase  
[www.pbteen.com](http://www.pbteen.com)