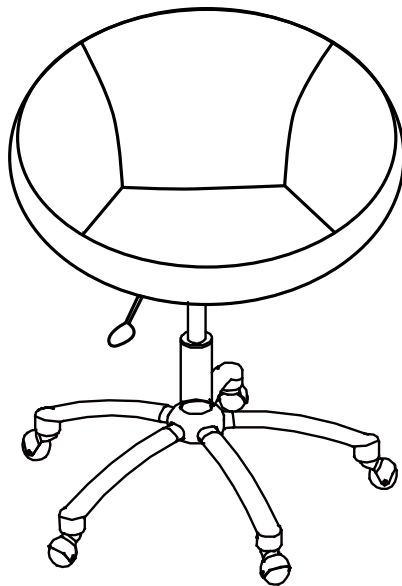




Egg Desk Chair

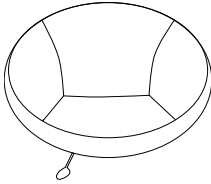
PRE-ASSEMBLY:

- Please read all instruction before beginning assembly. The illustrations provided allow for easier assembly when used in conjunction with the assembly instructions.
- Remove all parts and hardware from box and lay out on a carpeted or scratch-free work surface, as this will avoid damaging any parts during assembly. The shipping box provides an ideal work surface. Do not dispose of any contents until assembly is completed to avoid accidentally discarding small parts or hardware.
- For your safety and ease, adult assembly by two people is recommended.
- Save all packing materials until assembly is complete to avoid accidentally discarding smaller parts or hardware.
- Use the parts and hardware lists to identify and separate each of the pieces included prior to starting assembly.
Note: Do not fully tighten all bolts until all parts are in place. Failure to follow these instructions may cause the bolts to misalign during assembly.
- If using power tools to aid in assembly please use it carefully, not over tighten. Power tools can damage hardware or split wood.



PARTS ENCLOSED:

(A) Seat – 1pc



(B) Chair Base – 1pc



(C) Seat Plate – 1pc



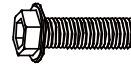
(D) Gas Lift Post – 1pc



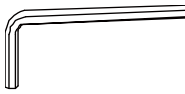
(E) Casters – 5pcs



(F) Bolt M8X1”L – 4pcs

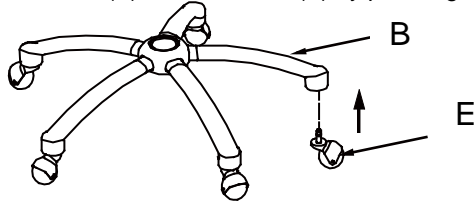


(G) Allen key – 1pc

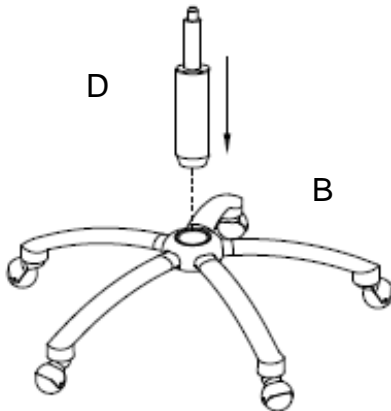


ASSEMBLY INSTRUCTIONS:

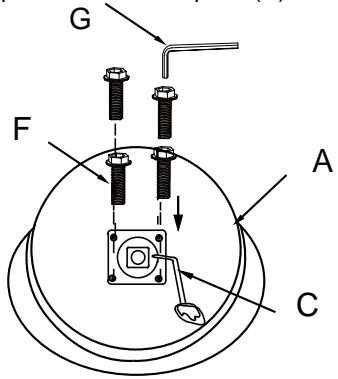
Step1. Insert Casters (E) to Chair Base (B) by pressing firmly until casters locked.



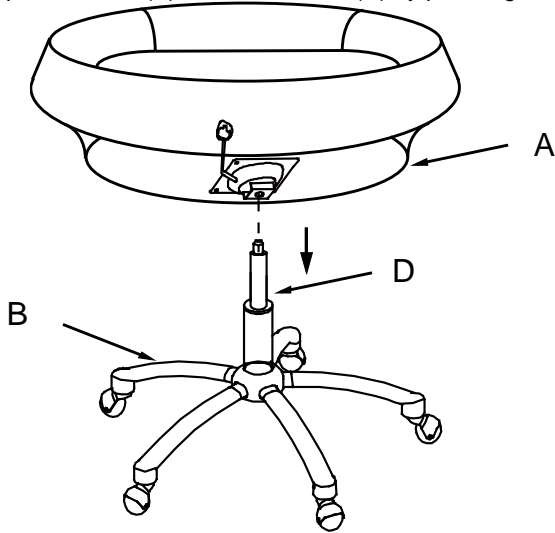
Step2. Insert Gas Lift Post (D) into Chair Base (B) by pressing firmly.



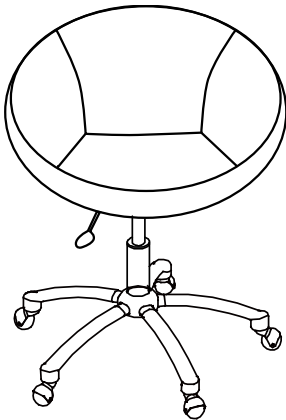
Step3. Attached seat plate (C) to Seat (A) using Bolts (F) with Allen Key (G).



Step4. Put Seat (A) to Gas Lift Post (D) by pressing firmly with Seat plate (C).



Step5. Assembly completed.



Care Instructions:

- Hardware may loosen over time. Periodically check to make sure all connections are tight. Re-tighten if necessary.
- Dust often using a clean, soft, dry and lint-free cloth.
- To clean, slightly moisten cloth with water. (A damp cloth holds dust and prevents scratching; dry thoroughly).

www.pbteen.com