



Oxford Captain Bed Assembly Instruction

Pre-Assembly:

- Please read all instructions before beginning assembly.
- For your safety and convenience, assembly by two adult is recommended.
- Carefully set out and identify all part hardware prior to assembly.
- Save all packing materials until assembly is complete to avoid accidentally discarding small part or hardware.

Parts Enclosed in Box 1:

- (1) Headboard - (A)
- (1) Footboard - (B)

Parts Enclosed in Box 3:

- (1) Storage - (J)
- (1) Tray - (K)

Hardware Enclosed in Box 3:

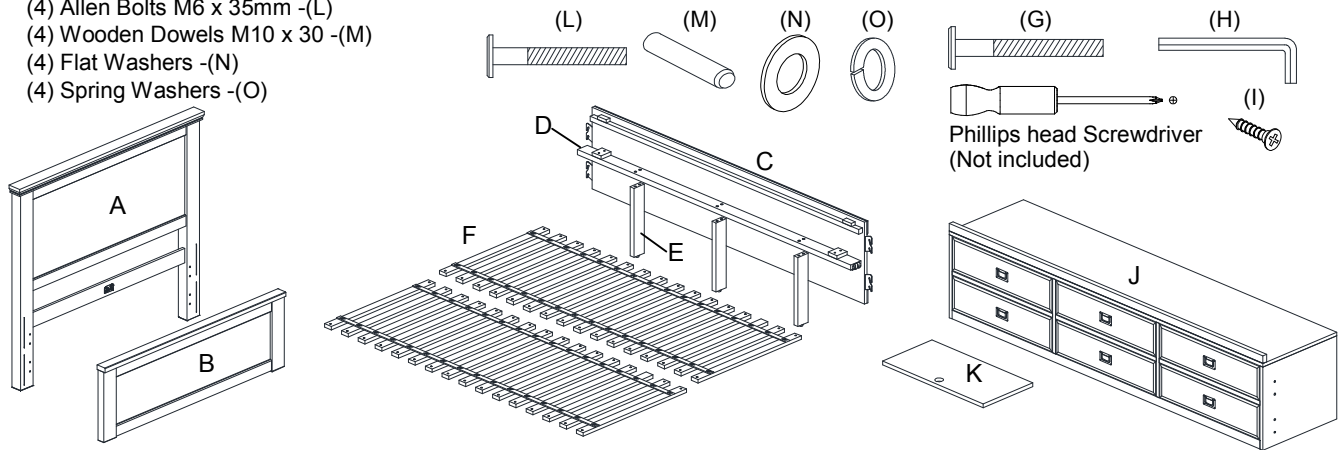
- (4) Allen Bolts M6 x 35mm -(L)
- (4) Wooden Dowels M10 x 30 -(M)
- (4) Flat Washers -(N)
- (4) Spring Washers -(O)

Parts Enclosed in Box 2:

- (1) Side rail -(C)
- (1) Mid Beam (Queen only)-(D)
- (3) Leg supports (Queen only)-(E)
- Slats -(F)
 - Queen (2) Roll
 - Full/Twin (1) Roll

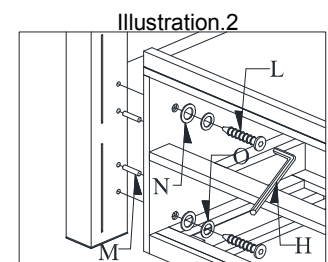
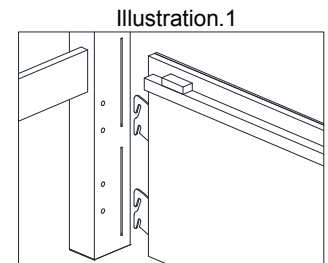
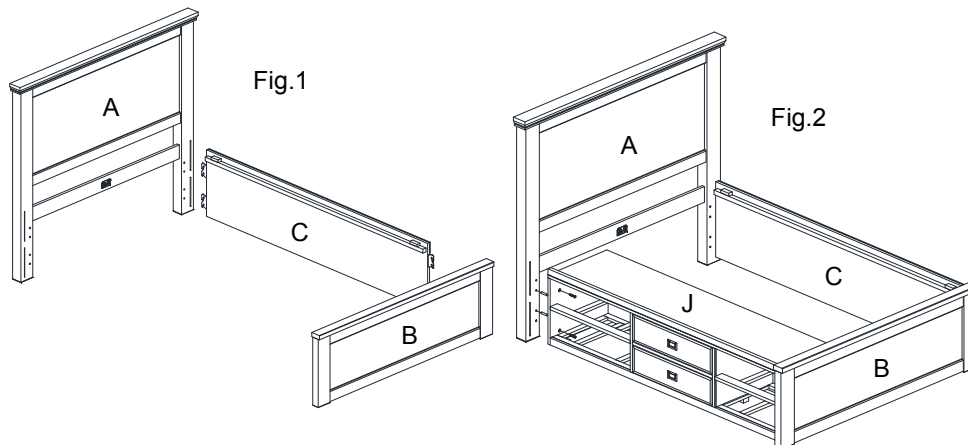
Hardware Enclosed in Box 2:

- (6) Allen Bolts M6 x 45mm (Queen only)-(G)
- (1) Allen Key M4-(H)
- Screws -(I)
 - Full 8 x 1 1/2" (32)
 - Twin 8 x 1 1/4" (32)
 - Queen 8 x 1 1/4" (64)

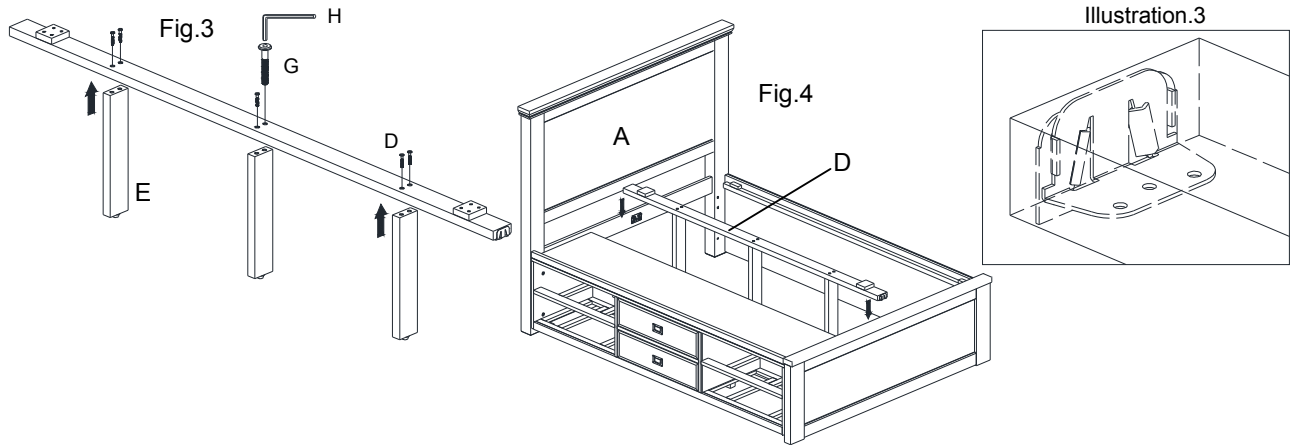


To Assemble:

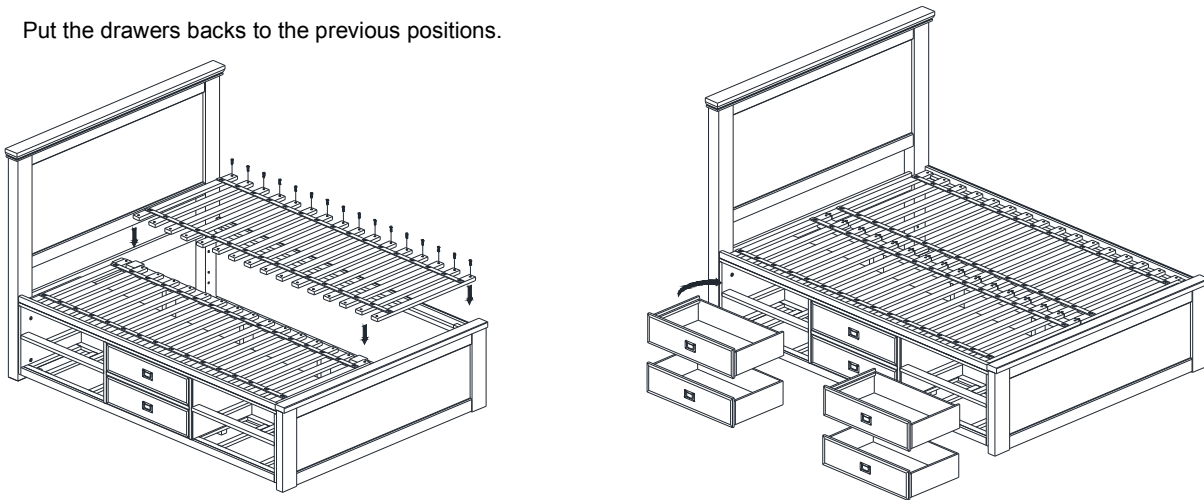
1. Attach side rails (C) to the headboard (A) and footboard (B) by inserting hooks into the corresponding slots. Side Rail (C) can be attached on either the left or right side. Ensure connections are secure as shown in fig. 1, illustration 1.
2. Insert wooden dowels (M) into the holes on the headboard (A) and footboard (B). Remove the end drawers from the storage (J). Align and place storage (J) by inserting the wooden dowels (M) in the headboard (A) and footboard (B) into the holes in the side panels of the storage (J), as shown in fig. 2.
3. Place spring washers (O), flat washers (N) onto the Allen Bolts (L) and into the holes on the side panels of the storage (J). Tighten with the Allen Key (H), as shown in illustration 2.



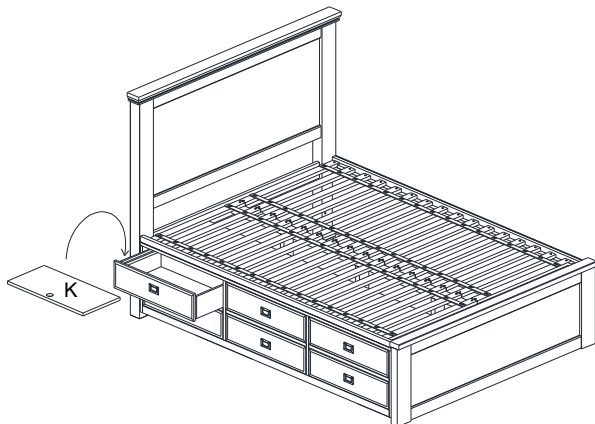
- Attach the leg supports (E) to the mid beam (D) by aligning the holes on the mid beam (D) with the inserts in the leg supports (E), and securing them with Allen Bolts (G), by tightening with the Allen Key (H), as shown in fig 3.
- Attach the mid beam (D) to the headboard (A) and footboard (B) by placing it onto the bed fitting as shown in fig. 4, illustration 3.
Note: Twin & Full Size do not have a mid beam. Please skip step 5.



- Roll out the slats (with connecting band on top). Lay the slats over mid beam (D) and side rails. Insert the screws (I) through the holes on the end of the slats and tighten with Philips Head screwdriver (Not Included).
- Put the drawers back to the previous positions.



- Put the tray (K) into the top drawer near the headboard.



Care Instructions:

- Avoid direct sunlight and excessive temperatures.
- Dust often using a clean, soft, dry and lint-free cloth.
- Waxing is not recommended on lacquered finish.
- Please wipe up all spills immediately.