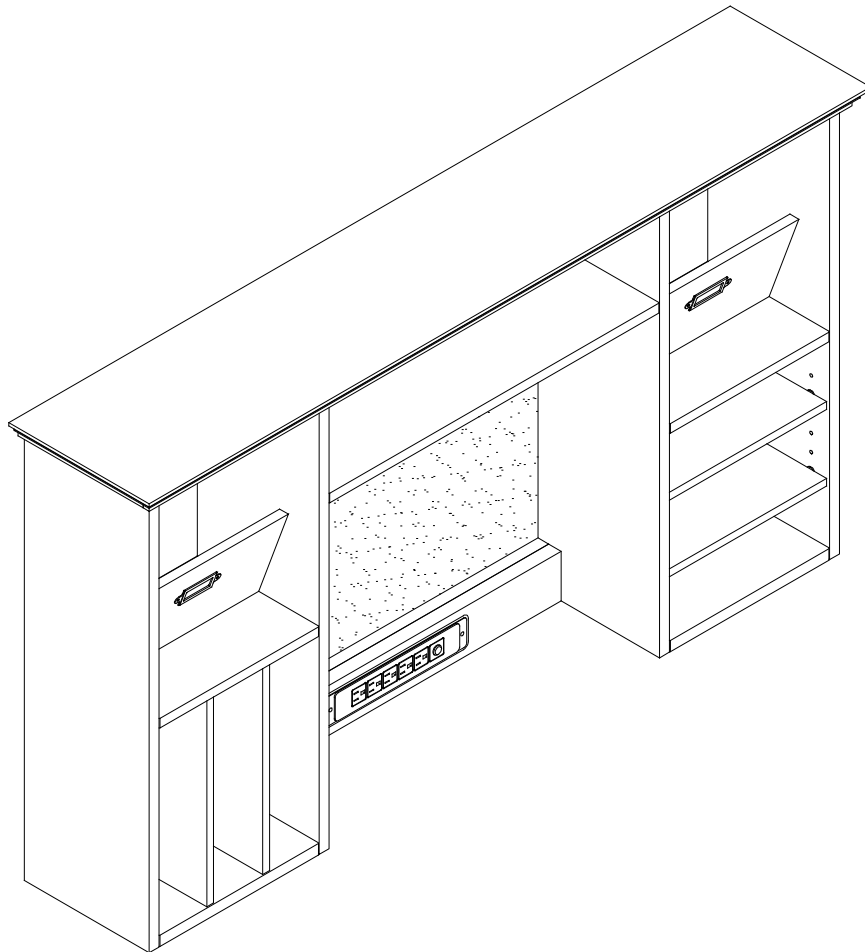


Hampton Smart Desk Hutch

Assembly Instruction



IMPORTANT SAFETY INSTRUCTIONS:

- Please read all all instruction carefully before assembling.
- For your safety, assembly by two or more adults is strongly recommended.
- Keep instructions for future use.
- Use only vendor supplied hardware to assembly. Using unauthorized hardware could jeopardize the structural integrity of the item.

PRE- ASSEMBLY:

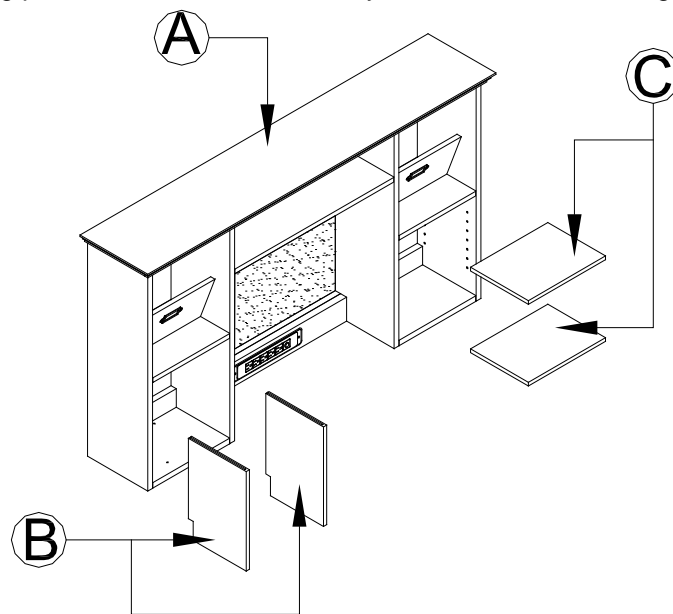
- Remove all parts and hardware from the box and place them on a carpeted or scratch-free work surface. The shipping box provides an ideal work surface.
- To avoid accidentally discarding small parts or hardware, please do not dispose of any contents until assembly is complete.
- Two people are recommended for your safety and ease of assembly.
- Prior to starting assembly, use the parts and hardware lists to identify and separate each of the pieces included.
- The illustrations provided allow for easier assembly when used in conjunction with the assembly instructions.
- Note: Do not fully tighten any bolts until all parts are in place. Failure to follow these instructions may cause the bolts to misalign during assembly.
- Please use caution if using power tools to aid in assembly. Power tools can damage hardware or split the wood.

PARTS INCLUDED:

A – Hutch (x1)

B – Partition panel (x2)

C – Adjustable shelf (x2)



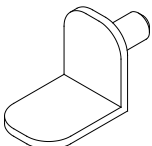
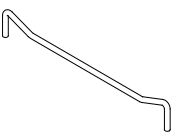
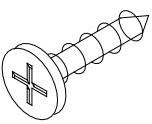
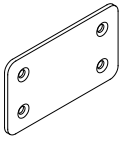
HARDWARE INCLUDED:

D – Shelf Pin

E – Stell Wire

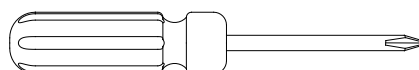
F – Phillips head screw

G – Mending Plate

D	E	F	G
			
5x13x16x1.5 (mm)	164xΦ4x23 (mm)	7x19 (mm)	70x40x2 (mm)
8 pcs	4pcs	8pcs	2pcs

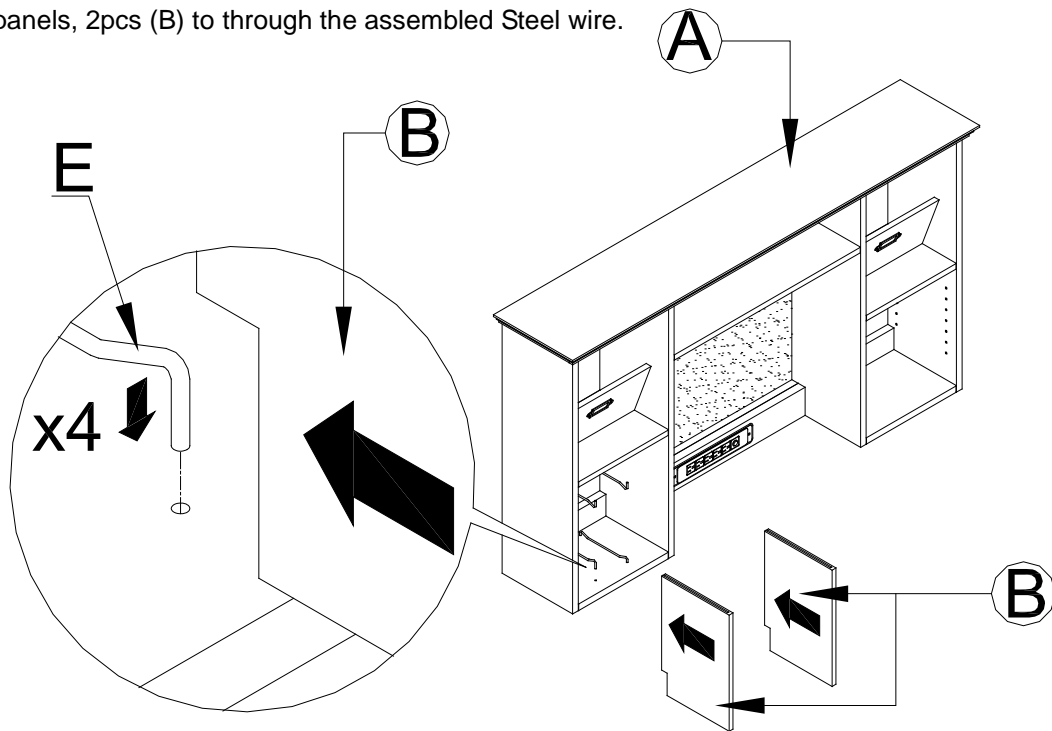
TOOLS REQUIRED (but not included):

Phillips Head Screwdriver

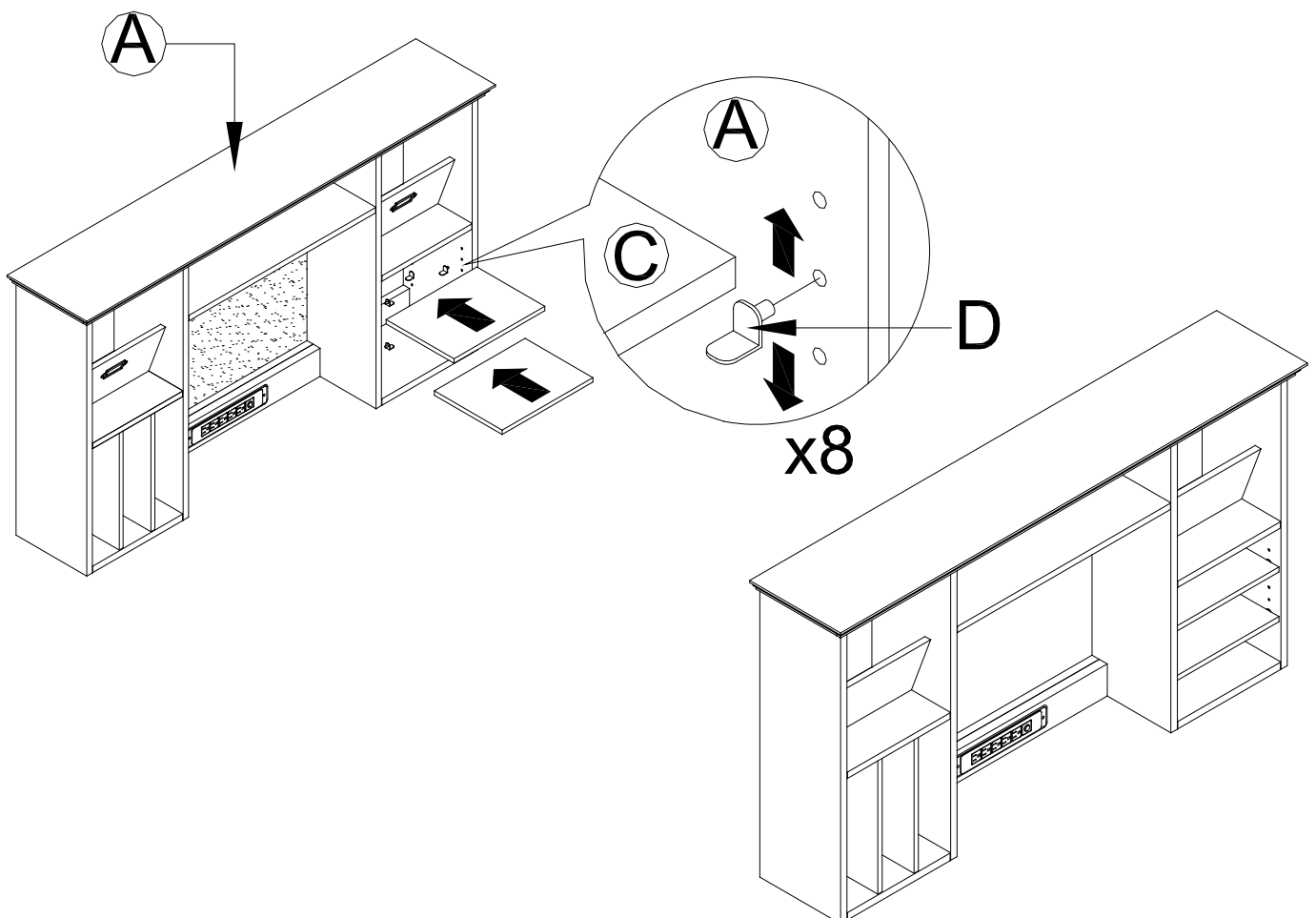


ASSEMBLY INSTRUCTION STEPS:

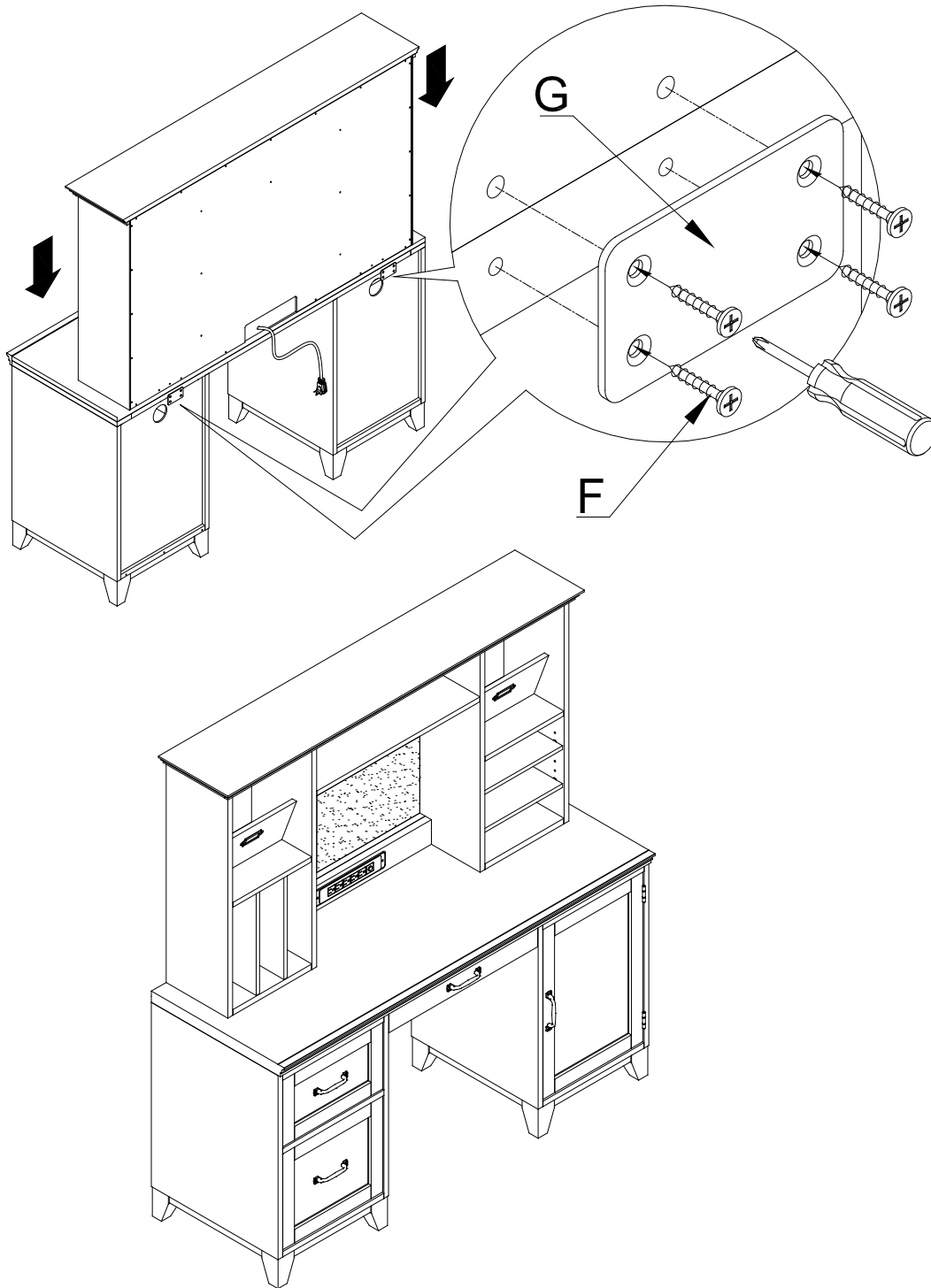
1. Align and insert 4pcs of Steel wire (E) into pre-drilled holes on left side of the Hutch as shown below. Slide the Partition panels, 2pcs (B) to through the assembled Steel wire.



2. Insert Shelf Pins, 8pcs (D) into the pre-drilled holes in the right side of the Hutch. Place Adjustable Shelves 2pcs (C), on the Shelf Pins (D) as shown below.



3. Carefully place assembled Desk Hutch on Desk (sold separately). Align threaded inserts at the back of Desk and Desk Hutch. Attach the two units with the Mending plates 2pcs (G), with Phillips head screws 8pcs (F) as shown below, using a Phillips head screwdriver to tighten all screws as shown below.



CARE INSTRUCTIONS:

- Hardware may loosen over time. Periodically check to make sure all connections are tight. Re-tighten if necessary.
- Dust often using a clean, soft, dry, and lint-free cloth.
- To clean, slightly moisten cloth with water. (A damp cloth holds dust and prevents scratching; dry thoroughly).
- We do not recommend the use of chemical cleaners, abrasives, or furniture polish on the product.