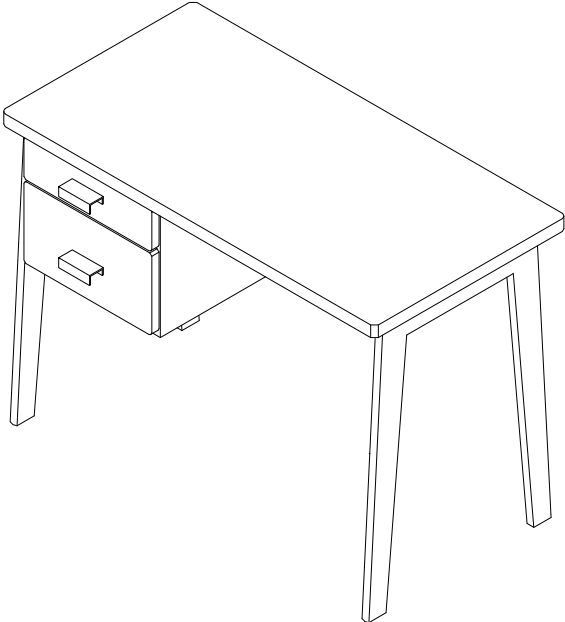


Drawer Cabinet is interchangeable as shown



COOL HOUSE SMALL DESK

Important Safety Instructions:

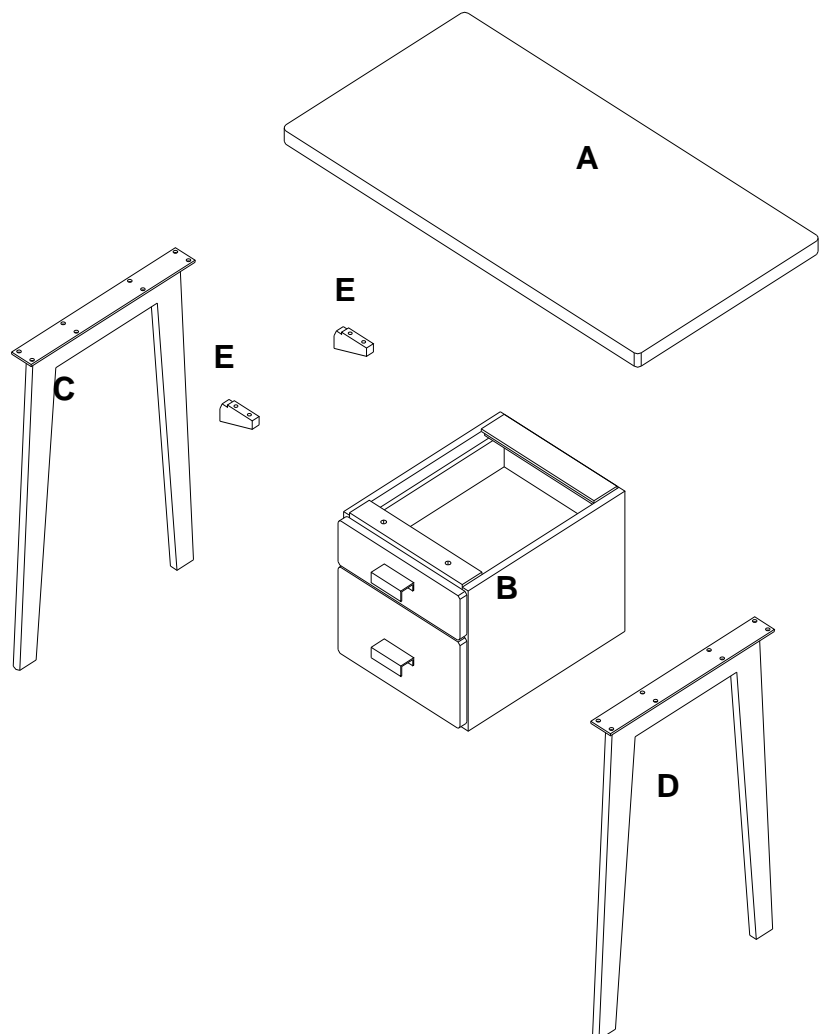
- Please read all instructions carefully before assembling.
- For your safety, assembly by two or more adults is strongly recommended.
- Keep instructions for future use.
- Use only vendor supplied hardware to assemble. Using unauthorized hardware could jeopardize the structural integrity of the item.

Pre-assembly:

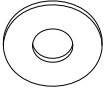
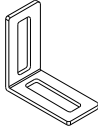
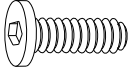
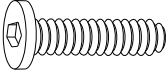
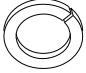
- Remove all parts and hardware from the box and lay out on a clear carpeted or scratch-free work surface, as this will avoid damaging parts during assembly. The shipping box provides an ideal work surface.
- Do not dispose of any packaging or contents of the shipping carton until assembly is completed to avoid accidentally discarding small parts or hardware.
- Use the parts and hardware lists below to identify and separate each of the pieces included.
- The illustrations provided allow for easier assembly when used in conjunction with the assembly instructions.
- The use of power tools to aid in assembly is not recommended. Power tools can damage hardware and split wood.

Parts Included:

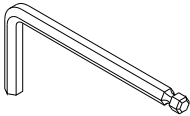
(A)	Top Panel	1x
(B)	Drawer Cabinet (interchangeable)	1x
(C)	Left Iron Frame	1x
(D)	Right Iron Frame (with mounting holes)	1x
(E)	Block	2x



Hardware Included:

(F) Flat Washer  4x	(G) Metal Supporter  2x	(H) Short Bolt  Dia. 1/4" x 5/8" 4x	(I) Long Bolt  Dia. 1/4" x 1" 22x	(J) Spring Washer  4x
---	---	--	---	---

Tools Required (included):

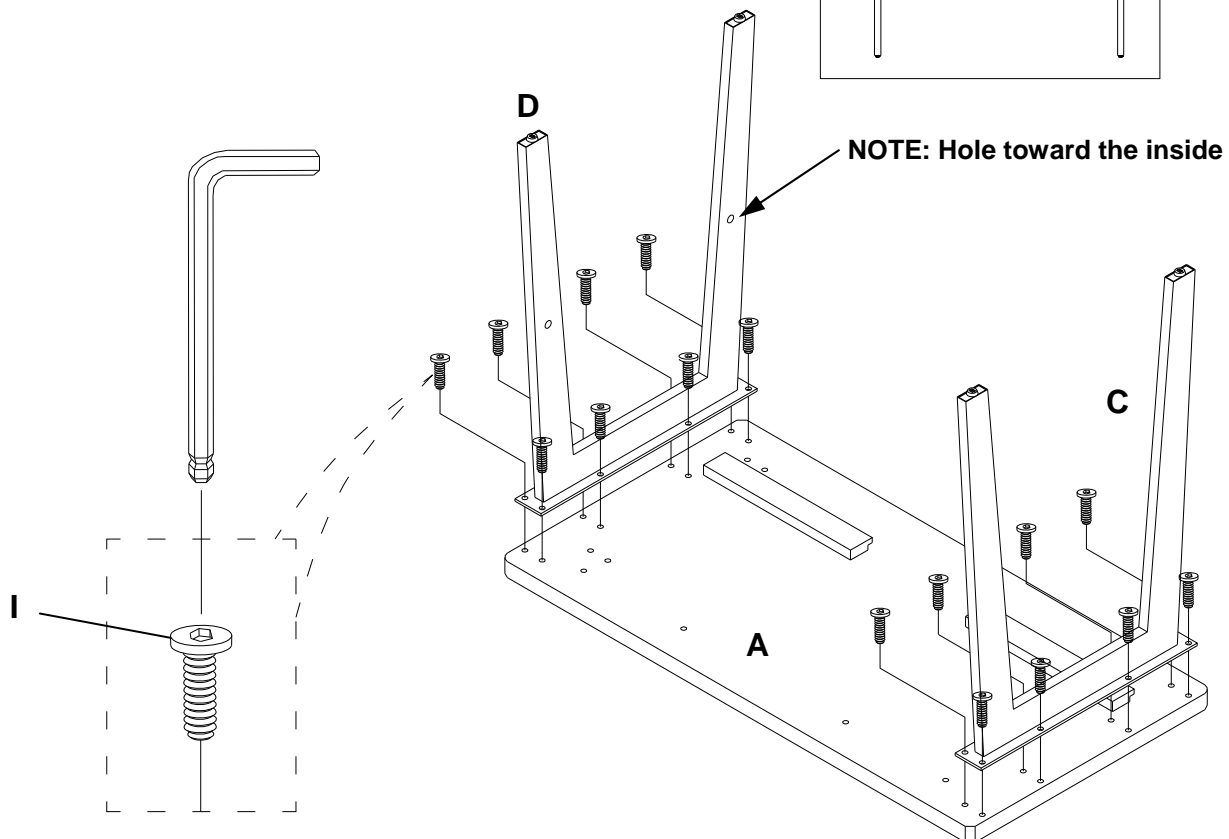
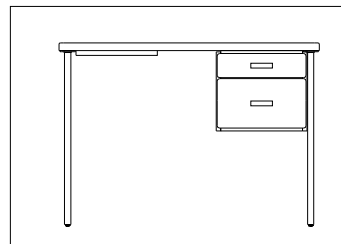


Allen Key 4mm

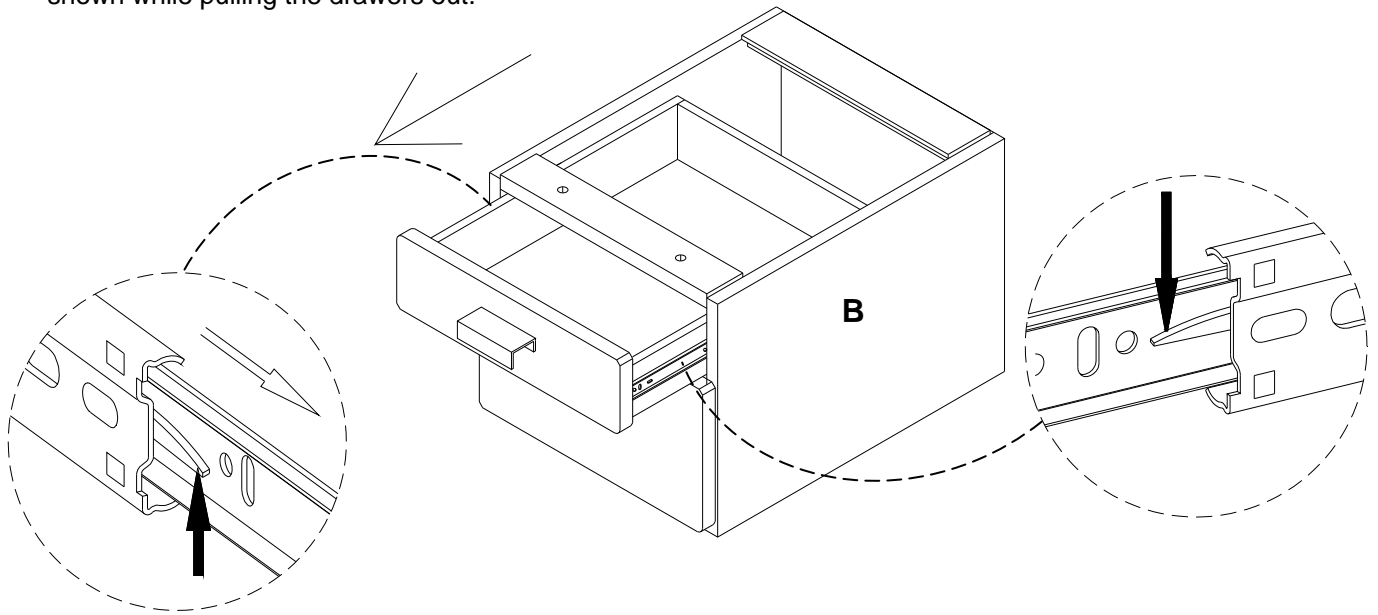
Assemble Instruction Steps:

1. Attach the Left Iron Frame (C) and Right Iron Frame (D) to Top Panel (A) using the Bolt (I). Loosely tighten the bolts. When all bolts are in place, tighten with Allen Key.

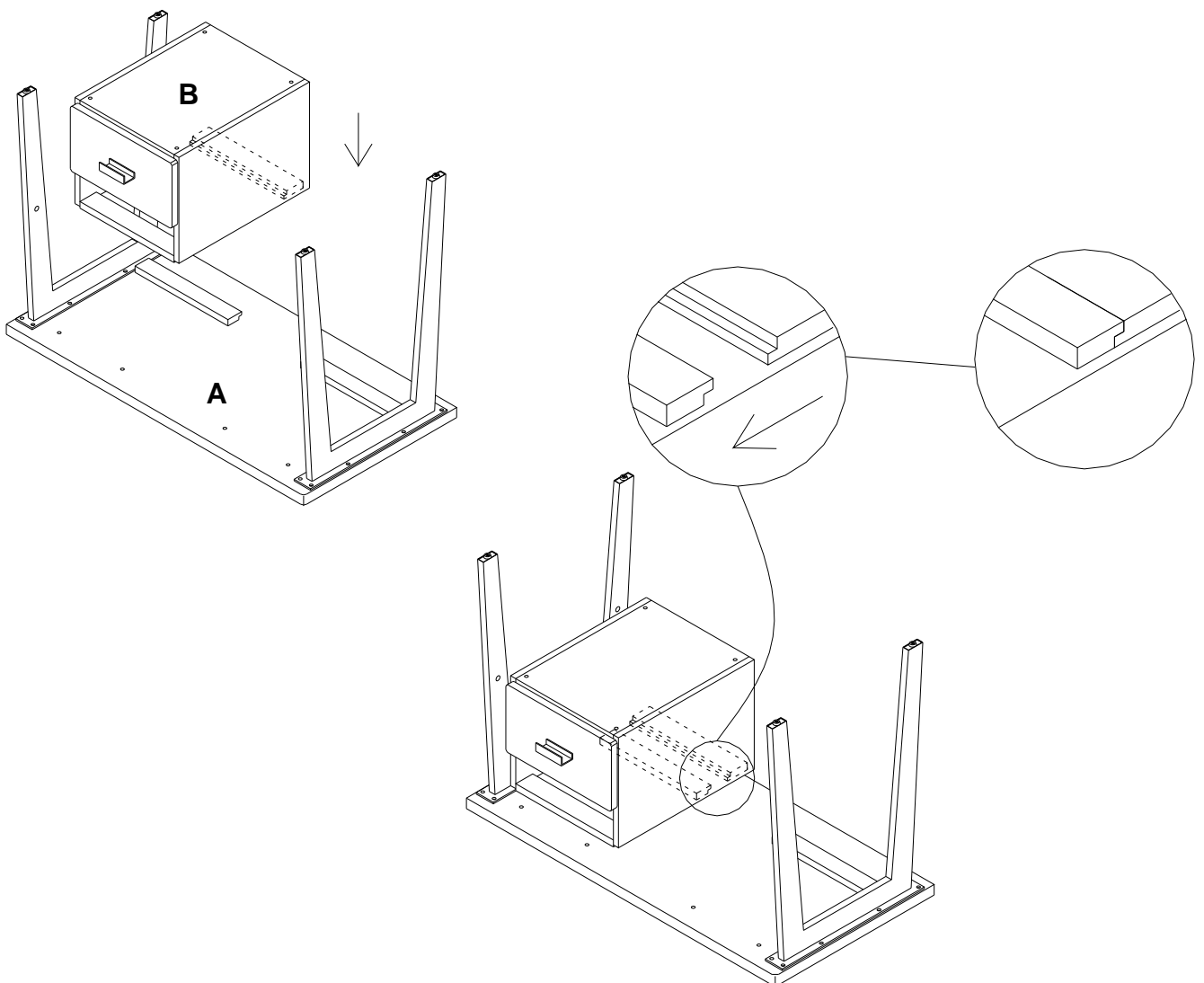
Note: The Drawer Cabinet can be mounted on either side as desired. The illustration shows cabinet mounting on Right side.



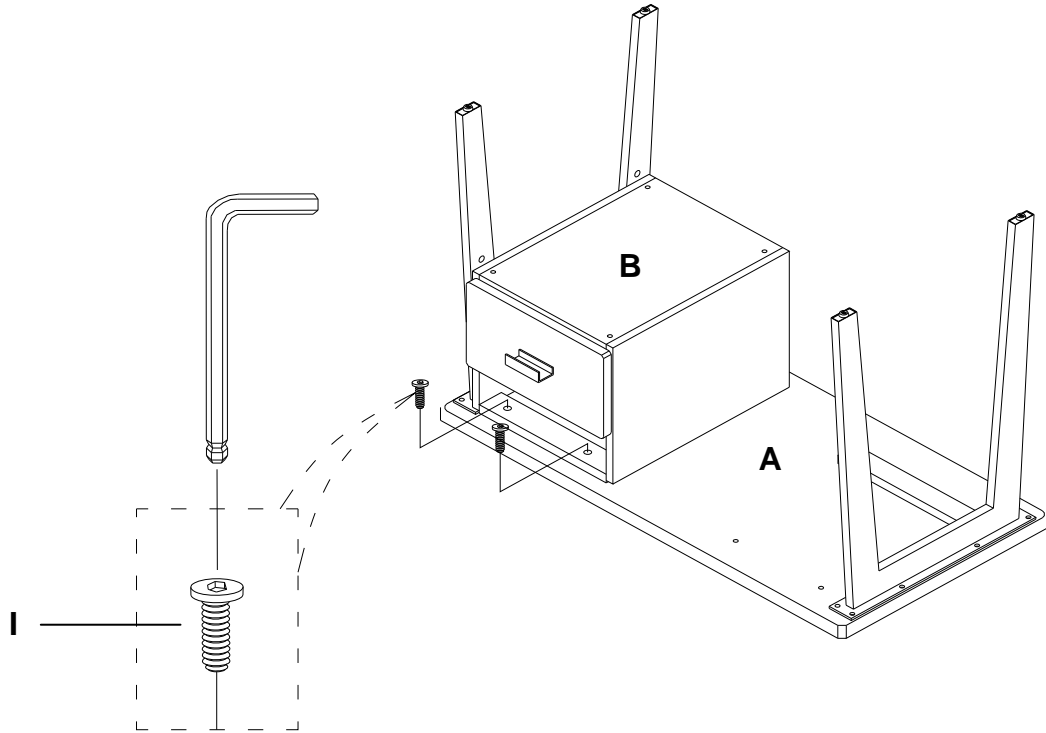
2. Remove the first drawer by pressing the plastic locks on the side drawer slides upwards and downwards as shown while pulling the drawers out.



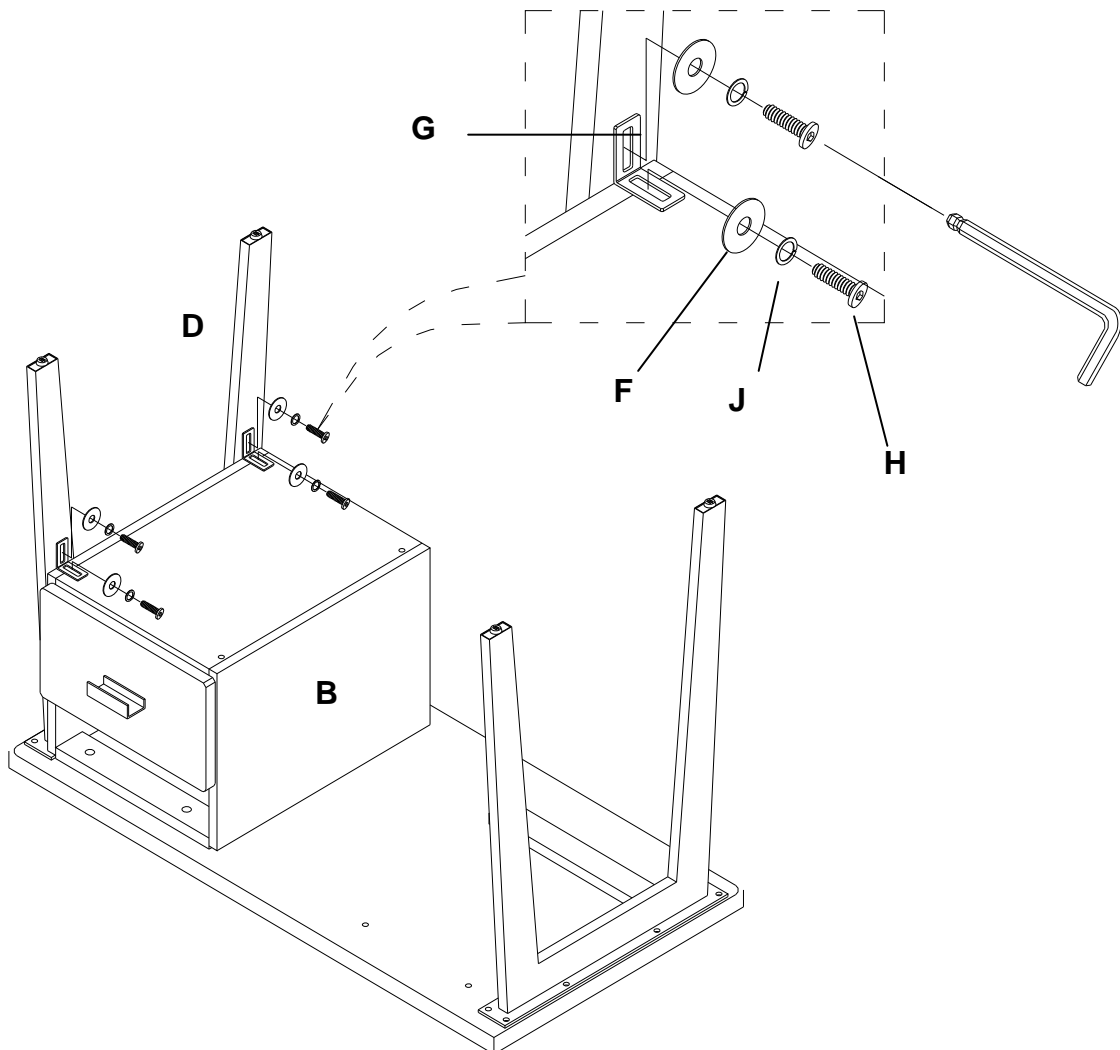
3. Turn Cabinet (B) upside down, and attach the French cleat to the Top Panel cleat (A) as shown below.
Note: Attach the cabinet to Right Iron Frame (D) with mounting holes.



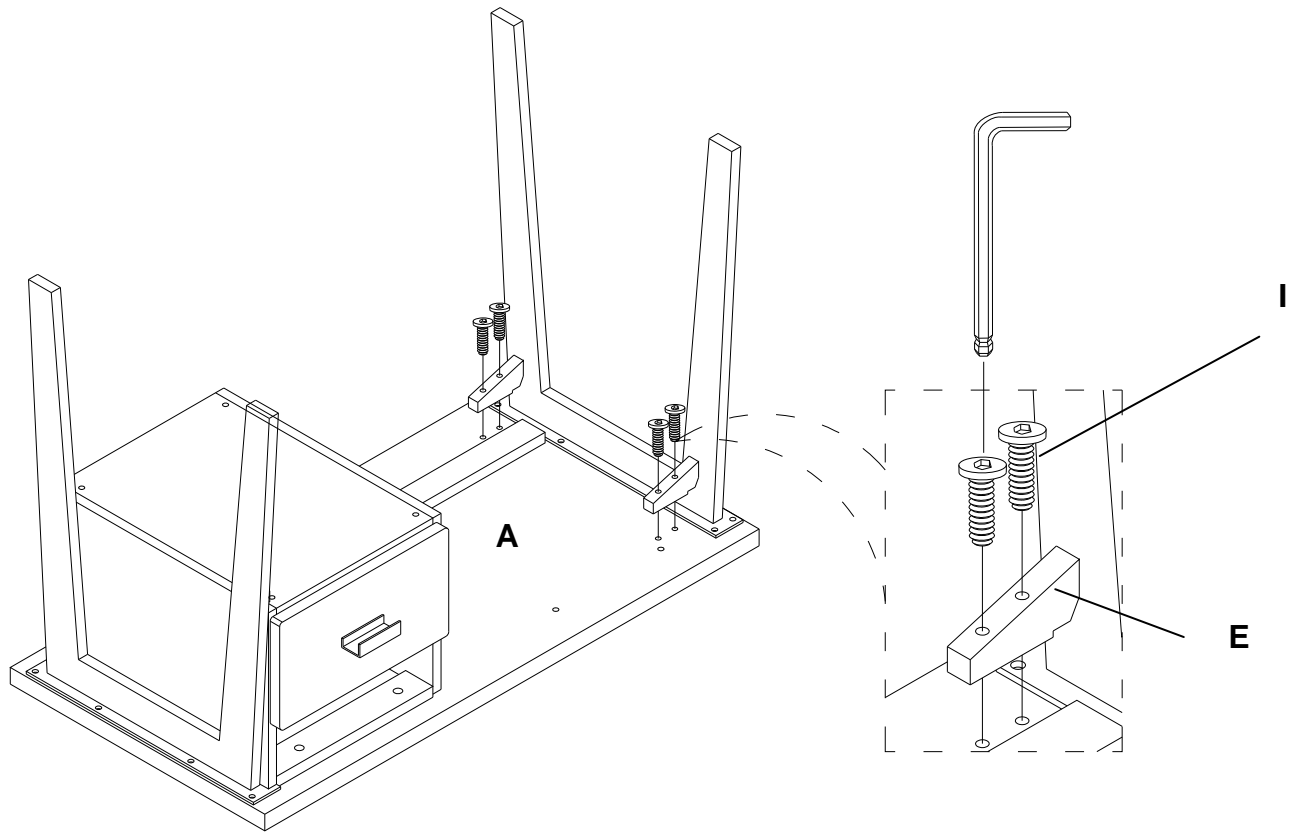
4. Attach the Drawer Cabinet (B) to Top Panel (A) using Bolt (I). Loosely tighten the bolts. When all bolts are in place, tighten with Allen Key.



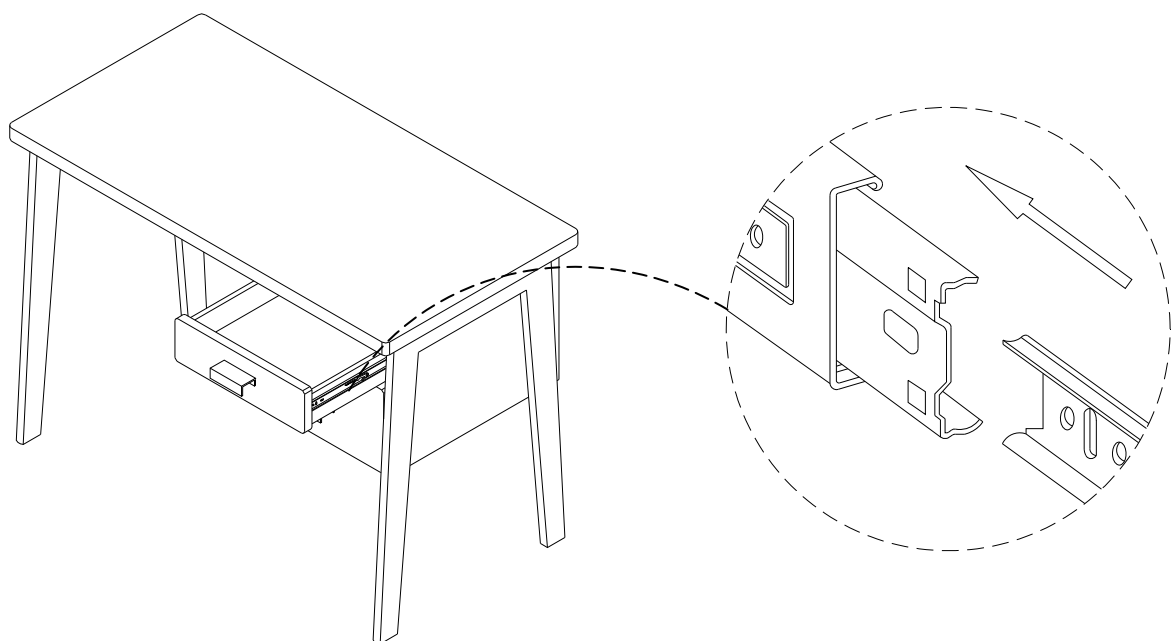
5. Attach the Metal Supporter (G) to Right Iron Frame (D) and Drawer Cabinet (B) using Bolt (H), Spring Washer (J) and Flat Washer (F). Loosely tighten the bolts. When all bolts are in place, tighten with Allen Key.



6. Attach the Block (E) to Top Panel (A) using the Bolt (I). Loosely tighten the bolts. When all bolts are in place, tighten with Allen Key.



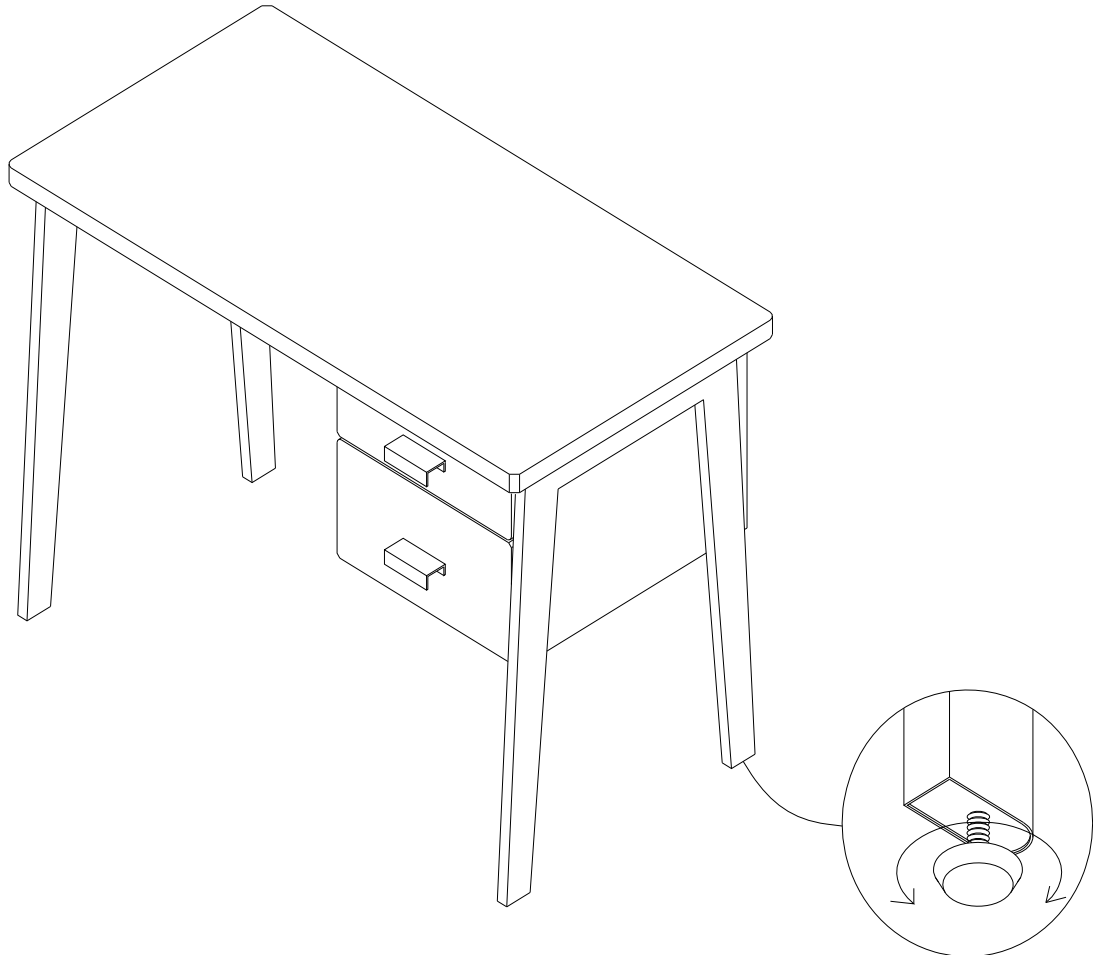
7. Carefully insert the drawers into the cabinet by aligning the slide on drawer side with the slide on cabinet as shown, push drawer into the slide. Push and pull the drawer back and forth a few times until it is locked firmly.



Adjusting the levelers:

Due to an uneven floor, the furniture may not sit level causing it to wobble. If the furniture wobbles, determine which corner does not touch the ground correctly. With two people follow these steps:

1. Carefully elevate the item slightly to provide access to the levelers attached to the bottom.
2. Turn the levelers until adequate contact is made with the floor. Gently set down the piece and check stability.
3. Repeat steps until furniture sits firmly on the ground.



Care Instructions:

- Dust often using a clean, soft, dry and lint-free cloth.
- Blot spills immediately and wipe with a clean, damp, cloth.
- We do not recommend the use of chemical cleansers, abrasives or furniture polish on our lacquered finish.
- Hardware may loosen over time. Periodically check to make sure all connections are tight.
Re-tighten if necessary.

Thank you for your purchase
Stores | catalog