

SOPHIE TWIN/FULL BED

ASSEMBLY INSTRUCTION



IMPORTANT SAFETY INSTRUCTIONS:

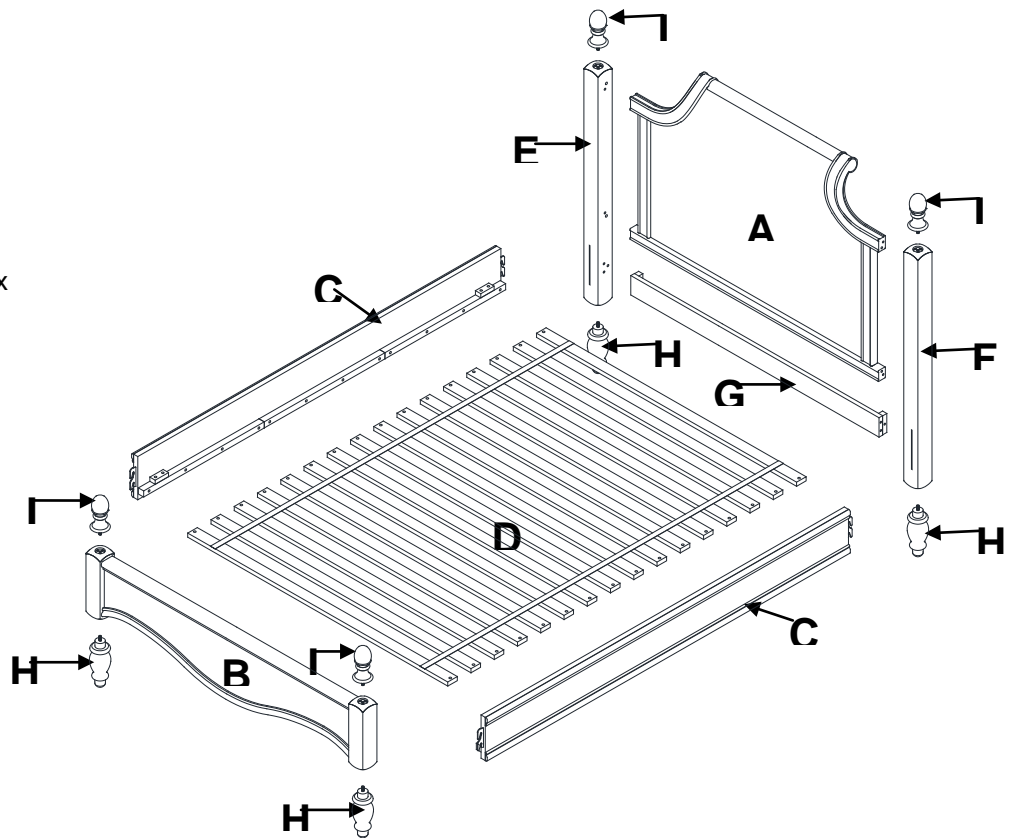
- Please read all instructions carefully before assembling this bed.
- For your safety, assembly by two or more adults is strongly recommended.
- Keep these instructions for future use.
- Use only vendor-supplied hardware to assembly this item. Using unauthorized hardware could jeopardize the structural integrity of the item.

PRE- ASSEMBLY:


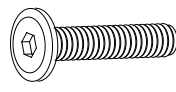


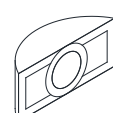

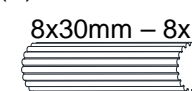
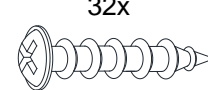
- Remove all parts and hardware from the box. Place them on a carpeted or scratch-free work surface, as this will avoid damaging parts. The shipping box provides an ideal work surface.
- To avoid accidentally discarding small parts or hardware, please do not dispose of any contents until assembly is complete.
- Two people are recommended for your safety and ease of assembly.
- Prior to starting this assembly, use the parts and hardware lists to identify and separate each of the pieces included.
- The illustrations provided allow for easier assembly when used in conjunction with the assembly instructions.
- Note: Do not fully tighten any of the bolts until all parts are in place. Failure to follow these instructions may cause the bolts to misalign during assembly.
- Please use caution if using power tools to aid in assembly. Power tools can damage the hardware or split the wood.

PARTS INCLUDED:

- (A) Headboard Panel - 1 x
- (B) Footboard - 1 x
- (C) Side Rail - 2 x
- (D) Slat Roll - 1 x
- (E) Left Headboard Post - 1 x
- (F) Right Headboard Post - 1 x
- (G) Stretcher - 1 x
- (H) Bun Feet - 4 x
- (I) Finial - 4 x



HARDWARE INCLUDED:

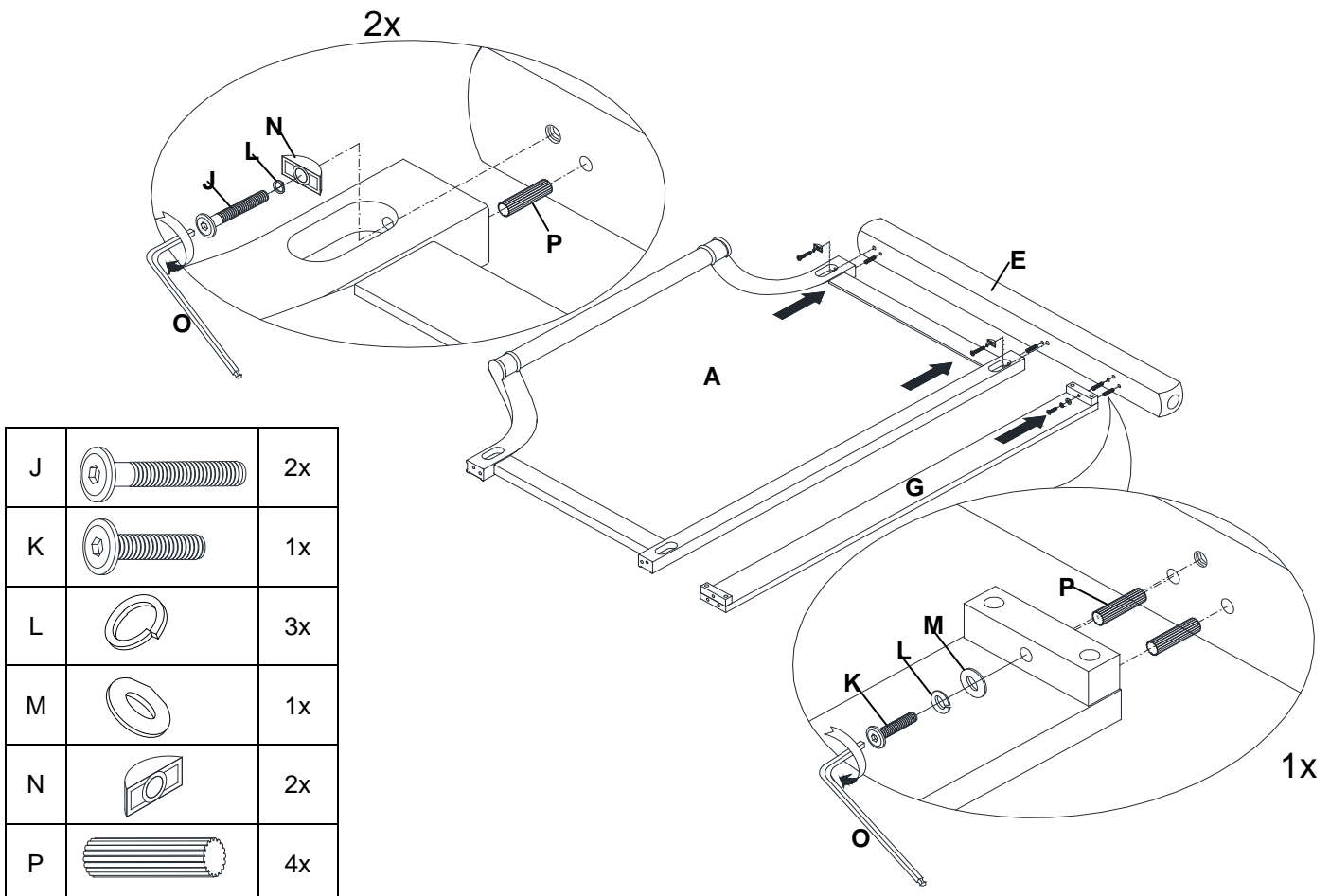
(J) Bolt M6x60mm – 4x 	(K) Bolt M6x38mm – 2x 	(L) Lock Washer – 6x 	(M) Flat Washer – 2x 
(N) Half Moon Washer – 4x 	(O) Allen Key 4mm – 1x 	(P) Wooden Dowel 8x30mm – 8x 	(Q) RH Screw 8x25mm – 32x 

TOOLS REQUIRED (NOT INCLUDED):

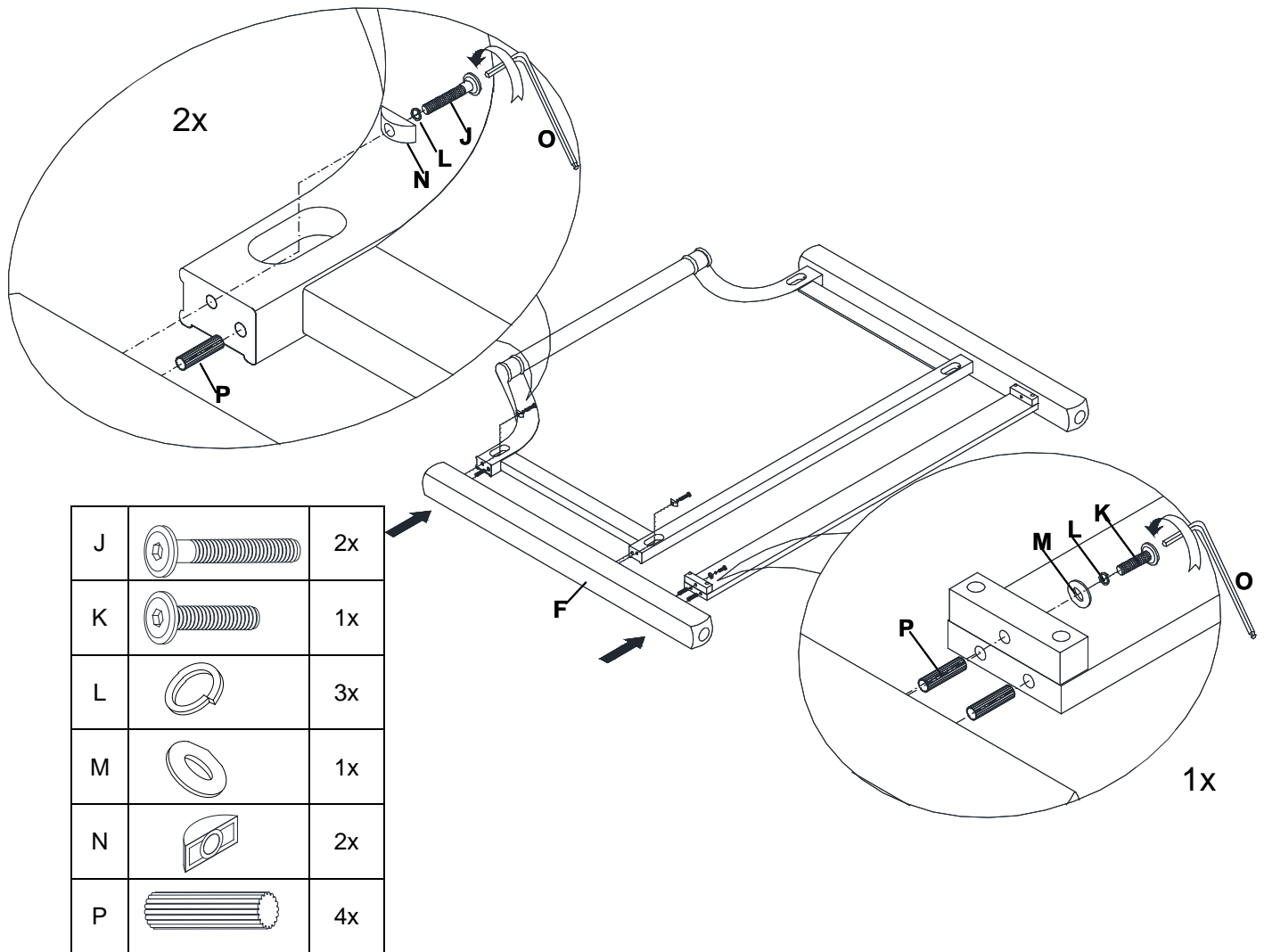


ASSEMBLY INSTRUCTION STEPS:

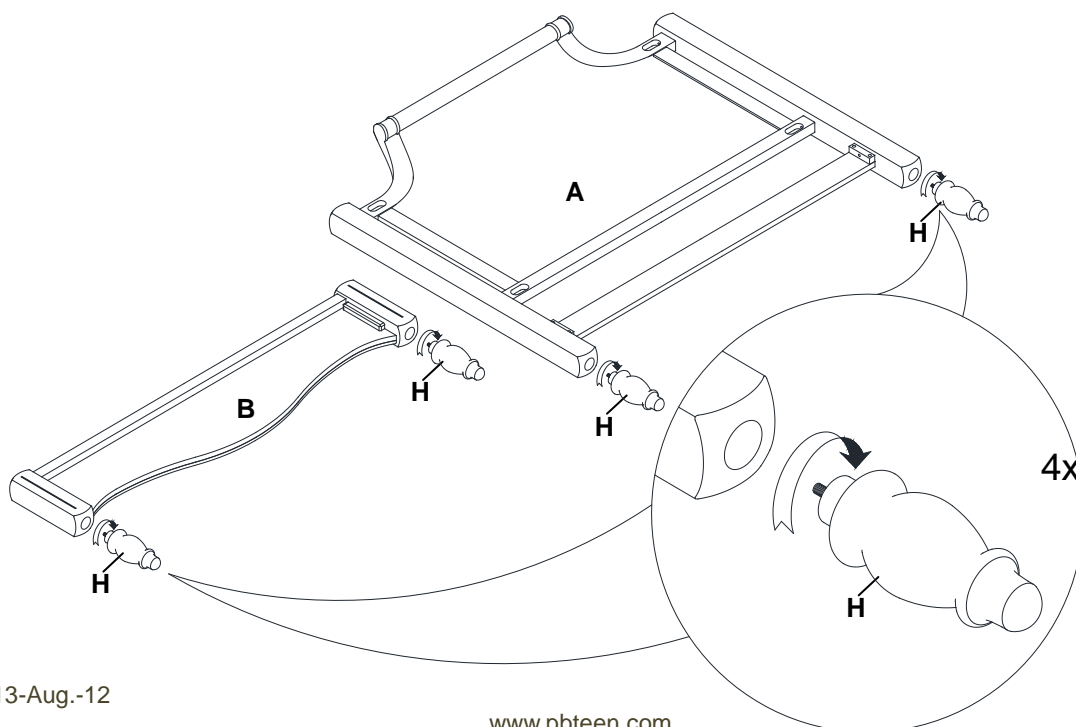
1. Put all furniture parts on a soft, scratch free surface such as a carpet or rug.
2. Attach the Headboard Panel (A) to the Left Headboard Post (E) and secure with 2 sets of: Bolt (J), Lock Washer (L), Half Moon Washer (N), and Wooden Dowel 8x30mm (P), as seen in the illustration below.
3. Attach Stretcher (G) to the Left Headboard Post (E) and secure with 1 set of: Bolt (K), Lock Washer (L), Flat Washer (M), and 2 Wooden Dowels (P), as seen below.
4. Tighten all bolts with Allen Key (O).



5. Repeat steps # 2 - #4 to assemble the Right Headboard Post (F), as seen in the illustration below.

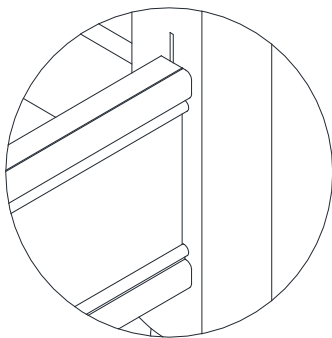


6. Thread the 4 Bun Feet (H) into the pre-fixed insert nuts found under the Headboard and Footboard Posts (A&B) in a clock-wise direction until tight, as seen in the illustration below.

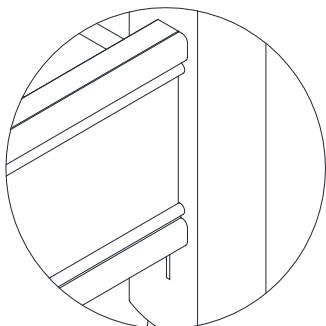


7. Determine the desired location of the bed and then hold the assembled Headboard (A) in a vertical position-tilted slightly forward.
8. Attach each Side Rail (C) to the Headboard (A) by inserting the hook (pre-attached at the ends of the Side Rail) into the corresponding slots of the Left & Right Headboard Post (E&F), as seen below.
9. Push down firmly on the top of the Side Rails (C) until they sit themselves over the pins inside the Post slots, as shown in the illustration below. Be sure the small ledge on each Side Rail (C) is facing inward.
10. Repeat steps #8 and #9 to assemble the Footboard (B), as seen in the illustration below.

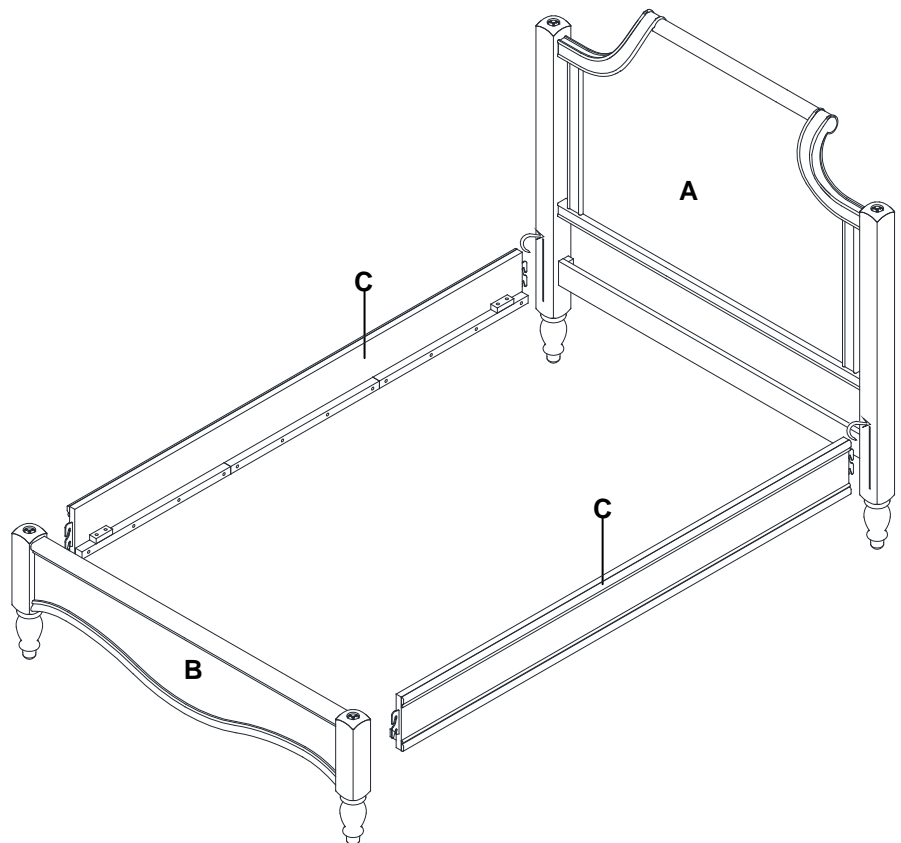
There are two levels for the Side Rails (C). If you plan to use a trundle, please use the higher setting.



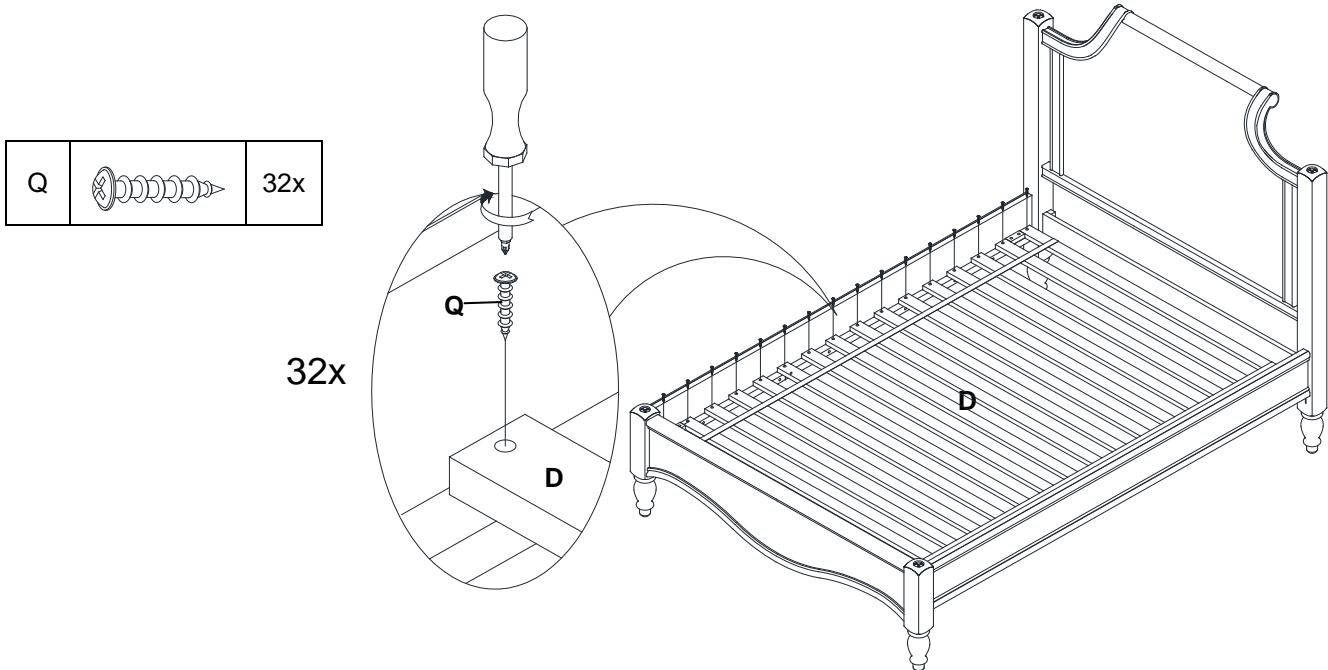
LOWER SETING



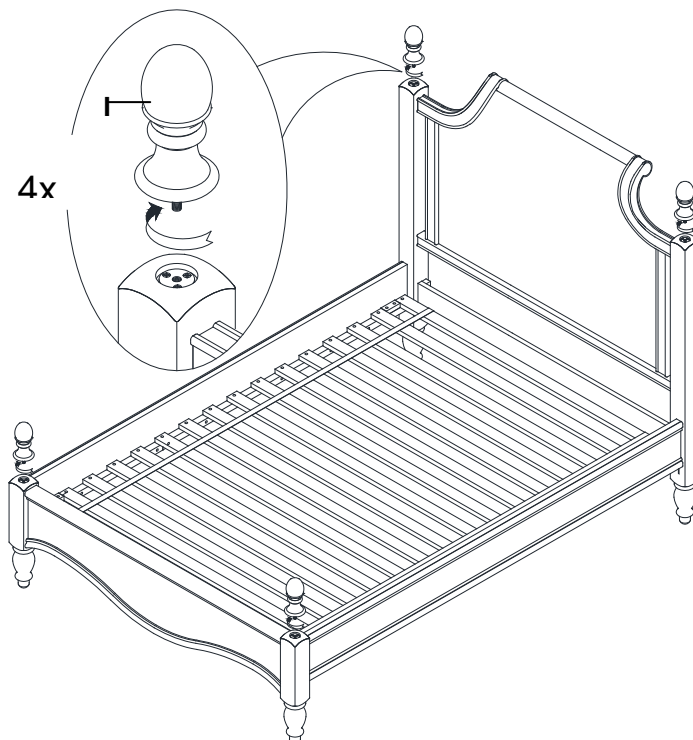
HIGHER SETING



11. Place the Slats Roll (D) on the opening, in-between the Side Rails (C), as seen below. Make sure the ends of the slats rest upon the small ledge inside of the Side Rails (C).
12. Secure each slat using 32 Round Head Screws (Q) through the hole at the end of each slat and into the mattress support on the Side Rails (C).



13. Thread the 4 Finials (I) into the metal inserts on the top of each Post of the Headboard and Footboard (A & B) in clock-wise direction until tight, as seen in the illustration below.



CARE INSTRUCTIONS:

- Dust often using a clean, soft, dry, and lint-free cloth.
- Blot spills immediately and wipe with a clean, damp cloth.
- We do not recommend the use of chemical cleansers, abrasives, or furniture polish on our lacquered finish.
- Hardware may loosen over time. Periodically check to make sure all connections are tight.
Re-tighten if necessary.