

**MARGOT BED TWIN & FULL**  
**PBT-SU16-22-46HB/FB/SR**  
**PBT-SU16-22-33HB/FB/SR**

**IMPORTANT SAFETY INSTRUCTIONS:**

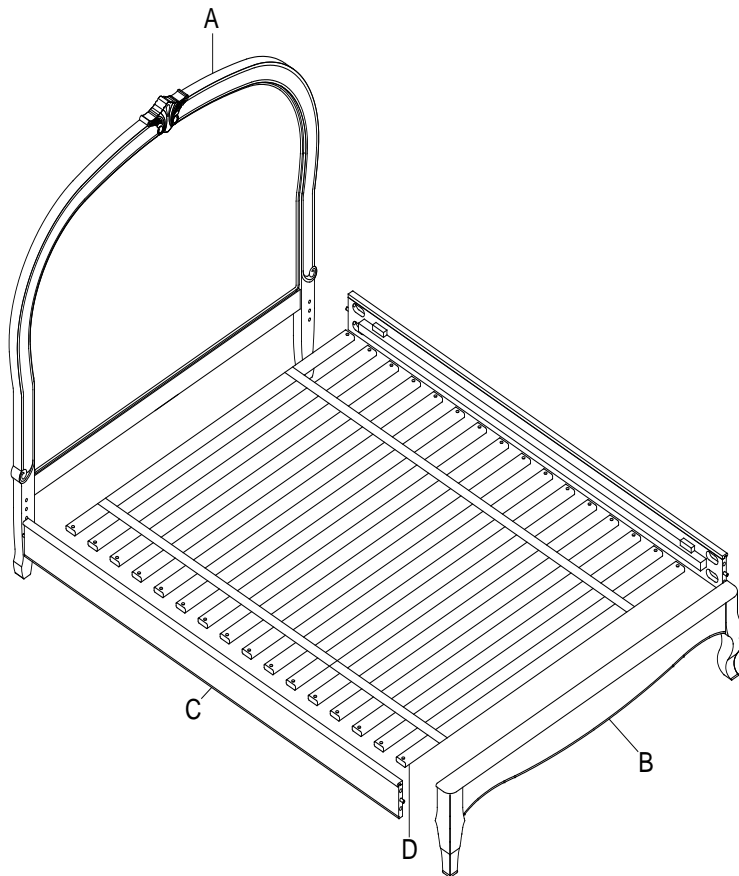
- Please read all instructions carefully before assembling this bed.
- For your safety, assembly by two or more adults is strongly recommended.
- Keep these instructions for future use.
- Use only vendor-supplied hardware to assembly this item. Using unauthorized hardware could jeopardize the structural integrity of the item.

**PRE- ASSEMBLY:**

- Remove all parts and hardware from the box. Place them on a carpeted or scratch-free work surface, as this will avoid damaging parts. The shipping box provides an ideal work surface.
- To avoid accidentally discarding small parts or hardware, please do not dispose of any contents until assembly is complete.
- Two people are recommended for your safety and ease of assembly.
- Prior to starting this assembly, use the parts and hardware lists to identify and separate each of the pieces included.
- The illustrations provided allow for easier assembly when used in conjunction with the assembly instructions.
- Note: Do not fully tighten any of the bolts until all parts are in place. Failure to follow these instructions may cause the bolts to misalign during assembly.
- Please use caution if using power tools to aid in assembly. Power tools can damage the hardware or split the wood.


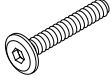


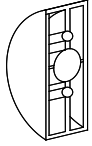
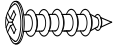
**PARTS INCLUDED:**

- A – Headboard (x1)
- B – Footboard (x1)
- C – Side Rail – 2 pcs
- D – Slats Roll –(x1)



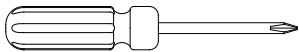
**HARDWARE INCLUDED:**

Date: 2015-May-5

E – Ball Tip Allen Key	F – Allen Bolt	G – Spring Washer	H – Flat Washer	I – Curved Washer
				
(Included) 5mm	5/16" x 2-1/4"	5/16"	5/16" x 19 x 1.5mm	8*29*15*8
1pc	8pcs	8pcs	8pcs	8pcs
J – Phillips head Screw				
				
9 x 1"				
32pcs				

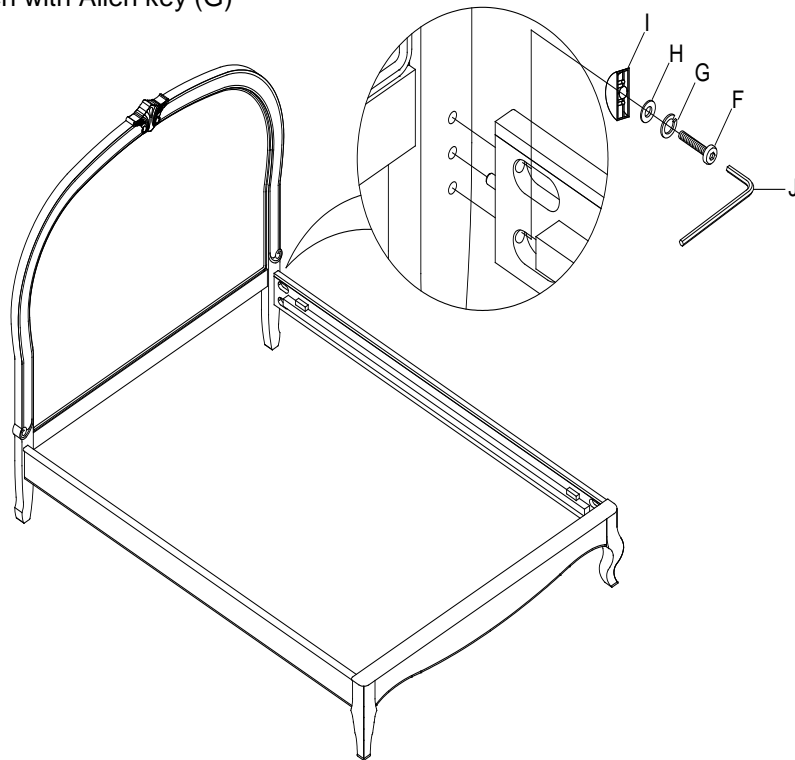
**TOOL REQUIRED (but not included):**

Phillips Head Screwdriver




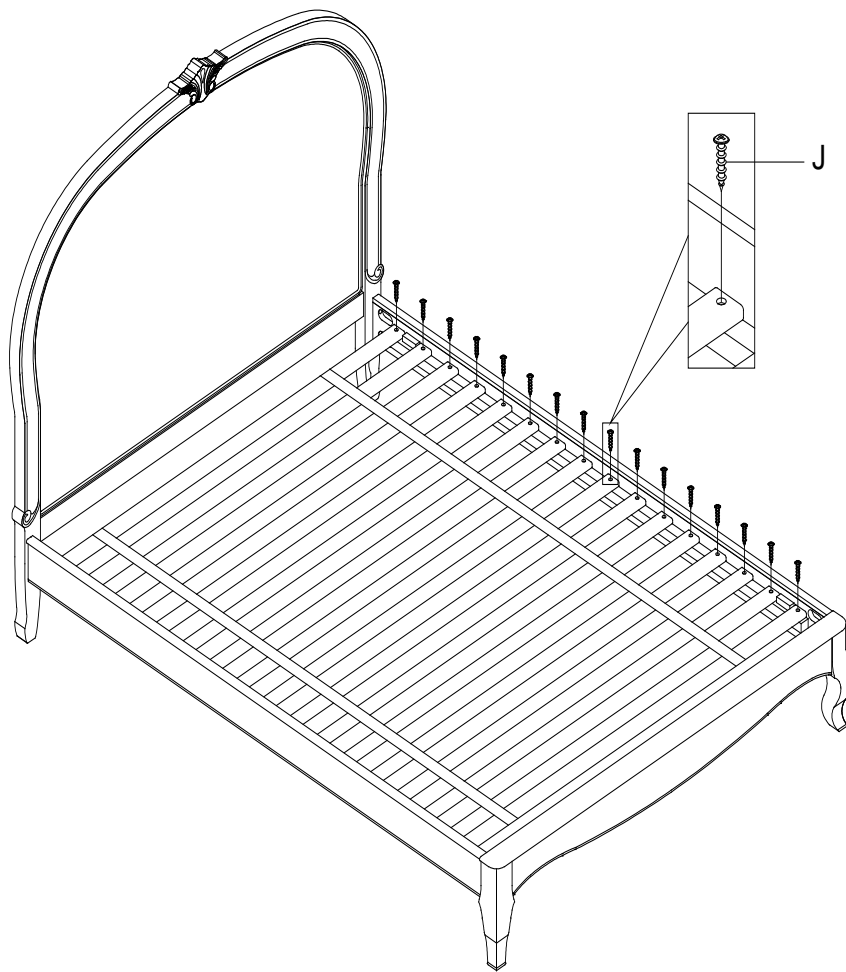
**ASSEMBLY INSTRUCTION STEPS:**

1. Attach the side rails (C) to headboard (A) and footboard (B), use Allen bolts (H), spring washer (I), flat washer (J), Curved Washers (L) and tighten with Allen key (G)



2. Put the slats roll (D) onto the side rail, using screw (J) to tighten them with side rail support rail.

J		32
---	---	----



**CARE INSTRUCTIONS:**

- Dust often using a clean, soft, dry, and lint-free cloth.
- Blot spills immediately and wipe with a clean, damp cloth.
- We do not recommend the use of chemical cleansers, abrasives, or furniture polish on our lacquered finish.
- Hardware may loosen over time. Periodically check to make sure all connections are tight.  
Re-tighten if necessary.