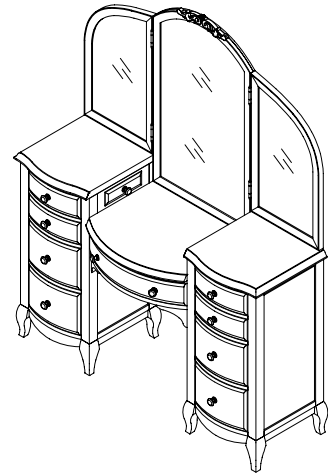




Lilac Vanity

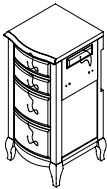
Pre-assembly:

- Please read all instructions before beginning assembly.
- Two-adult assembly is recommended.
- Save all packing materials until assembly is complete to avoid accidentally discarding smaller parts or hardware.

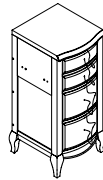


Parts included:

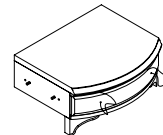
A – Left Cabinet – 1 pc
(with electric cordset)



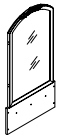
B – Right Cabinet – 1 pc
(without electric cordset)



C – Center Drawer Unit – 1 pc



D – Center Mirror with panel – 1 pc



E – Left Mirror with hinges – 1 pc



F – Right Mirror with hinges – 1 pc



Hardware Included:

G – Hex Bolt – 11 pcs
(φ1/4"x32mm)



H – Spring Washer – 11 pcs
(φ1/4"x11mm)



I – Flat Washer – 11 pcs
(φ1/4"x15mm)



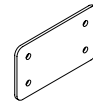
J– Allen Key – 1 pc
(φ4x74x29mm)



K – Phillip Screw – 16 pcs
(#6x15mm for hinge)



L – Mending Plate – 2 pcs
(70x40mm)



M – Wooden Knob –10 pcs
(for drawers)



N – Long Knob Bolt – 10 pcs
(M4x28mm for big knob)



O – Short Knob Bolt – 1 pc
(M4x19mm for small knob)



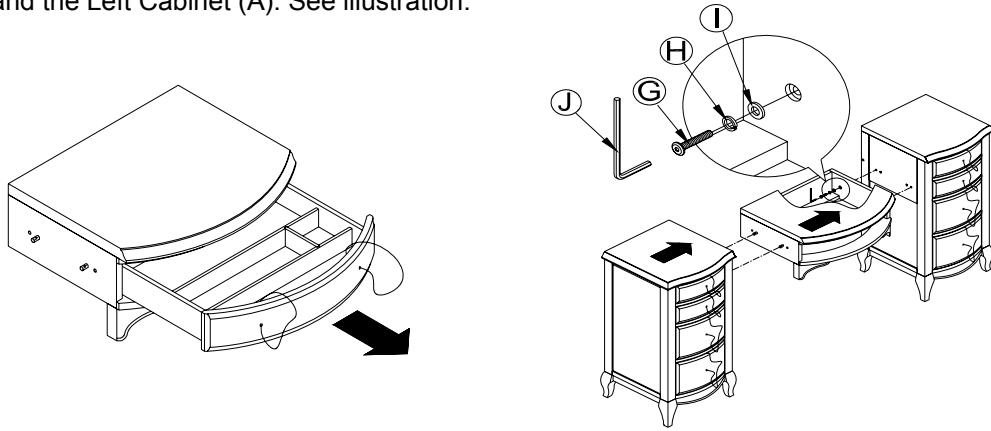
P – Small Wooden Knob –1 pc
(for electric cordset cover)



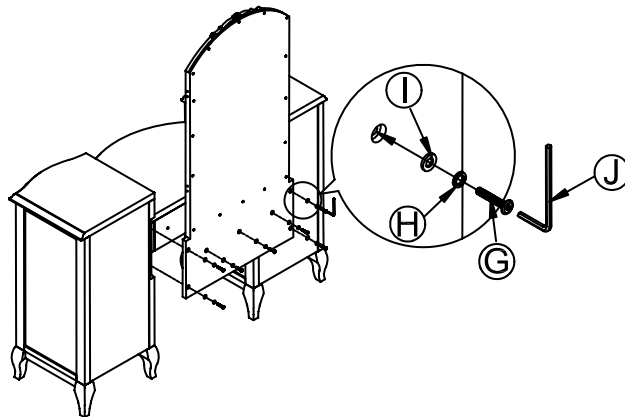
Tools Required: Phillip Head Screwdriver (not included)

Assembly:

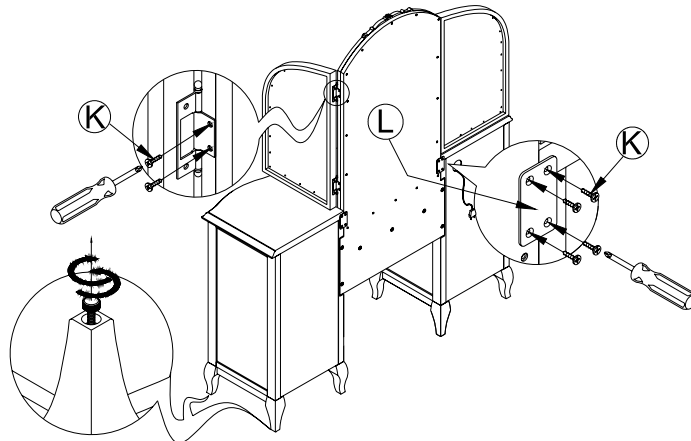
1. On a soft, scratch-free surface, such as a carpet or rug, remove all the parts from boxes.
2. Determine the desired location of the piece and prepare all parts there first.
3. Carefully remove the drawer from Center Drawer Unit (C) and assemble the Center Drawer Unit (C) to the Right Cabinet (B). One adult should hold the Center Drawer Unit (C) while another adult inserts a Hex Bolt (G), Spring Washer (H) and Flat Washer (I) through the pre-drilled holes on the inside of the Center Drawer Unit (C) and into the pre-drilled holes of the Right Cabinet (B), as shown below. Tighten with the Allen Key (J). Repeat the same step for the other side of Center Drawer Unit (C) and the Left Cabinet (A). See illustration.



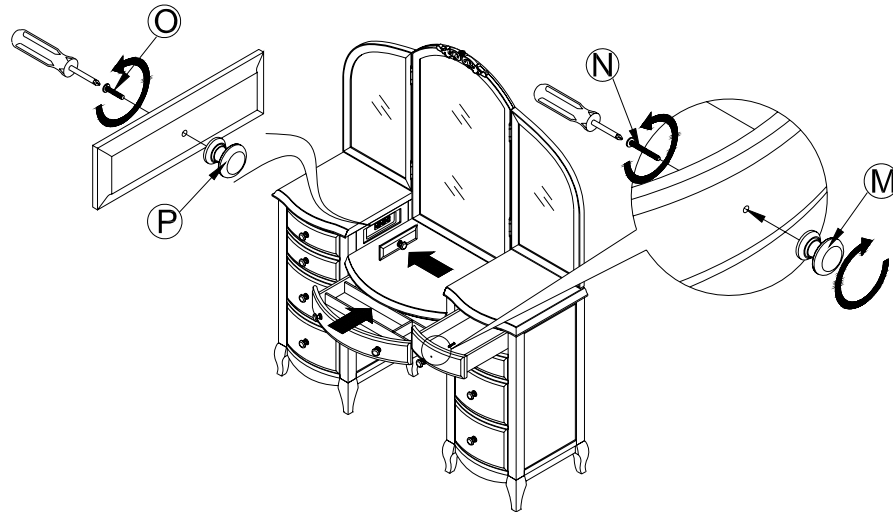
4. Assemble the Center Mirror with Panel (D) to the above assembled unit (Left Cabinet, Right Cabinet and Center Drawer Unit) by aligning the pre-drilled holes of the Center Mirror with Panel (D) to the pre-drilled holes on the back of the Center Drawer Unit (C). Insert a Hex Bolt (G), Spring Washer (H) and Flat Washer (I) through the pre-drilled holes on the back of the Center Mirror with Panel (D) and into the pre-drilled holes on the back of the Center Drawer Unit (C), as shown below. Tighten with the Allen Key (J).



5. Align the pre-drilled holes of a Mending Plate (L) over the pre-drilled holes on the back of Center Mirror with Panel (D) and the Left and Right Cabinets (A & B). Insert a Phillips Screw (K) through the pre-drilled holes of the Mending Plate (L) and into the pre-drilled holes on the back of Center Mirror with Panel (D) and the Left and Right Cabinets (A & B). Tighten with a Phillips Head Screwdriver, as shown below. Periodically tighten all connections.
6. Attach the Left Mirror with hinges (E) to Center Mirror with Panel (D) by inserting a Phillips Screw (K) through the holes in the hinges of the Left Mirror (E) and into the pre-drilled holes on the Center Mirror with Panel (D). Use a Phillips Screwdriver to tighten, as shown. Repeat with the Right Mirror with hinges (F).



- Attach the Wooden Knobs (M) to the drawers on the Left and Right Cabinets (A & B) by holding the Wooden Knob (M) over the pre-drilled hole in the drawer front. Insert a Long Knob Bolt (N) from the interior of the drawer and into the Wooden Knob (M) and tighten with a Phillips Head Screwdriver.
- Attach the Small Wooden Knob (P) to the electric cordset cover by holding the Small Wooden Knob (P) over the pre-drilled hole of the electric cordset cover. Insert a Short Knob Bolt (O) from the interior side of the electric cordset cover and into the Small Wooden Knob (P). Tighten using a Phillips Head Screwdriver.
- Put the drawer back to Center Drawer Unit (C). Adjust the recessed levelers located at the base of each leg to ensure the whole unit is level.
- Hardware should be checked periodically for tightness.



Care Instructions:

- Avoid direct sunlight and excessive temperatures.
- Dust often using a clean, soft, dry and lint-free cloth.
- Slightly moisten cloth with water. A damp cloth holds dust and prevents scratching.
- Waxing is not recommended on lacquered finish.



Lilac Vanity

FURNITURE TIPPING RESTRAINT

WARNING: This product is only a deterrent. It is not a substitute for proper adult supervision. Manufacturer assumes no liability for improper installation or excessive loads placed on screws, brackets or straps.

Young children may be injured by tipping furniture and the use of a tipping restraint is highly recommended.

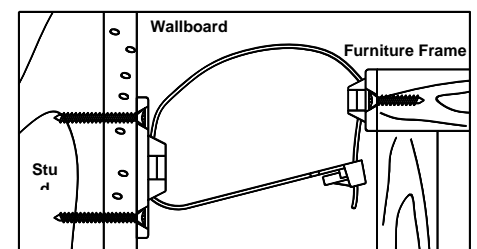
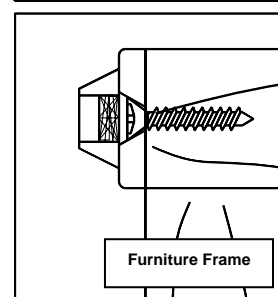
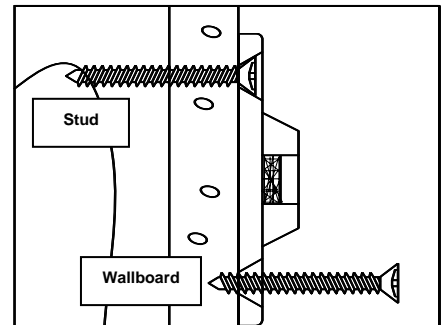
When properly installed, this restraint could provide protection against the unexpected tipping of furniture. We recommend mounting this restraint to a wall stud.

Hardware included:

- (2) Brackets 48 x 21 x 10mm
- (1) Nylon Strap 300 x 12 x 8mm
- (2) Stud Mounting Screws 6 x 32mm
- (2) Product Side Mounting Screws 6 x 19mm

Note: For safe mounting it is essential to use the proper hardware for your wall type. The included hardware is for drywall or stud mounting only. For other wall types (ie: plaster, concrete, brick...) please consult your local hardware store.

1. Determine the final resting position of the furniture piece. Mark location on the wall approximately 1" below the top of the back of the furniture. Mark and drill pilot hole into the center of the stud with a 3/32" drill bit. Attach a bracket to the stud with the long screws provided.
2. On the back of the furniture, a bracket will need to be attached to the furniture frame at the top. To do this, temporarily move the furniture into its final position and mark the location of the wall bracket on the furniture frame.
3. Move the furniture away from the wall and place a bracket on the mark. Mark and drill holes for screws with a 3/32" drill bit. Attach the bracket to the furniture with the short screws provided.
4. Check to be sure the wall bracket is firmly screwed into wall stud and the furniture bracket is firmly attached to the frame.
5. Move the piece of furniture into its final position so that the wall bracket and furniture bracket are in alignment.
6. Thread the strap through brackets and tighten until snug. Do not over-tighten.
7. Check to make sure the brackets are firmly installed and the strap is secure.



Completed Anti-tip Kit Installation