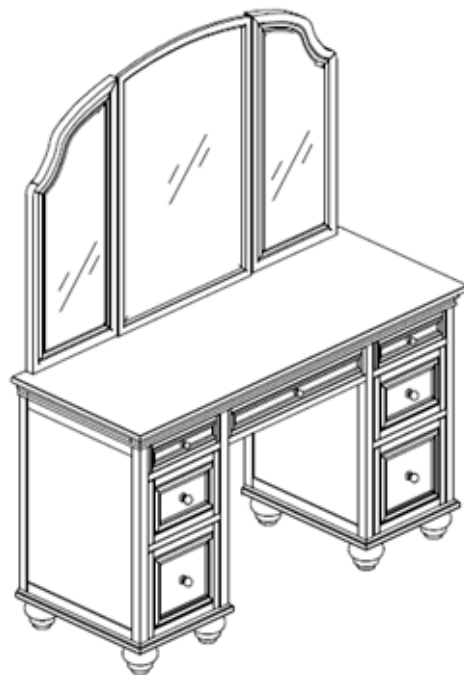
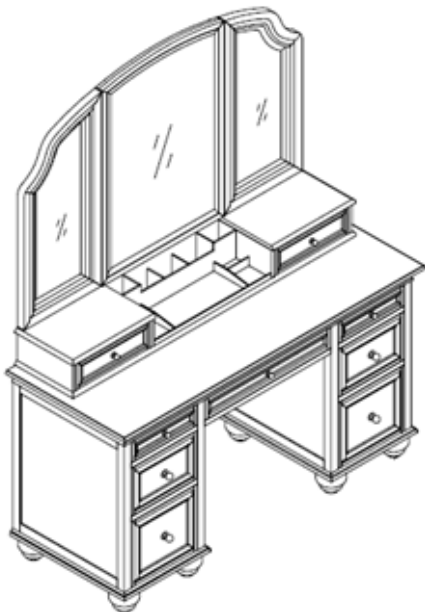
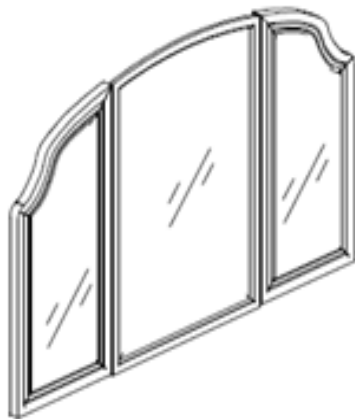




CHELSEA MIRROR HUTCH

ASSEMBLY INSTRUCTIONS



Important Safety Instructions:

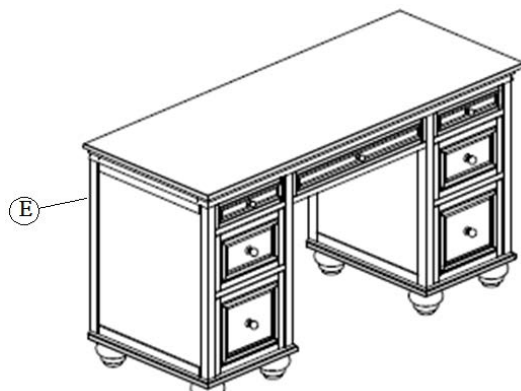
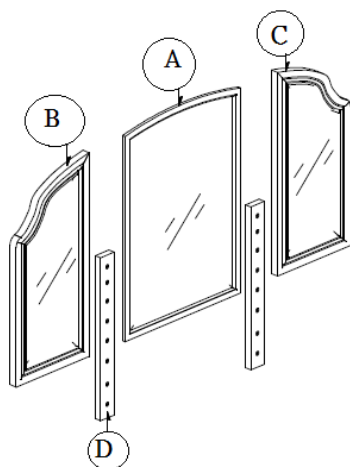
- Please read all instructions carefully before assembling this Vanity Mirror.
- For your safety, assembly by two or more adults is strongly recommended.
- Keep these instructions for future use.
- Use only vendor-supplied hardware to assemble this item. Using unauthorized hardware could jeopardize the structural integrity of the item.

Pre-assembly:

- Remove all parts and hardware from the box. Place all items on a carpeted or scratch-free work surface, as this will avoid damaging parts during assembly. The shipping box provides an ideal work surface.
- To avoid accidentally discarding small parts or hardware, do not dispose of any packaging or contents of the shipping carton until assembly is complete.
- Use the parts and hardware lists below to identify and separate each of the pieces included.
- The illustrations provided allow for easier assembly when used in conjunction with the assembly instructions.
- The use of power tools to aid in assembly is not recommended. Power tools can damage the hardware and split the wood.

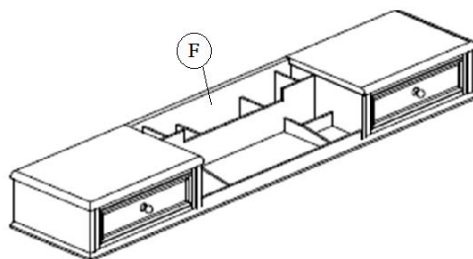
Parts Included:

- (A) Center Mirror (1x)
- (B) Left Mirror (1x)
- (C) Right Mirror (1x)
- (D) Wood Supports (2x)





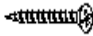


Required parts (not included):

- (E) Chelsea Vanity Desk (1x)
- (F) Chelsea Vanity Desk Hutch (1x) (optional)



Hardware Included:

| | | | | |
|---|--|---|--|---|
| <p>(G) Bolt Ø1/4" x 1-1/4" – 16 x</p>  | <p>(H) Spring Washer ¼" x Ø11x 1.2mm –16 x</p>  | <p>(I) Flat Washer ¼" x Ø 13 x 1 –16x</p>  | <p>(J) Ball tip Allen key M4 x 110 x 30mm – 1x</p>  | <p>(K) Screw 3.5mmx 16mm -12x</p>  |
|---|--|---|--|---|

Tools Required (not included):

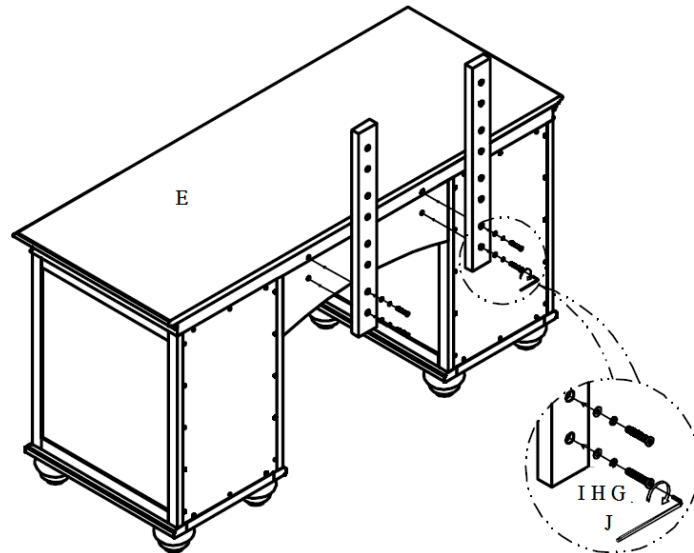


Philips Head Screwdriver

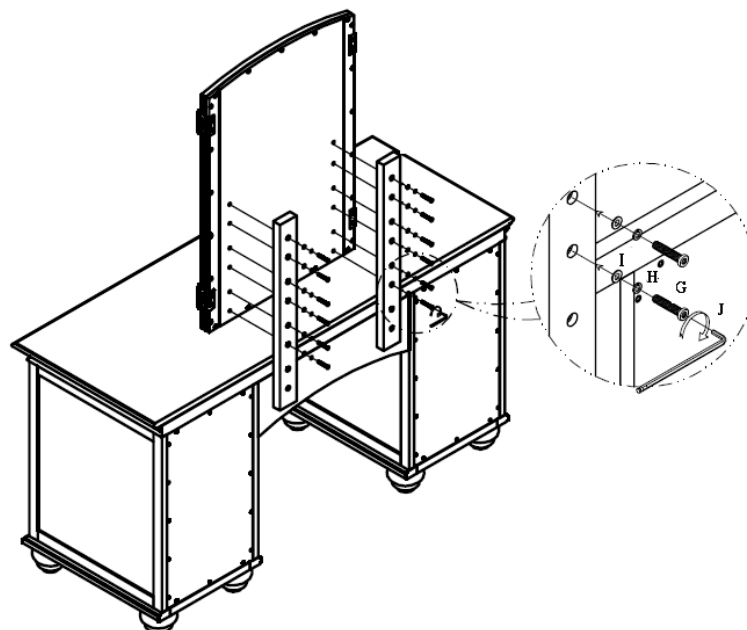
Assembly Instruction Steps:

Option 1: Attach the Mirror without the Desk Hutch (F).

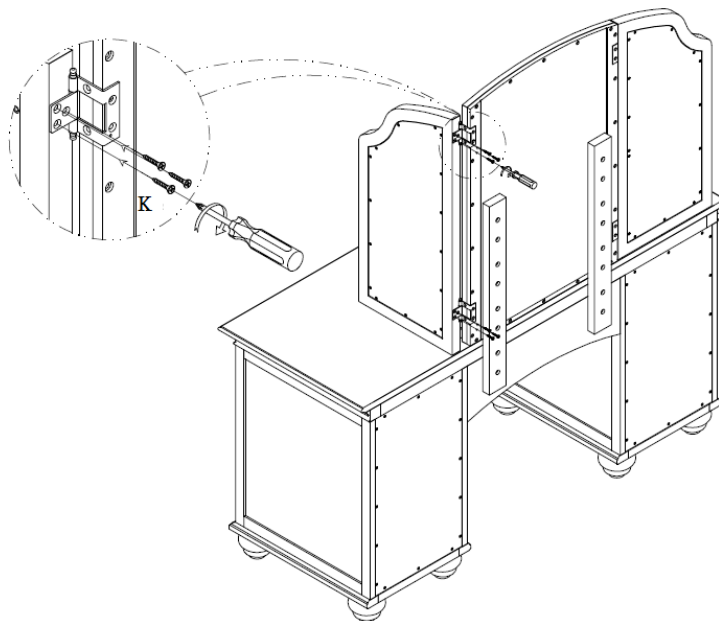
1. Carefully place the Center Mirror (A), Left Mirror (B), and Right Mirror (C) on a flat, scratch-free, or carpeted surface such as a rug or carpet.
2. Attach Wood Support (D) to Desk (E) by inserting 4 sets of Bolts (G), Spring Washers (H), and Flat Washers (I) through the holes on the wood support (D), to the pre-fixed insert nuts on the back of Desk (E), as seen in the illustration below.
3. Tighten with the supplied Ball Tip Allen Key (J).



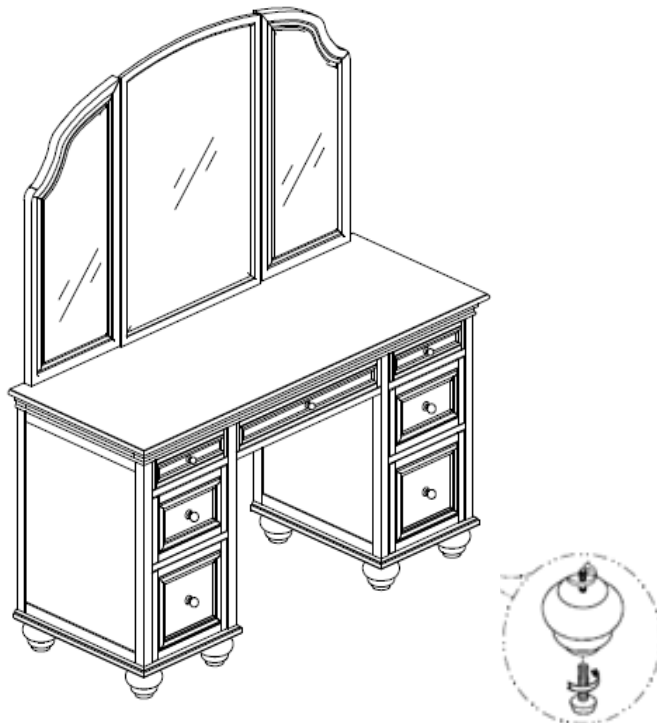
4. Place Center Mirror (A) onto Desk (E) and align the holes on the back of Center Mirror (A), with the holes on Wood Support (D).
5. Secure with 12 sets of Bolt (G), Spring Washer (H), and Flat Washer (I) through the holes of Wood Support (D), and to the pre-fixed insert nuts on the back of the Center Mirror (A), as seen in the illustration below.
6. Tighten with Ball Tip Allen Key (J).



7. Attach the Left Mirror (B) to the Center Mirror (A) by inserting 6 Screws (K) through the holes of the pre-attached hinges on Center Mirror (A), to the pre-drilled holes on Left Mirror (B), as seen in the illustration below.
8. Tighten with a Phillips Head Screwdriver (not included).
9. Repeat the above steps to assemble the Right Mirror (C).

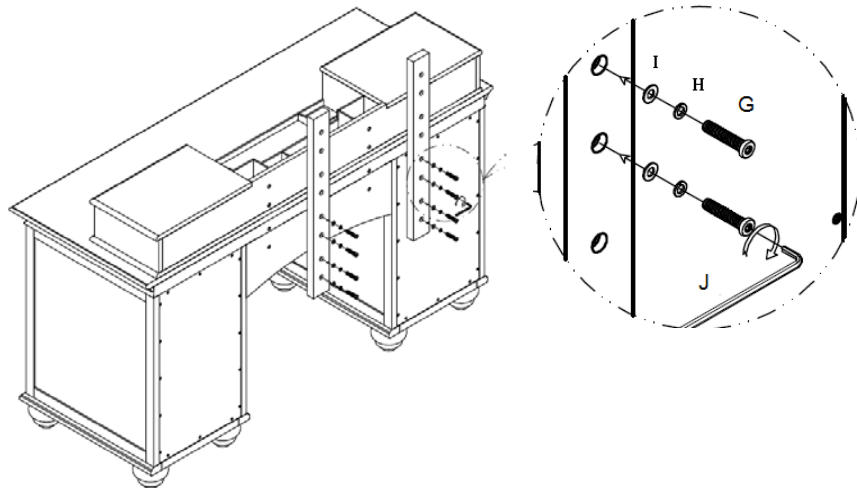


10. The assembly is complete.
11. If the Vanity does not sit level, adjust the levelers (in or out).

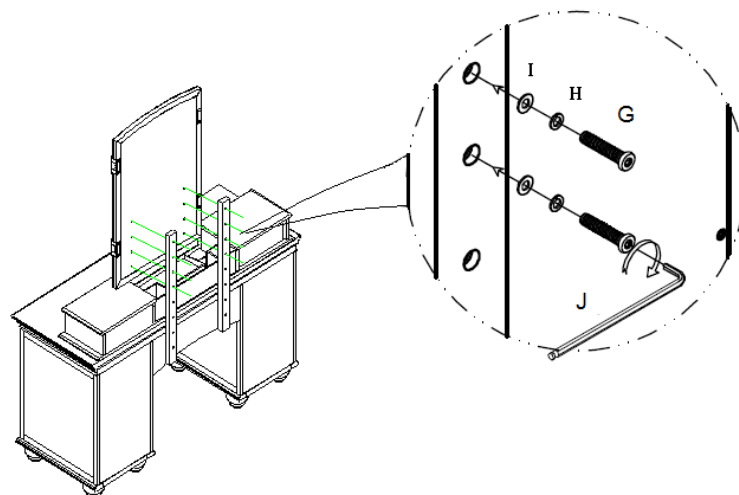


Option 2: Attach the Mirror with the Desk Hutch (F):

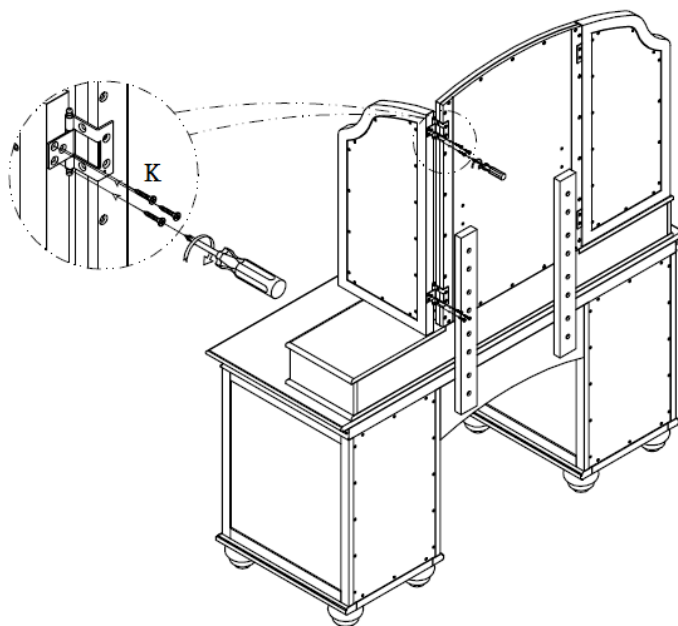
1. Place Hutch (F) onto the top of Desk (E).
2. Align the holes on the back of Hutch (F) with the holes on Desk (E).
3. Attach Wood Support (D) to secure the Desk (E) to Hutch (F).
4. Secure by inserting 8 sets of Bolt (G), Spring Washer (H), and Flat Washer (I) through the holes of the Wood Support (D), and to the pre-fixed insert nuts on the back of Desk (E) and Hutch (F), as seen in the illustration below. Tighten with Ball Tip Allen Key (J).



5. Place the Center Mirror (A) onto Hutch (F).
6. Align the holes on the back of the Center Mirror (A) with the holes of Wood Support (D).
7. Insert 8 sets of Bolt (G), Spring Washer (H), and Flat Washer (I) through the holes of the Wood Support (D), and to the pre-fixed insert nuts on the back of Center Mirror (A), as seen in the illustration below.
8. Tighten with Ball Tip Allen Key (J).

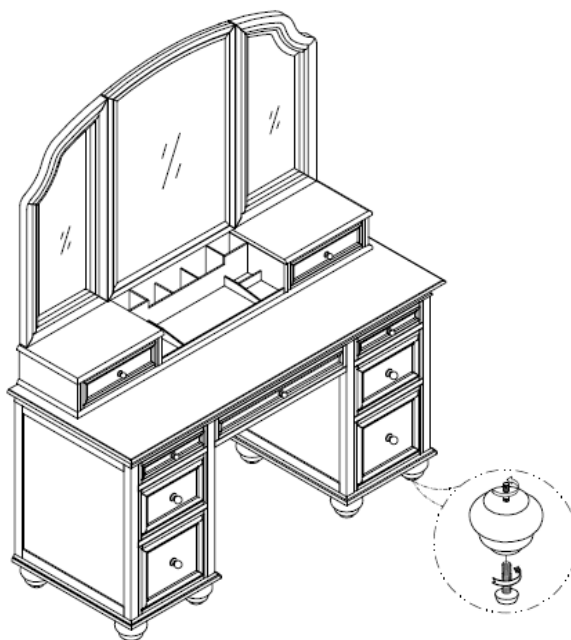


9. Attach the Left Mirror (B) to the Center Mirror (A) by inserting 6 Screws (K) through the holes of the pre-attached hinges of the Center Mirror (A), to the pre-drilled holes of the Left Mirror (B), as seen in the illustration below.
10. Tighten with a Phillips Head Screwdriver (not Included).
11. Repeat the above steps to assemble the Right Mirror (C).



12. The assembly is complete.

13. If the Vanity does not sit level, adjust the levelers (in or out).



14. **NOTE:** Installation of the Anti Tip Kit is **REQUIRED**. Please follow the separate instructions to secure the Drawer Chest to the wall by using tipping-restraint kit included.

Care Instructions:

- Dust often using a clean, soft, dry, and lint-free cloth.
- Blot spills immediately and wipe with a clean, damp cloth.
- We do not recommend the use of chemical cleansers, abrasives, or furniture polish on our lacquered finish.
- Hardware may loosen over time. Periodically check to make sure all connections are tight.
Re-tighten if necessary.