



WICKER ORB PENDANT MULTI - HARDWIRE ASSEMBLY & INSTALLATION INSTRUCTIONS

CAUTION:

- **BEFORE INSTALLING FIXTURE, MAKE SURE THE POWER TO THE CIRCUIT IS TURNED OFF AT THE MAIN FUSE BOX / CIRCUIT BREAKER UTILITY BOX.**

IMPORTANT SAFETY INSTRUCTIONS:

- These instructions are provided for your safety. It is very important that they are read carefully and completely before beginning the assembly and installation of this lighting fixture.
- We strongly recommend that a professional electrician install all direct wire fixtures.
- THIS PRODUCT MUST BE INSTALLED IN ACCORDANCE WITH THE APPLICABLE INSTALLATION CODES BY A PERSON FAMILIAR WITH THE CONSTRUCTION AND OPERATION OF THE PRODUCT AND THE HAZARDS INVOLVED.
- The lighting fixture is meant for indoor use. It must be connected only to 3-wire, single-phase electrical supply systems (provided with Ground wire or equivalent protection system).
- For your safety, it is strongly recommended that two people install the lighting fixture.
- This fixture has been rated for up to one (1) **60-watt maximum TYPE A standard incandescent light bulb** (not included) or one (1) **13-watt compact fluorescent light bulb** (not included). To avoid the risk of fire, do not exceed the recommended wattage.
- The lighting fixture is meant for indoor use, DRY LOCATIONS ONLY.
- **Save these instructions.**

WARNING:

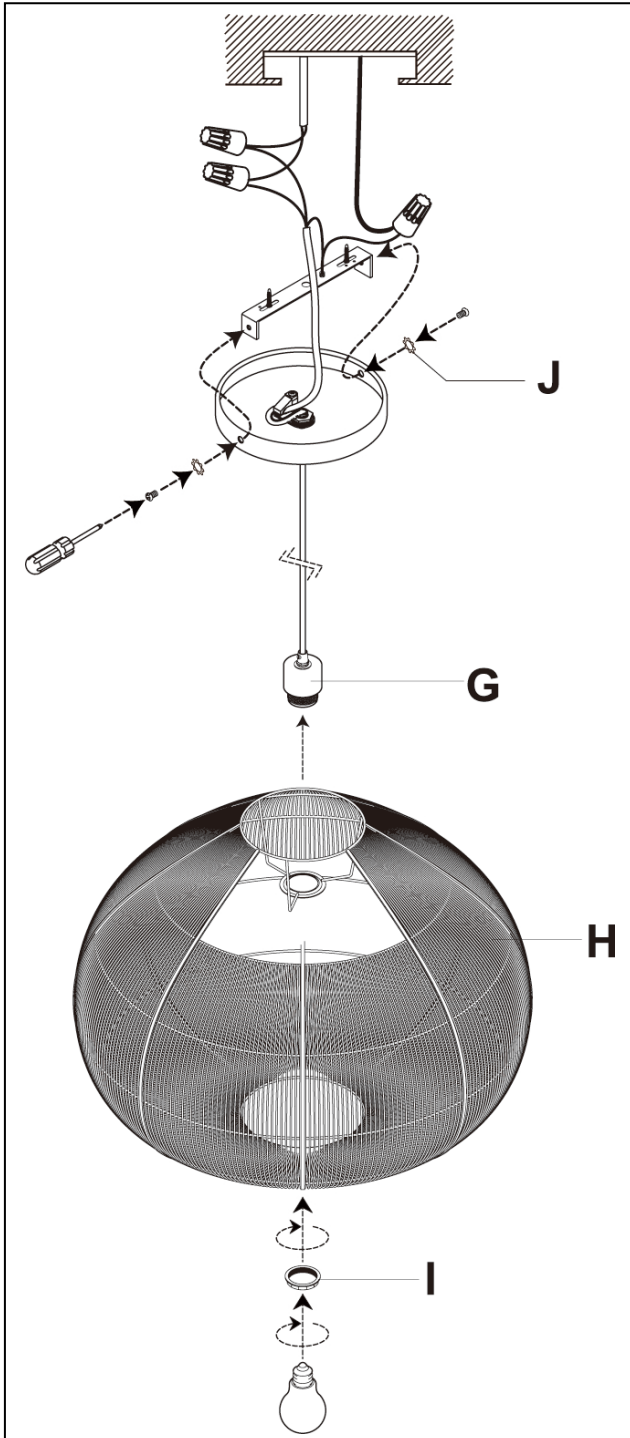
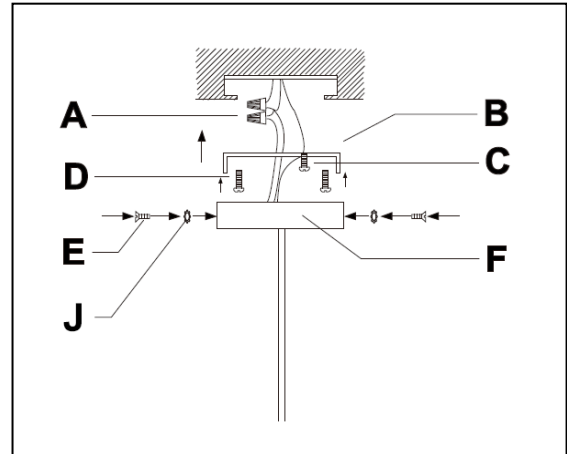
- **To reduce the risk of fire, electrical shock or personal injury, always turn off light fixture and allow it to cool prior to replacing the light bulb.**
- **Do not touch bulb when fixture is turned on. Do not look directly at lit bulb.**
- **Keep flammable materials away from lit bulb.**
- **This lighting fixture contains lead, a chemical known to the State of California to cause cancer, birth defects and other reproductive harm. Wash hands after installing, cleaning or otherwise touching this light fixture.**

PRE-ASSEMBLY:

- Remove all parts and hardware from box along with any plastic protective packaging.
- Do not discard any contents until after assembly is complete to avoid accidentally discarding small parts or hardware.
- For your safety and convenience, assembly by two people is recommended.

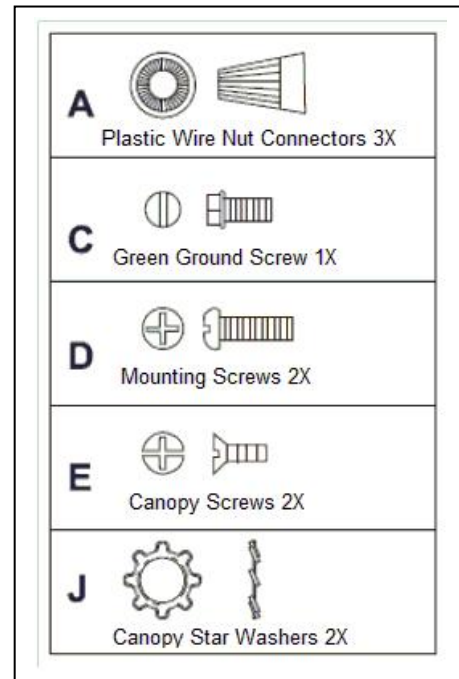
Parts Included:

- (1) Crossbar (B)
- (1) Canopy (F)
- (1) Socket (G)
- (1) Lamp Shade (H)
- (1) Shade Ring (I)
- (2) Canopy Crown Washers (J)

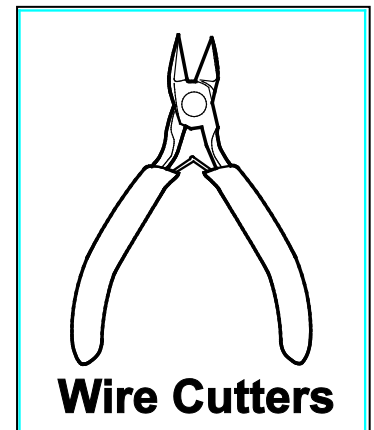
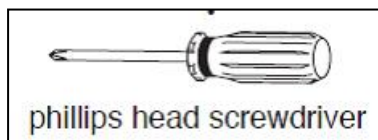
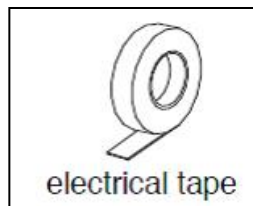
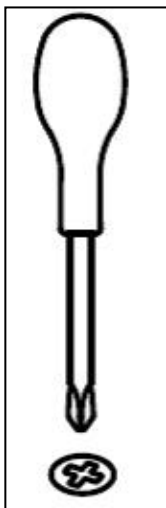


Hardware Enclosed:

- (3) Plastic Wire Nut Connectors (A)
- (1) Green Ground Screw (C)
- (2) Mounting Screws (D)
- (2) Canopy Screws (E)
- (2) Canopy Star washers (J)



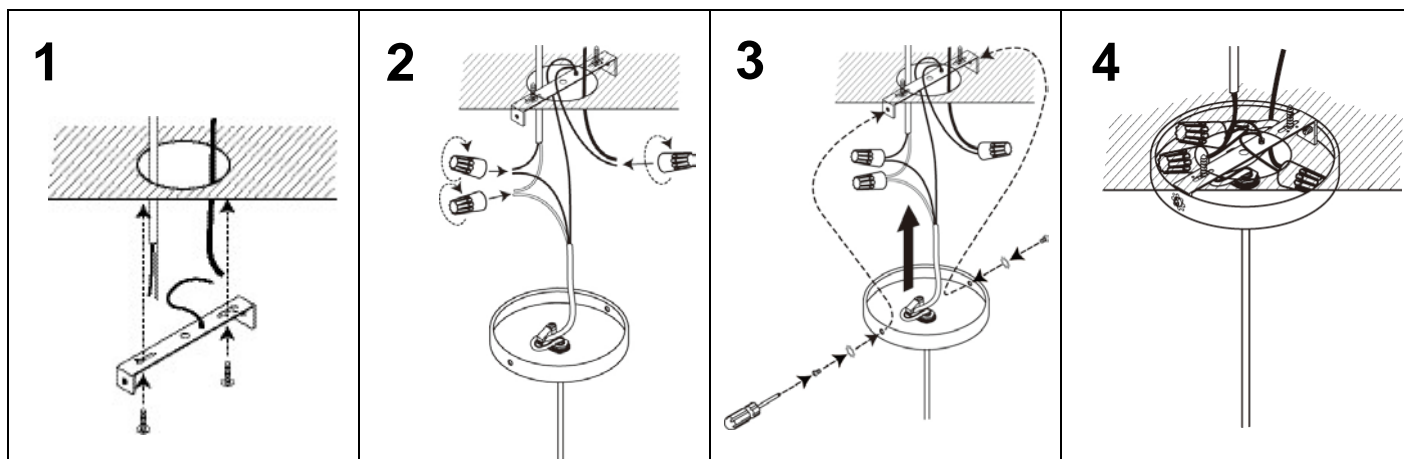
- **Tools Required: (not included):** Step Ladder, Electrical Tape, Philips Head Screwdriver & Wire Cutters/Stripper



ASSEMBLY & INSTALLATION INSTRUCTIONS:

1. **SHUT OFF THE MAIN ELECTRICAL SUPPLY FROM THE MAIN FUSE BOX/CIRCUIT BREAKER!**
2. Carefully unpack all fixture parts and hardware and lay out on a clear workspace.
3. Gently pull existing wire down from the ceiling junction box and allow wires to hang. The HOT or LIVE wire is usually black. The NEUTRAL wire is usually white. Check to see if there is a ground wire that is usually green or green with a yellow. Stripe or exposed copper metal wire. If needed, use a pair of wire strippers to remove about 1/2 inch of insulation from each wire.
4. If not already separated, remove crossbar (B) from Canopy (F) by removing the two Canopy Screws (E) and two Canopy Star Washers (J). DO NOT discard Canopy Screws (E) and Canopy Star Washes (J) as these will be used later.
5. Carefully inspect the pendant fixture wires. The N EUTRAL FIXTURE WIRE is White. The HOT FIXTURE WIRE is Black. And the GROUND WIRE is Green-Yellow. If you have any doubt and cannot identify the power-supply wires with confidence, then we recommend that you ask an electrician and that you not continue with the installation.

6. Attach the GROUND WIRE from the fixture to the GROUND JUNCTION BOX WIRE from the outlet junction box (J-box)(usually green insulation or bare wire). Fasten each together with Plastic Wire Nut Connector (A) by twisting the connector in a clockwise direction and wrap the connection with electrical tape. Be sure that no wires stands are exposed. If your outlet junction box DOES NOT have a GROUND WIRE, be sure to insert the Green Ground Screw (C) into the Crossbar (B) marked as "GND", facing downward and wrap the fixture's ground wire around the Green Ground Screw (C). Tighten screw to clamp ground wire between ground screw head and Crossbar (B). **IT IS IMPERATIVE THAT THE JUNCTION BOX IN YOUR HOME BE PROPERLY GROUNDED!**
7. Connect the NEUTRAL FIXTURE WIRE to the NEUTRAL JUNCTION BOX WIRE (usually white insulation). Fasten each together with a Plastic Wire Nut Connector (A) by twisting the connector in a clockwise direction and wrap the connection with electrical tape. Be sure that no wire strands are exposed.
8. Connect the HOT FIXTURE WIRE to the HOT JUNCTION BOX WIRE (usually black insulation). Fasten each together with a Plastic Wire Connector (A) by twisting the connector in clockwise direction and wrap the connection with electrical tape. Be sure that no wire strands are exposed. **DO NOT REVERSE THE HOT AND NEUTRAL CONNECTIONS OR SAFETY WILL BE COMPROMISED.**
9. Check the wiring connections and if all looks good, gently tuck the wire connections neatly into the ceiling junction box.
10. Attach the Crossbar (B) to the ceiling outlet box using the two J-box Mounting Screws (D). Align the slots of the Crossbar (B) with the two threaded holes located on the J-Box. Use a screwdriver to tighten each screw until the Crossbar (B) is firmly secure to the J-Box.
11. With the help of another person to hold the weight of the pendant, raise the Canopy (F) up over the Crossbar (B) aligning the 2 holes from the Crossbar (B) with the 2 holes on the side of the Canopy (F).
12. Insert the 2 Canopy Screws (E) with 2 Canopy Crown Washers (J) through the Canopy (F) and into the threaded holes of Crossbar (B), tighten each with a screwdriver until secure.
13. Remove the Shade Ring (I) from Socket (G) by turning the Shade Ring (I) in a counter-clockwise direction. Place the Lamp Shade (H) onto the Socket (G), and then secure it in place by turning the Shade Ring (I) in a clockwise direction until tight.
14. Insert one (1) **60-watt maximum TYPE A standard incandescent light bulb** (not included) or one (1) **13-watt compact fluorescent light bulb** (not included) into Socket (G). **DO NOT EXCEED THE SPECIFIED WATTAGE.**
15. Restore power to ceiling outlet junction box and test fixture.
16. Assembly and installation is complete.



CARE INSTRUCTIONS:

- Wipe clean with a soft, dry cloth or static duster.
- Always avoid the use of harsh chemicals or abrasive cleaners as they may cause damage to the fixture's finish.

Thank you for your purchase
 Stores | catalog | www.pbteen.com
 USA 1.866.472.4001