

SUTTON STORAGE BASE

Important Safety Instructions:

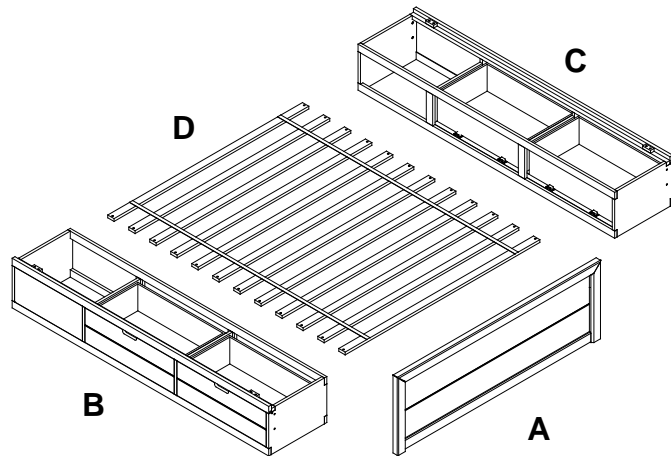
- Please read all instructions carefully before assembling.
- For your safety, assembly by two or more adults is strongly recommended.
- Keep instructions for future use.
- Use only vendor supplied hardware to assemble. Using unauthorized hardware could jeopardize the structural integrity of the item.

Pre-assembly:

- Remove all parts and hardware from the box and lay out on a clear carpeted or scratch-free work surface, as this will avoid damaging parts during assembly. The shipping box provides an ideal work surface.
- Do not dispose of any packaging or contents of the shipping carton until assembly is completed to avoid accidentally discarding small parts or hardware.
- Use the parts and hardware lists below to identify and separate each of the pieces included.
- The illustrations provided allow for easier assembly when used in conjunction with the assembly instructions.
- The use of power tools to aid in assembly is not recommended. Power tools can damage hardware and split wood.



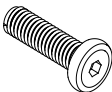
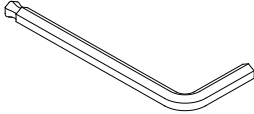
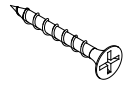
Parts Included:

- A Footboard 1x
- B Left Storage 1x
- C Right Storage 1x
- D Slat Roll 1x



Parts needed for assembly: Camden HB (Sold separately)

Hardware Included:

(M)-Small flat washer 	(N) - Small spring washer 	(O) - Allen bolt  M6x30 mm	(P) - Allen key 
8x	8x	8x	1x
(Q)-Wood Screw  4x30 mm			
24x			

Tools Required (Not Included): Phillip Head Screwdriver



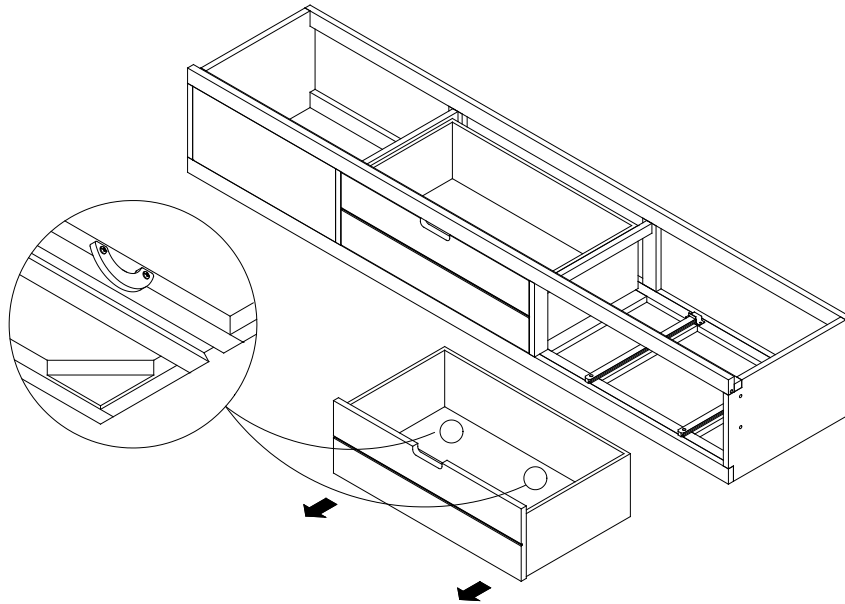
Assembly Instruction Steps:

This storage base can assembly with different Camden HBs that includes Classic, Upholstered or Display Headboard. Buy the desired one for your home use.

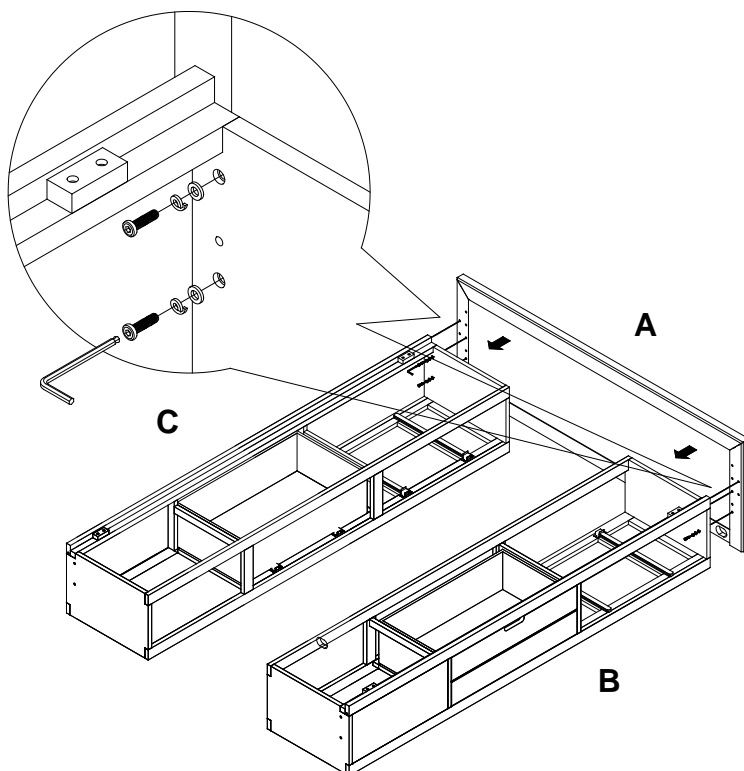
Note: Use the instruction packed with the headboard to assembly it first




1. Remove the side drawer from the storages.

Note: It may take considerable effort to pull out the drawer because there is a stopper at the bottom of the drawer. Make sure to pull the drawer straight out, as shown below.

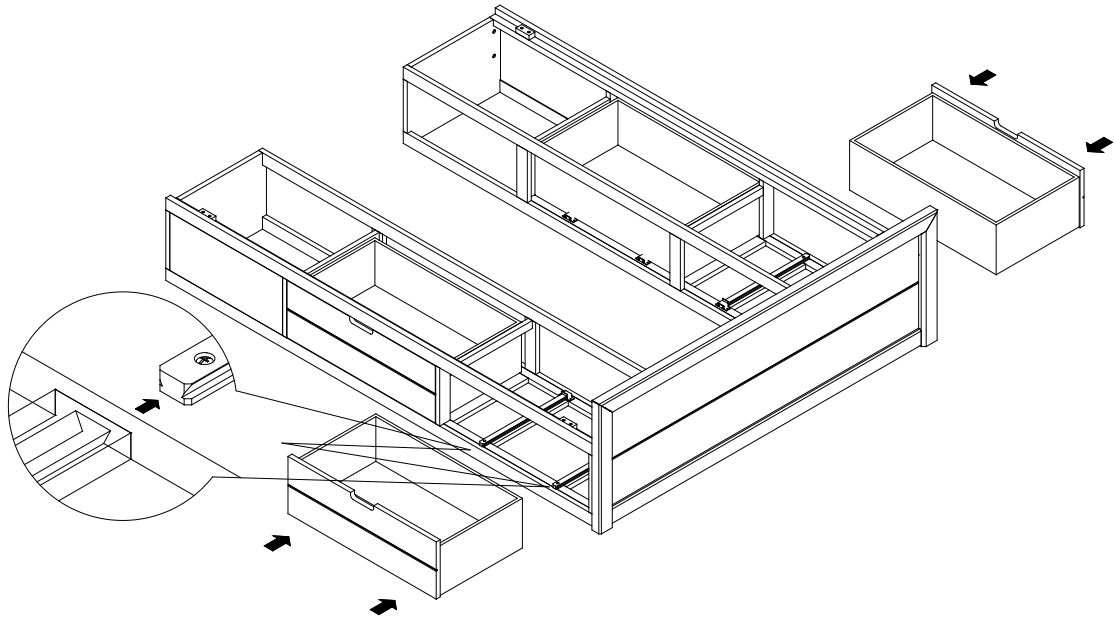


2. Attach the left and right storage (B&C) to the footboard by aligning the exposed dowel on the storage with pre-drilled hole on the footboard.
3. Secure the storages with footboard by small flat washer (M), small spring washer (N) and short Allen bolt (O) using Allen key (P).

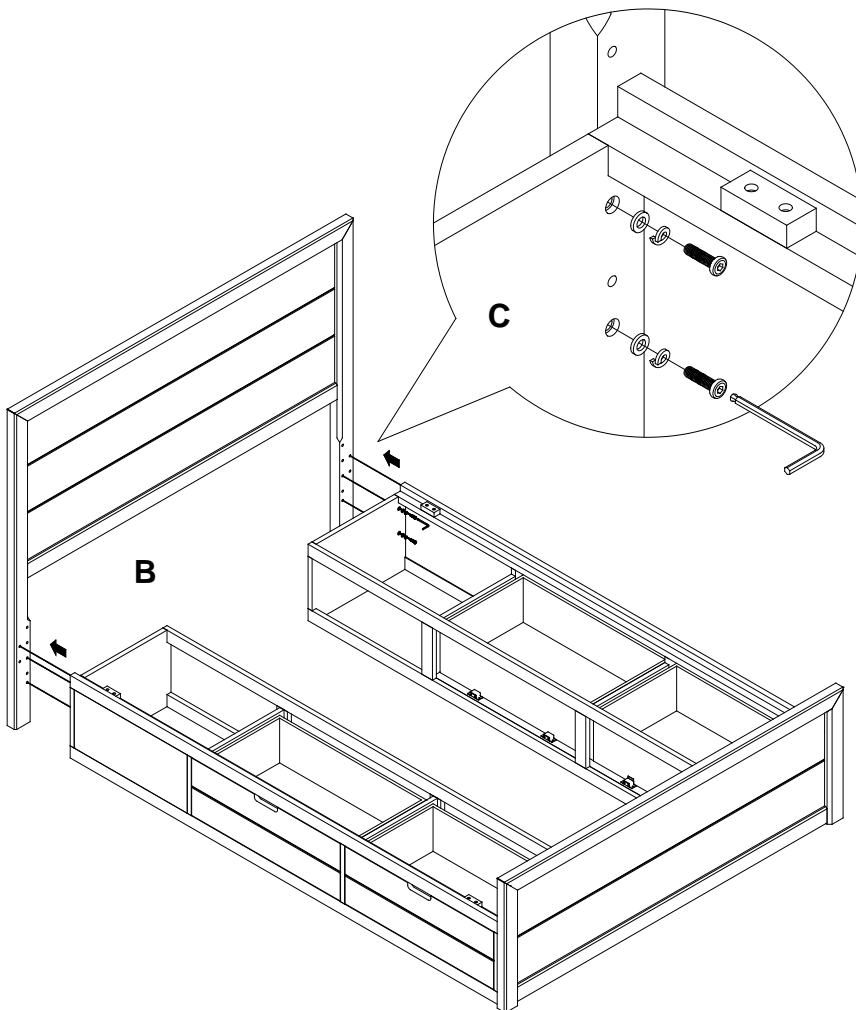




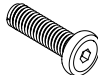
M		4x
N		4x
O		4x

4. Insert the drawers back to the left and right storage as seen below.

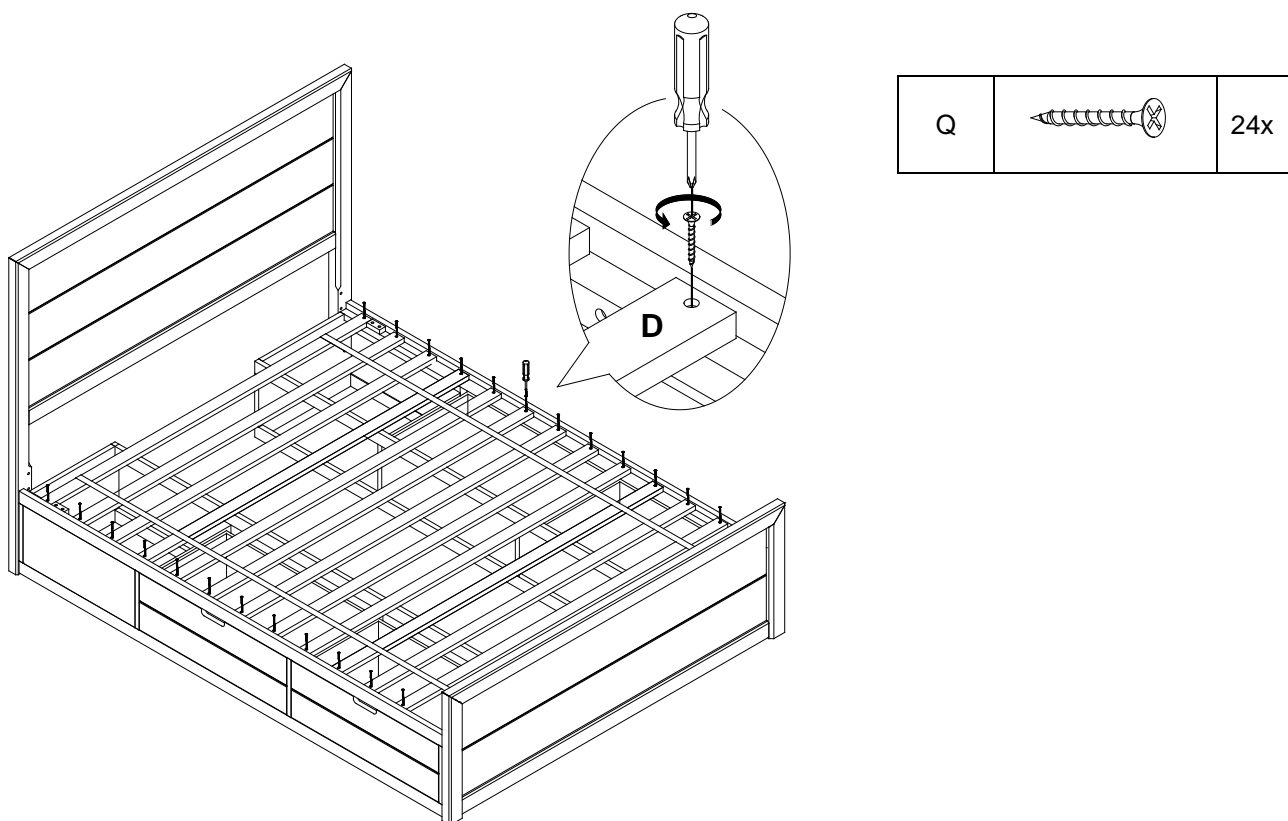


5. Assembly the storage base with the desired headboard, secure by small flat washer (M), small spring washer (N) and short Allen bolt (O) using Allen key (P). Illustration here is Classic Headboard.



M		4x
N		4x
O		4x

6. Roll out the slat roll (D) onto the side rails. Secure each slat with side rails by wood screws (Q) using a Philips head screwdriver, as seen below.



Assembly is completed.

Care Instructions:

- Dust often using a clean, soft, dry and lint-free cloth.
- Blot spills immediately and wipe with a clean, damp, cloth.
- We do not recommend the use of chemical cleansers, abrasives or furniture polish on our lacquered finish.
- Hardware may loosen over time. Periodically check to make sure all connections are tight.
Re-tighten if necessary.

Thank you for your purchase
Stores | catalog