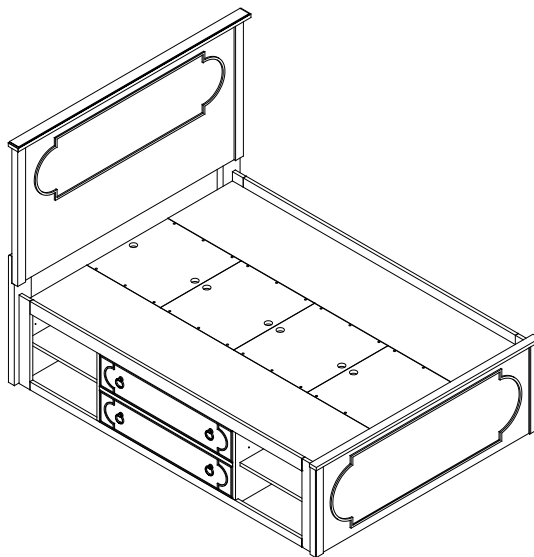


## Shelby Storage Bed TWIN / FULL / QUEEN

### ASSEMBLY INSTRUCTION



#### **Important safety instructions:**

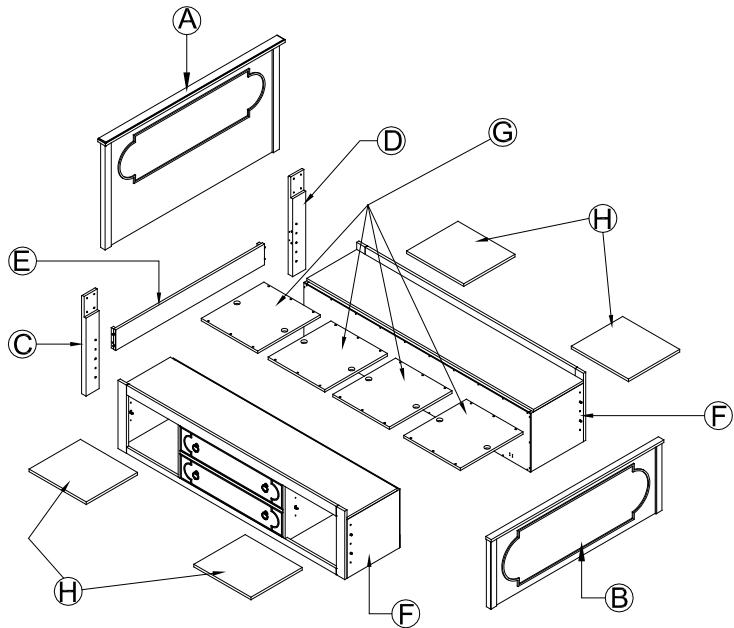
- Please read all instruction carefully before assembling this desk.
- For your safety, assembly by two or more adults is strongly recommended.
- Keep these instructions for future use.
- Use only vendor-supplied hardware to assembly this item. Using unauthorized hardware could jeopardize the structural integrity of the item.

#### **Pre- assembly:**

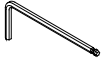
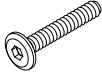
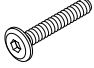
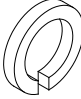

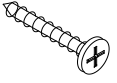
- Remove all parts and hardware from the box and place them on a carpeted or scratch-free work surface. The shipping box provides an ideal work surface.
- To avoid accidentally discarding small parts or hardware, please do not dispose of any contents until assembly is complete.
- Two people are recommended for your safety and ease of assembly.
- Prior to starting the assembly, use the parts and hardware lists to identify and separate each of the pieces included.
- The illustrations provided allow for easier assembly when used in conjunction with the assembly instructions.
- Note: Do not fully tighten any of the bolts until all parts are in place. Failure to follow these instructions may cause the bolts to misalign during assembly.
- Please use caution if using power tools to aid in assembly. Power tools can damage the hardware or split the wood.


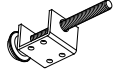



**PARTS INCLUDED:**

- A – Headboard (x1)
- B – Footboard (x1)
- C – Left HB Leg – 1 pc
- D – Right HB Leg – 1 pc
- E – Center Rail – 1 pc
- F – Storage Side Rails – 2 pc
- G – Center Panel – (x4)
- H – Shelf Panel – 4pcs



**HARDWARE INCLUDED:**

I – Ball Tip Allen Key	J – Long Allen Bolt	K – Short Allen Bolt	L – Spring Washer	M – Flat Washer	N – Long Phillips head screw
					
4x95x30mm	1/4"x38xΦ13mm	1/4"x32xΦ13mm	1/4"x10x1.5mm	1/4"x16x1.5mm	8 x 30mm
1pc	12pcs	12pcs	24pcs	24pcs	24pcs

O – Short Phillips head screw	P – Leveler	Q – Pan Head Screw	R – Shelf Support Peg	S – Dowel
				
8 x 17mm	3/8"x109x30mm	8x15mm	5x13x16x1.5mm	Ø 10x25mm
24pcs	6pcs	16pcs	16pcs	8pcs

**TOOLS REQUIRED (but not included):**

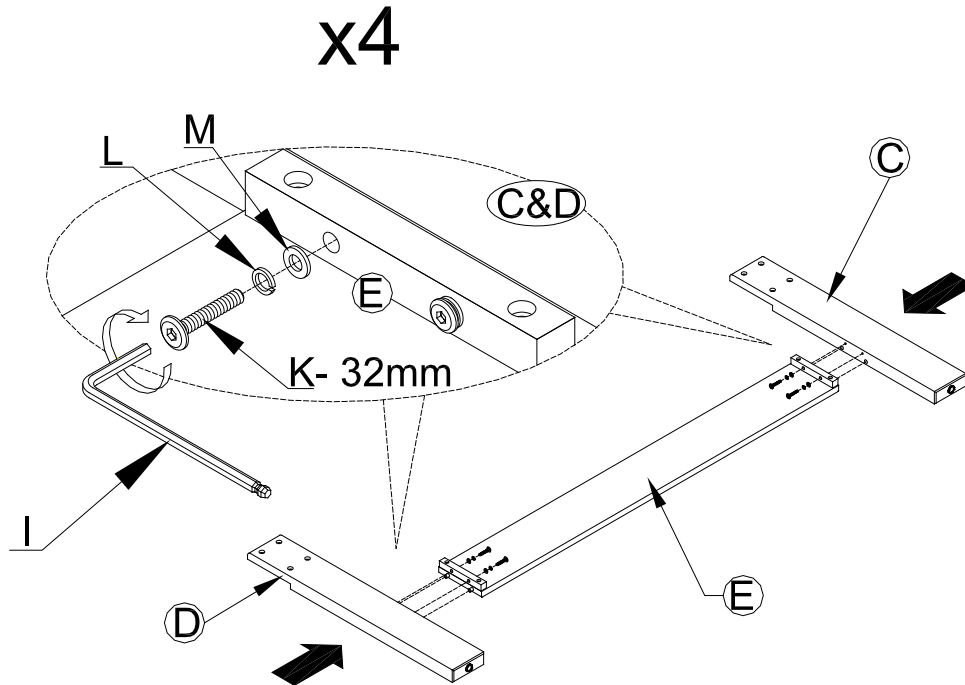
Phillip Head Screwdriver



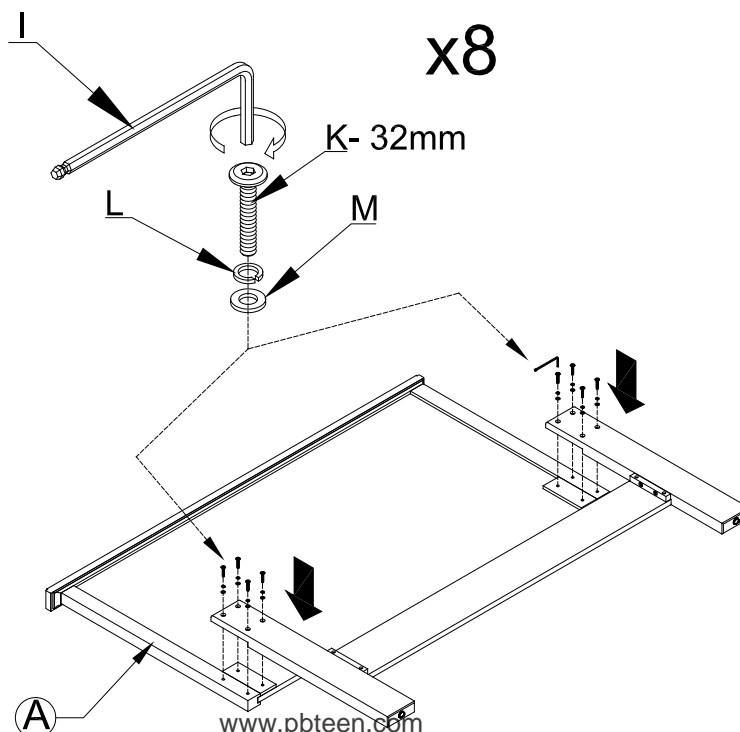
Date: 2014-Sep-05

**ASSEMBLY INSTRUCTIONS:**

1. Attach Left & Right HB Legs (C&D) to the Post of Center Rail (E) by inserting the Short Allen Bolt (K) with Spring Washer (L) and Flat Washer (M) through pre-drilled holes in the Legs (C&D) into the pre-drilled holes in Center Rail (E); tighten with Allen Key (I), as shown below.

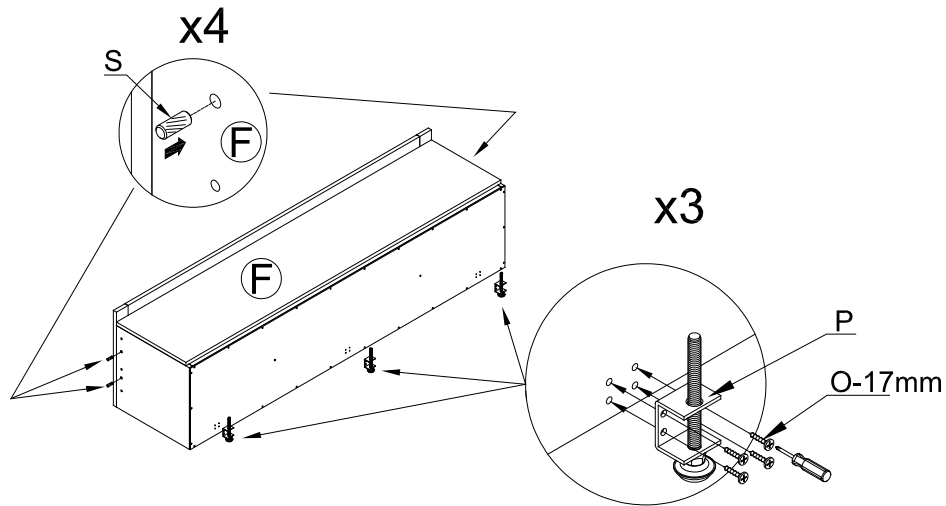


2. Attach Left & Right HB Legs (C&D) to the Headboard (A) by inserting the Short Allen Bolt (K) with Spring Washer (L) and Flat Washer (M) through pre-drilled holes in the Legs (C&D) into the pre-drilled holes in Headboard Posts (A); tighten with Allen Key (I), as shown below.



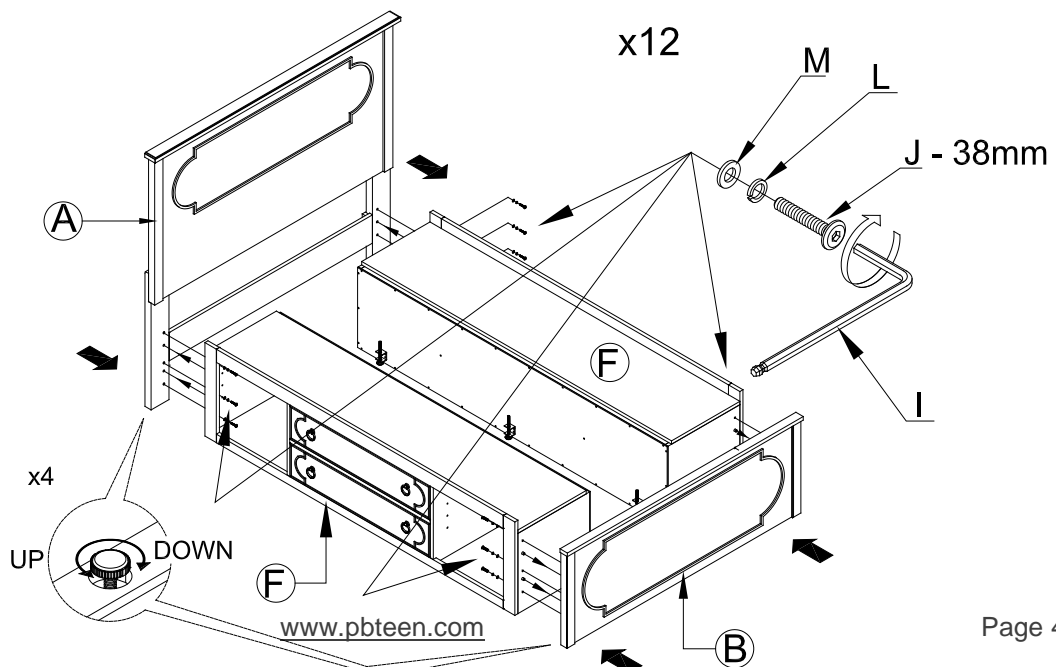
3. Lay the Storage Side rail (F) on a soft, scratch-free surface.
4. Attach the Levelers (P) to the bottom of the Storage Side Rail (F) by inserting Short Philip Head screw (O) through the pre-drilled holes on the Leveler (P) and into the pre-drilled holes on the bottom of the Storage Side rail (F) as shown below; tighten using the Philip Head Screwdriver. Adjust Levelers (P) until they sit level with the Storage Side rail (F). Insert the Wood Dowel (S) into the pre-drilled holes on the outer side panel of Storage Side Rail (F) as seen in illustration below.

Figure 1



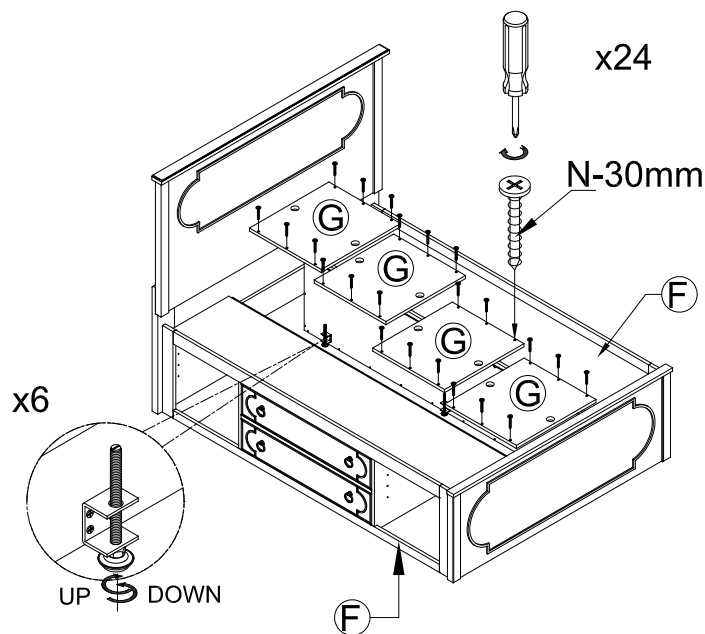
5. Hold Headboard (A) in a vertical position tilted slightly forward.
6. Attach each Storage Side Rail (F) to the Headboard legs by inserting the Long Allen Bolt (J) with Spring Washer (L) and Flat Washer (M) at the inner ends of the Storage Side Rail (F) into the corresponding holes on the Headboard legs using the Allen Key (I). Repeat the same for the Footboard (B) as shown in the illustration below. Adjust Levelers of the Headboard (A) and Footboard (B) until they sit level with the Storage Side rail (F) as shown in illustration below.

Figure 2

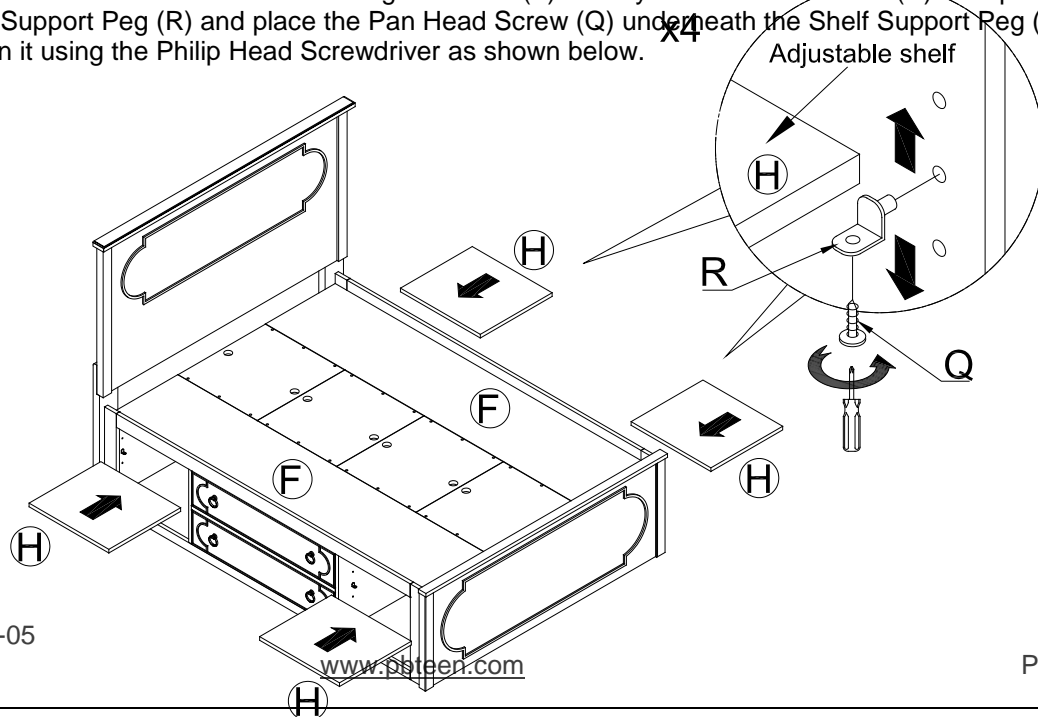


7. Recheck and adjust Levelers (O) until they sit level with the Storage Side rail (F).
8. Lay the Center Panels (G) over the inner grooves on both Storage Side rail Boxes (F) as shown below. Insert Long Phillips Head Screws (N) in the pre-drilled holes; tighten using a Phillips Head Screwdriver.

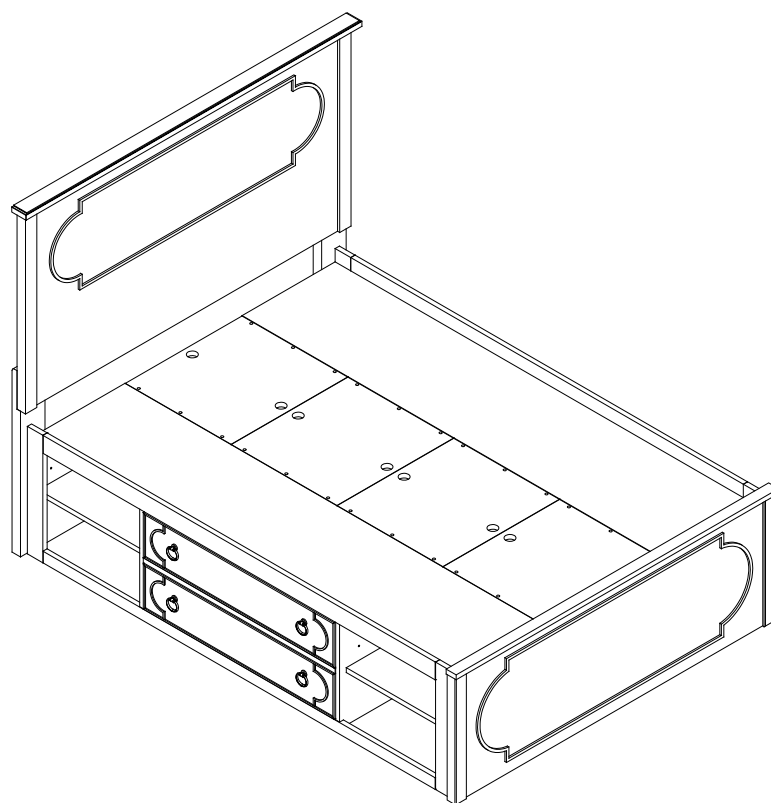
Figure 3



9. Determine the desired level for the Shelf Panel (H). Insert the Shelf Support Peg (R) into the pre-drilled holes on the interior sides of the Storage Side rail (F). Gently rest the Shelf Panel (H) on top of the Shelf Support Peg (R) and place the Pan Head Screw (Q) underneath the Shelf Support Peg (R) hole; tighten it using the Philip Head Screwdriver as shown below.



**10. Assembly is completed.**



**CARE INSTRUCTIONS:**

- Avoid direct sunlight and excessive temperatures.
- Dust often using a clean, soft, dry and lint-free cloth.
- Waxing is not recommended on lacquered finish.
- Hardware should be checked periodically for tightness.