

Sleep & Study Loft Bed

Assembly Instructions 4 of 4



WARNING: Failure to follow these warning and assembly instructions could result in serious injury or death. To help serious or fatal injuries from entrapment or falls:

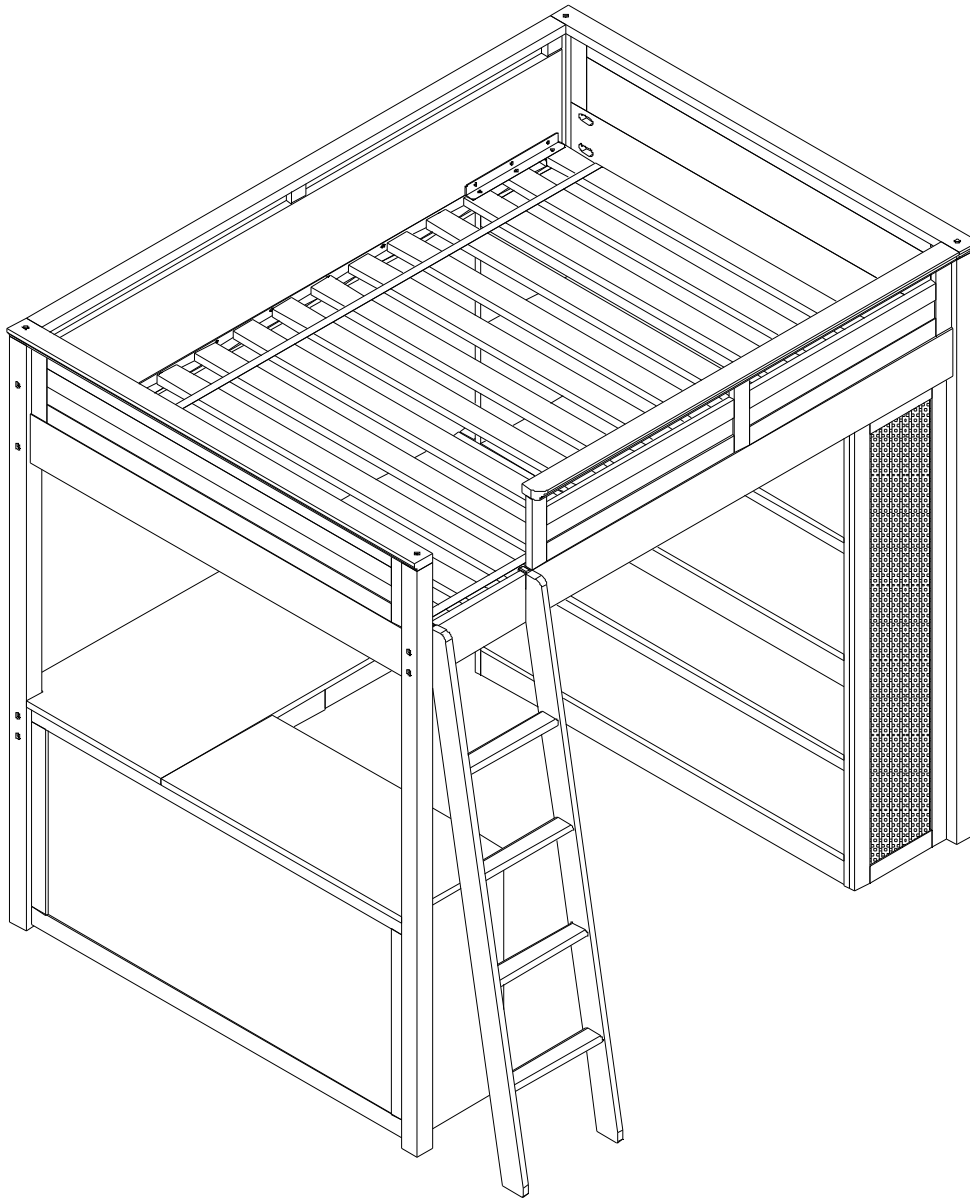
- Read all instructions before assembling bunk bed.
- Before each usage or assembly, inspect bunk bed for damaged hardware, loose joints, missing parts or sharp edges. DO NOT use bunk bed if any parts are missing or broken.
- DO NOT use substitute parts. Contact PBteen for replacement parts and instructional literature if needed.
- Follow the information on the warnings appearing on the upper bunk end structure and on the carton. DO NOT REMOVE WARNING LABEL FROM BED.
- Always use the recommended size mattress or mattress support, or both, to help prevent the likelihood of entrapment or falls.
- Ensure thickness of mattress does not exceed 9 inches and the surface of mattress must be at least 5 inches (127 mm) below the upper edge of guardrails.
- Use only mattress which is 74"-75" long and 52.5"-53.5" wide on upper bunk.
- Do not allow children under 6 years of age to use the upper bunk.
- Periodically check and ensure that the guardrail, ladder, and other components are in their proper position, free from damage, and that all connectors are tight.
- Do not allow horseplay on or under the bed and prohibit jumping on the bed.
- Prohibit more than one person on the upper bunk.
- Always use the ladder for entering and leaving the upper bunk.
- Use of a night light may provide added safety precaution for a child using the upper bunk.
- Always use guardrails on both long sides of the upper bunk. If the bunk bed will be placed next to the wall, the guardrail that runs the full length of the bed should be placed against the wall to prevent entrapment between the bed and wall.
- The use of water or sleep flotation mattresses is prohibited.
- If refinishing, use a non-toxic finish specified for children's products.

STRANGULATION HAZARD - Never attach or hang items to any part of the bunk bed that are not designed for use with the bed; for example, but not limited to, hooks, belts and jump ropes.

KEEP THESE INSTRUCTIONS FOR FUTURE REFERENCE.

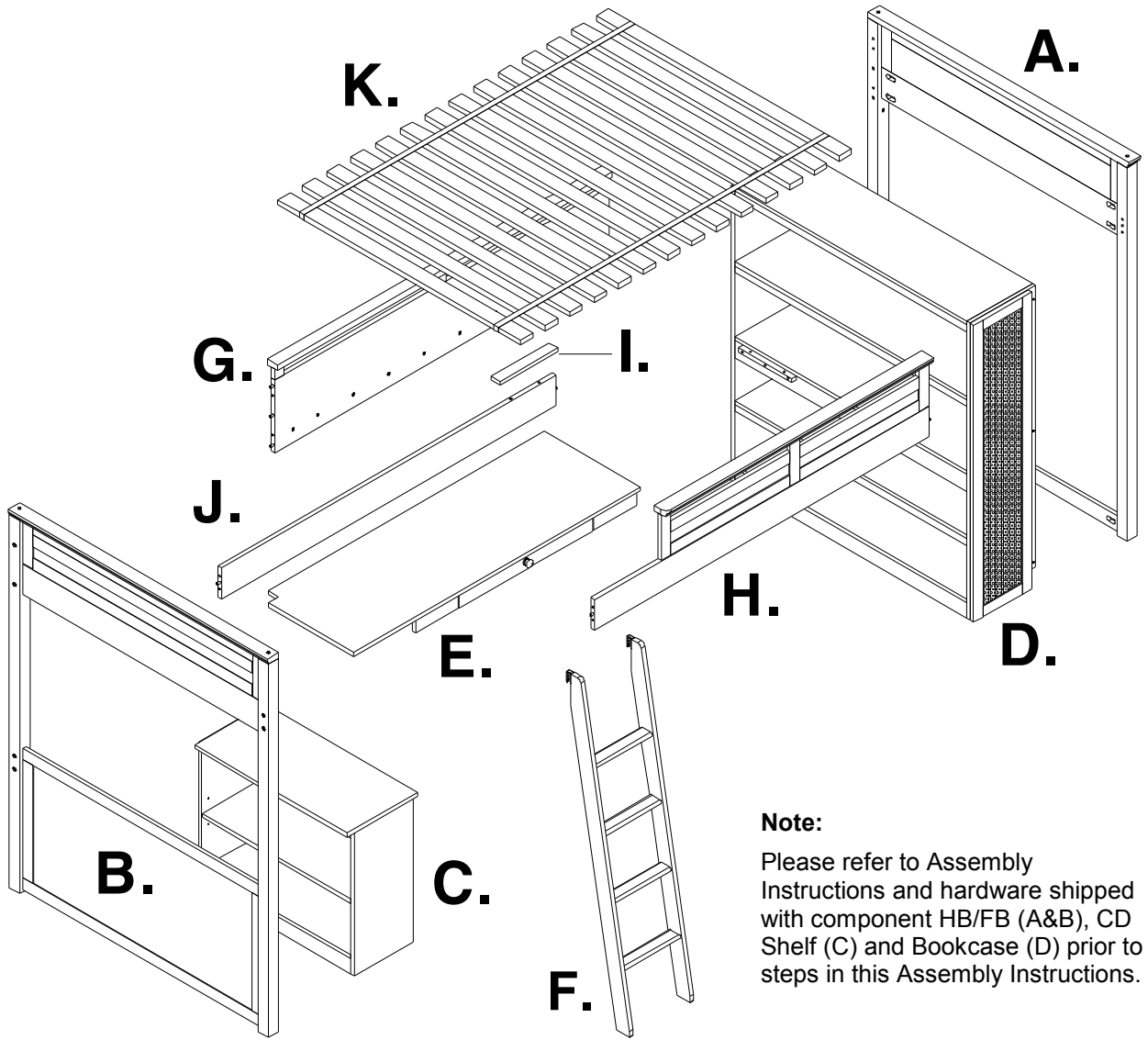
04-000066-3

Sleep & Study Loft Bed



PRE-ASSEMBLY:

- For your safety and ease, assembly by three adults is recommended.
- Please read all instructions before beginning assembly. The illustrations provided allow for easier assembly when used in conjunction with the assembly instructions.
- Remove all parts and hardware from box and lay out on a carpeted or scratch-free work surface. The shipping box provides an ideal work surface. Do not dispose of any contents until assembly is completed to avoid accidentally discarding small parts or hardware.
- Use the parts and hardware lists to identify and separate each of the pieces included prior to starting assembly.
- Note: DO not fully tighten the bolts until all parts are in place. Failure to follow these instructions may cause the bolts to misalign during assembly.
- Do not use power drill as it may cause cracking.



Note:


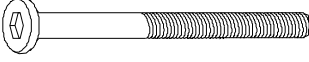
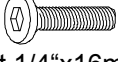


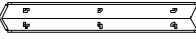

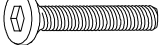



Please refer to Assembly Instructions and hardware shipped with component HB/FB (A&B), CD Shelf (C) and Bookcase (D) prior to steps in this Assembly Instructions.

PARTS LIST

- A). Headboard – 1x
- B). Footboard – 1x
- C). CD Shelf – 1x
- D). Bookcase – 1x
- E). Desktop – 1x
- F). Ladder – 1x
- G). Rear Guardrail – 1x
- H). Front Guardrail – 1x
- I). Wood Block – 1x
- J). Bottom Side Rail – 1x
- K). Slat Roll – 1x

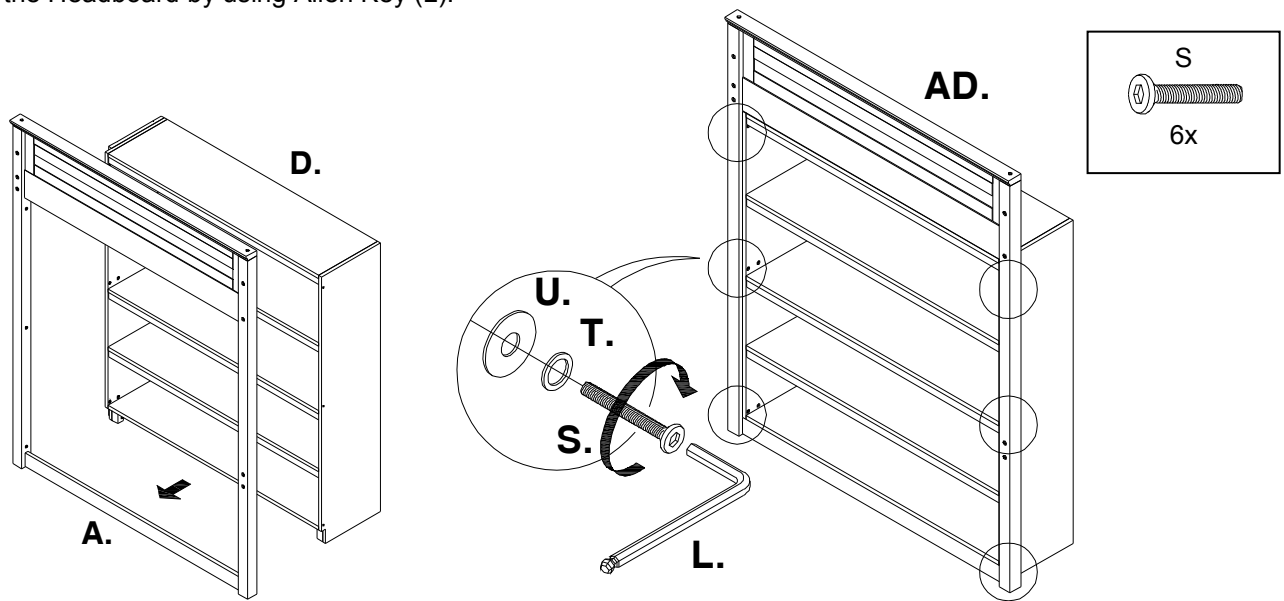
TOOLS REQUIRED: Philips Screwdriver (Not included) 

HARDWARE LIST

 (L) Allen Key – 1x	 (M) Long Bolt 5/16"x92mm – 13x	 (N) Short Bolt 1/4"x16mm – 24x
 (O) Barrel Nut 5/16" – 12x	 (P) Long Metal Support Rail – 2x	
 (Q) Short Metal Support Rail – 2x	 (R) Wood Screw 4x19mm – 36x	 (S) Medium Bolt 1/4" x 28mm – 9x
 (T) Spring Washer – 13x	 (U) Flat Washer – 13x	 (V) L-Shaped Bracket – 2x

ASSEMBLY INSTRUCTIONS:

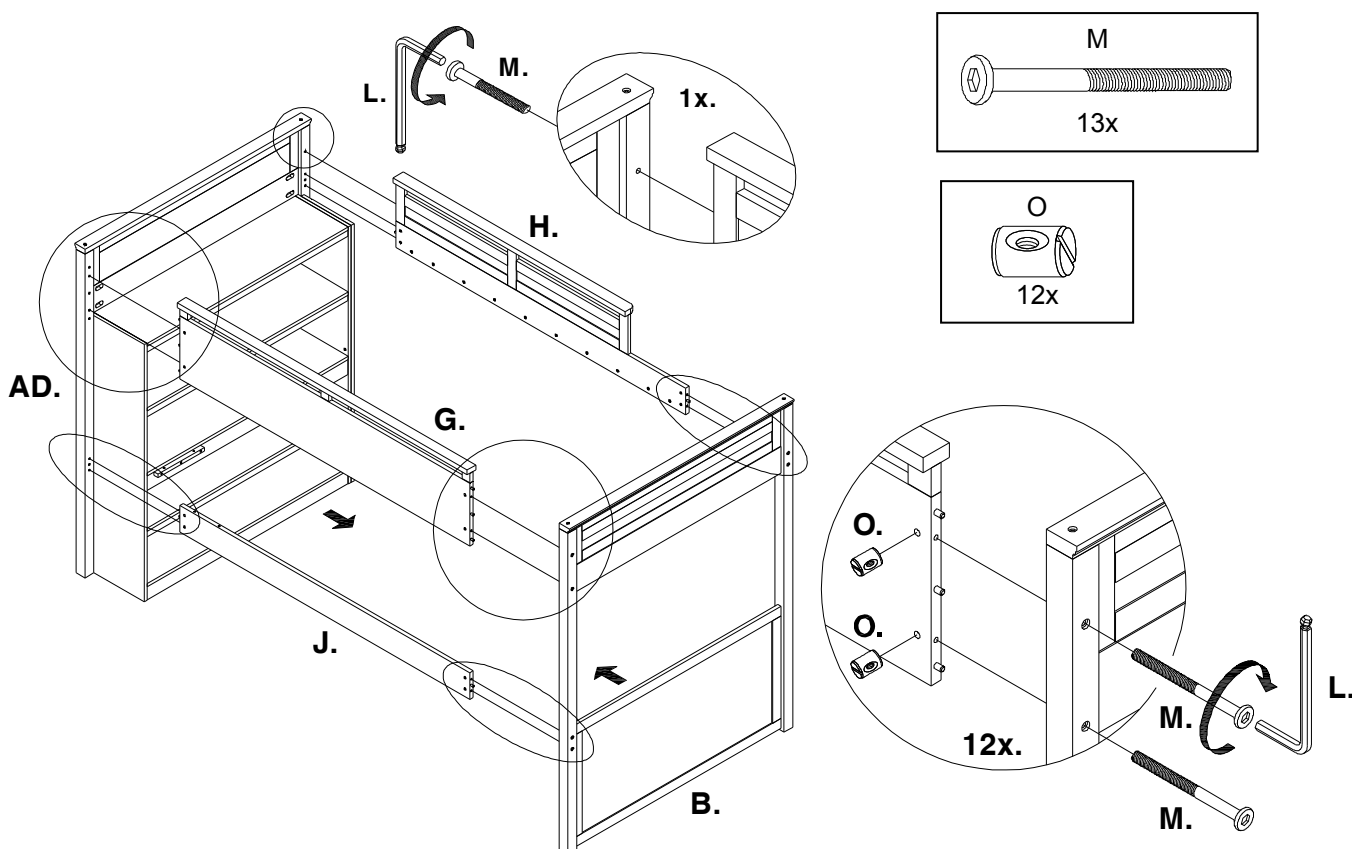
- Slide a Spring Washer (T) and a Flat Washer (U) onto each Medium Bolts (S). Attach Bookcase (D) to Headboard (A) and ensure the bottom cut-out of the Bookcase sits well on bottom rail of the Headboard. Insert (6) Medium Bolts (S) with washers from interiors of the Bookcase into inserts nuts located on posts of the Headboard by using Allen Key (L).



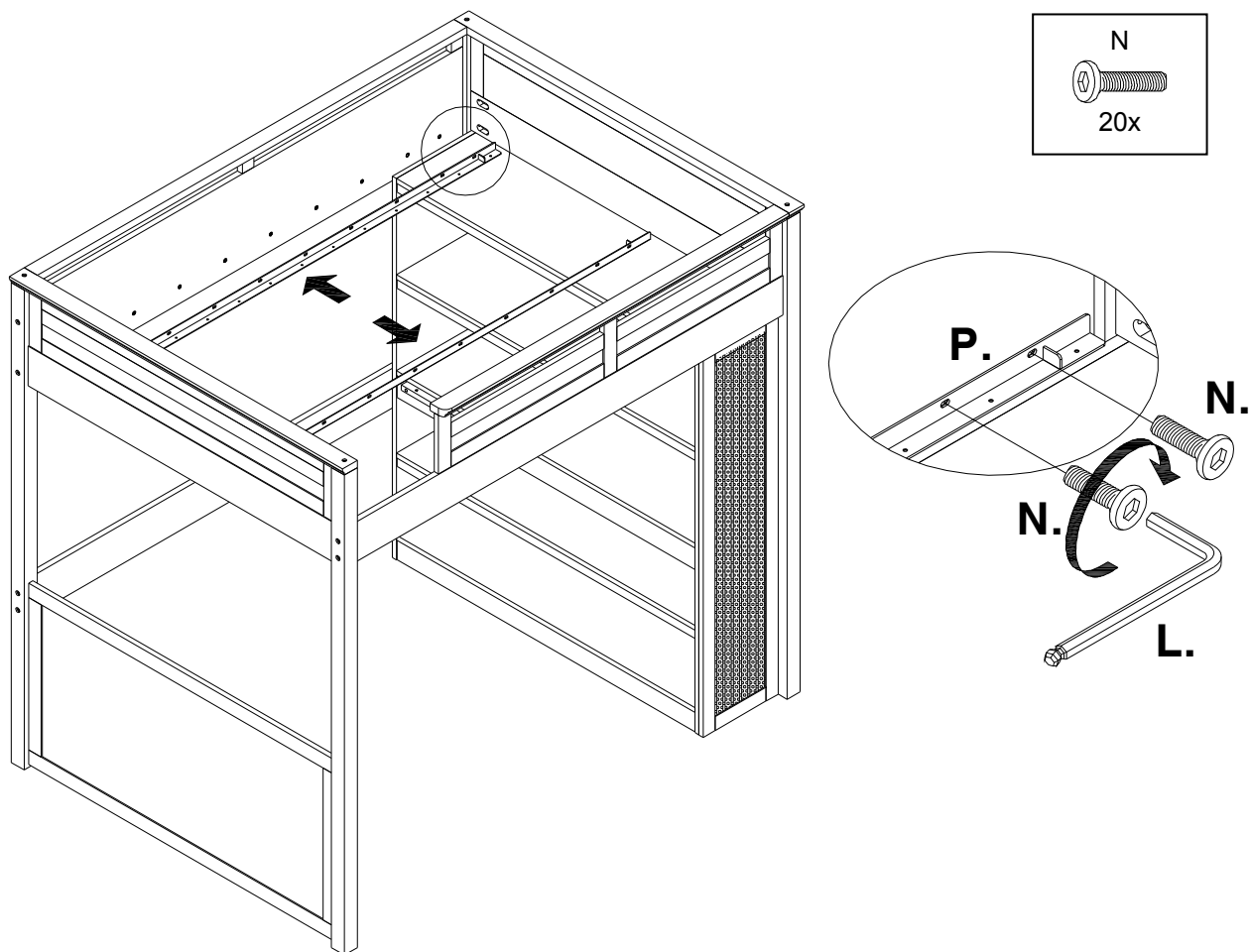
- Align wooden dowels on both ends of Rear Guardrail (G) into pre-drilled holes located on post of Headboard (A) and Footboard (B). Make sure Rear Guardrail (G) is connected to the headboard post without corkboard panel. Insert (4) Barrel Nuts (O) onto cut-outs on exteriors of Rear Guardrail (G) and insert (4) Long Bolts (M) through the post of Headboard/Footboard into corresponding barrel nuts. Do not tighten bolts.

Connect Bottom Side Rail (J) to the post of Headboard/Footboard under Rear Guard Rail (G) and use (4) Barrel Nut (O) and (4) Long Bolts (M) to secure following previous step. You may need to loose the bolts securing Rear Guardrail (G) to allow the Bottom Side Rail to connect. Do not tighten bolts.

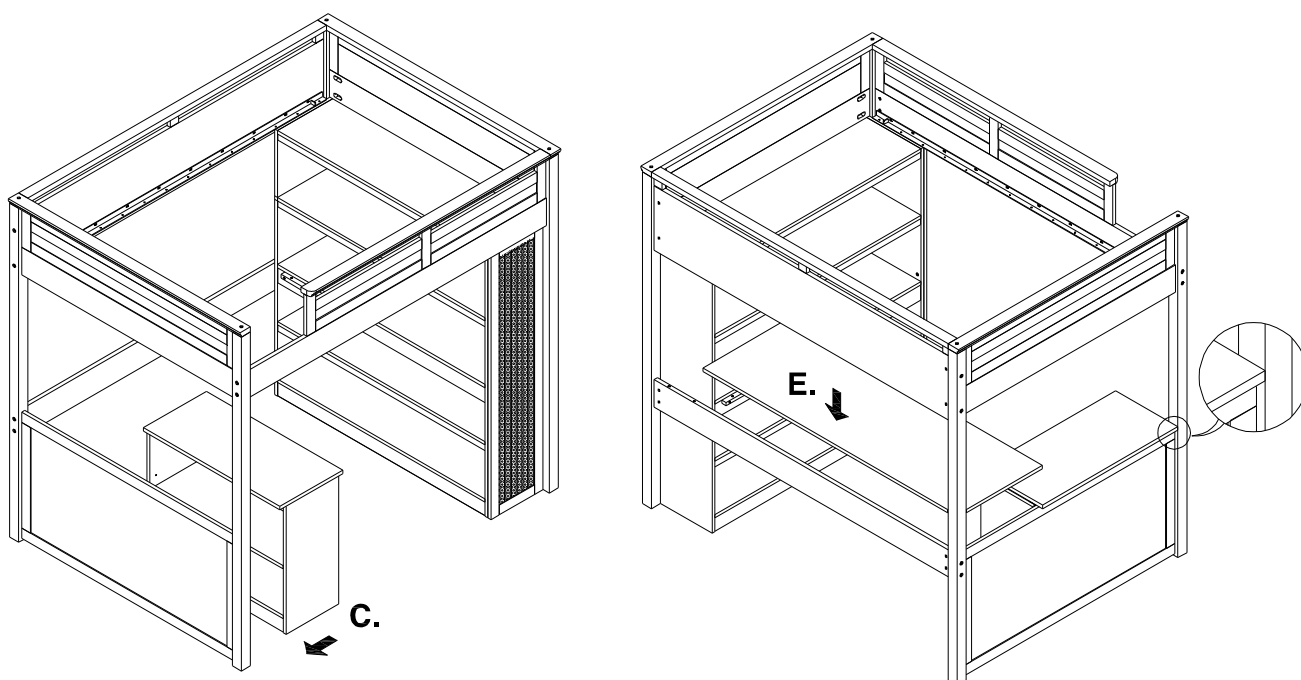
Align wooden dowels on both ends of Front Guardrail (H) into pre-drilled holes located on post of Headboard and Footboard and use (4) Barrel Nut (O) and (4) Long Bolts (M) on the interiors to secure, following previous step. Insert (1) Long Bolt (M) from the remaining pre-drilled hole located on the Headboard post into insert nut located on Front Guardrail (H). Check alignments and tighten all connecting bolts,



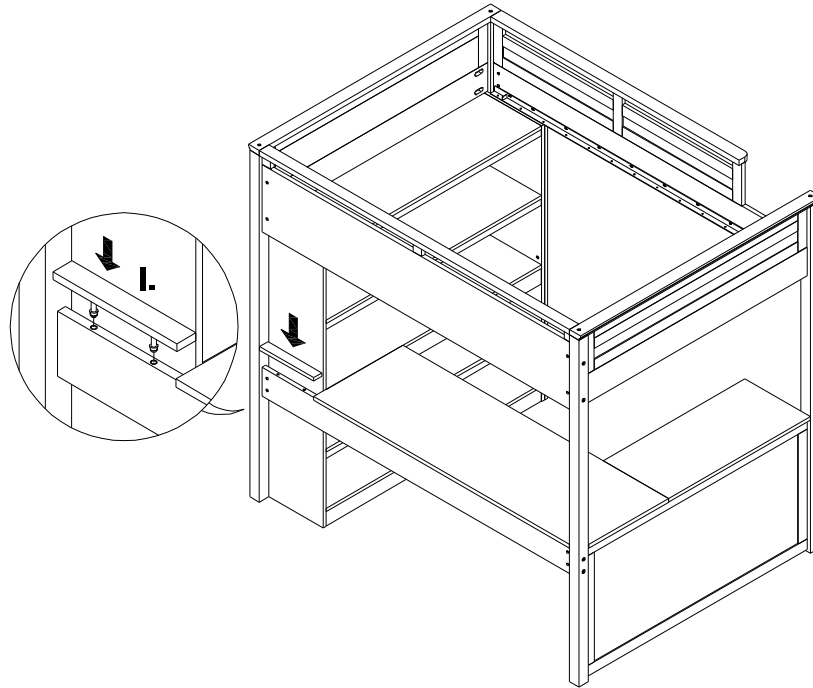
3. To attach Long Metal Support Rail (P) to interiors of the Rear Guardrail, insert (10) Short Bolts through pre-drilled holes on the Long Metal Support Rail into insert nuts pre-installed on the Rear Guardrail. Do not fully tighten all short bolts before all bolts are in place. Repeat the same procedure to connect the other Long Metal Support Rail to the Front Guardrail.



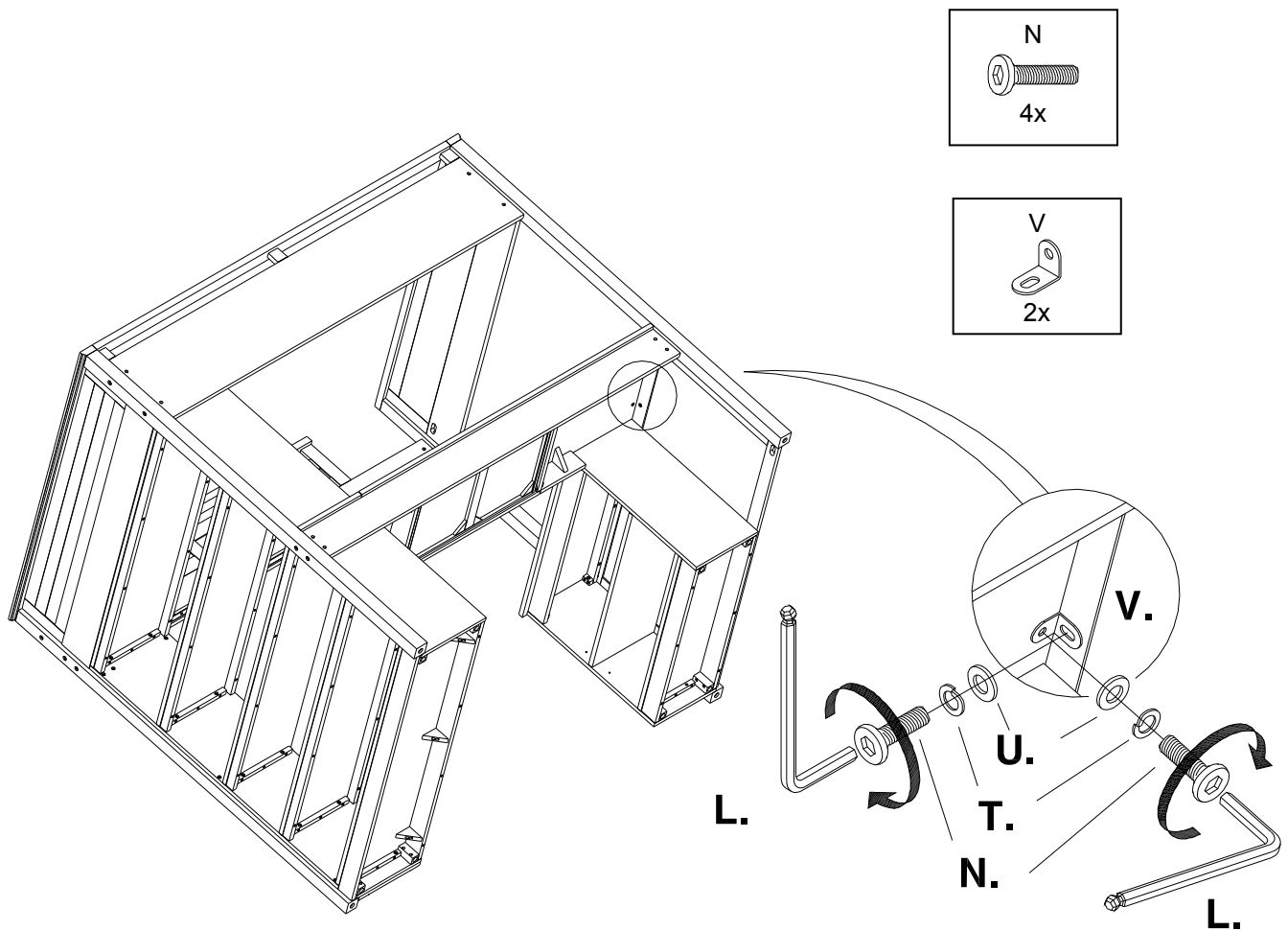
4. Place CD Shelf (C) beside front post of Footboard. Note: wide apron under top of CD Shelf faces inwards. Place Desktop (E) onto top of the Bottom Side Rail, bottom panel of the Footboard, wood cleat located on center shelf of the Bookcase and ledge of the CD Shelf. Desktop drawer faces inwards.



5. Place Wood Block (I) into the pre-drilled holes located on Bottom Side Rail (J) as shown below.

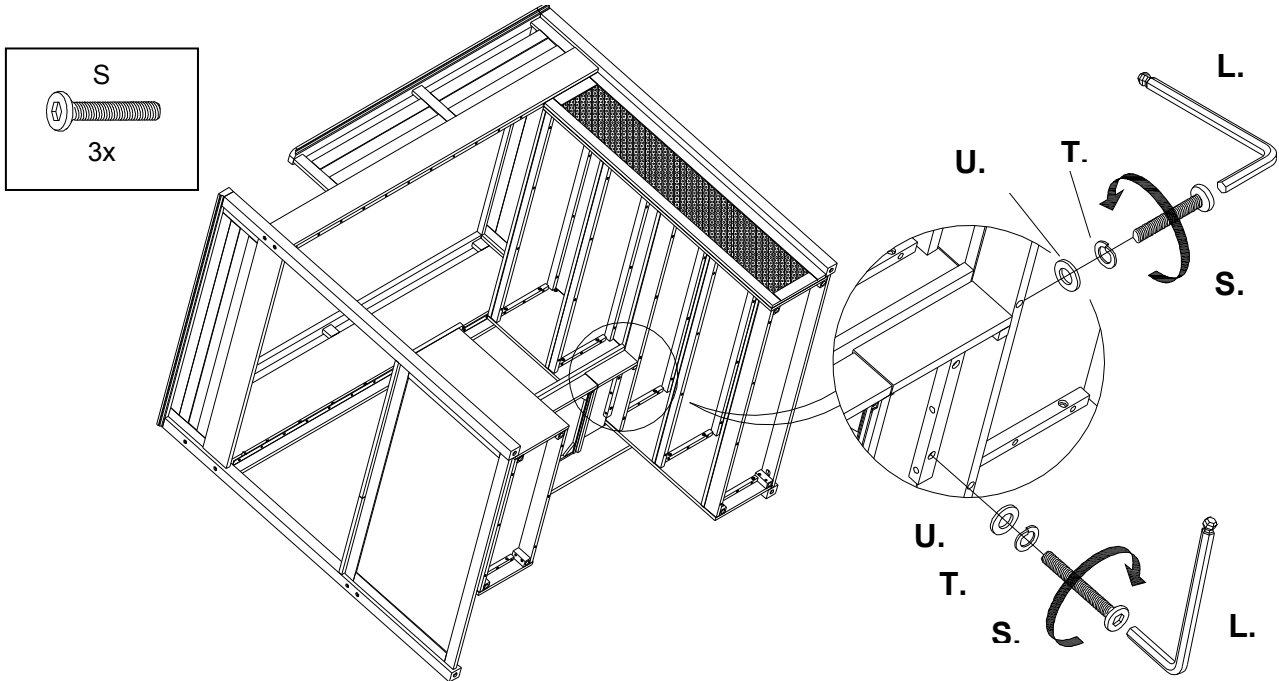


6. Slide a Spring Washer (T) and a Flat Washer (U) onto (4) Short Bolt (N). Align (2) L-Shaped Bracket (V) to pre-drilled holes located on bottom of the Desktop and Footboard Bottom Panel and insert (4) Short Bolts (N) with washers to secure.



- Slide a Spring Washer (T) and a Flat Washer (U) onto (3) Medium Bolt (S). Under the desktop, insert (2) Medium Bolts (S) with washers from wooden cleat pre-installed to Center Shelf of the Bookcase into insert nuts located on bottom of the Desktop.

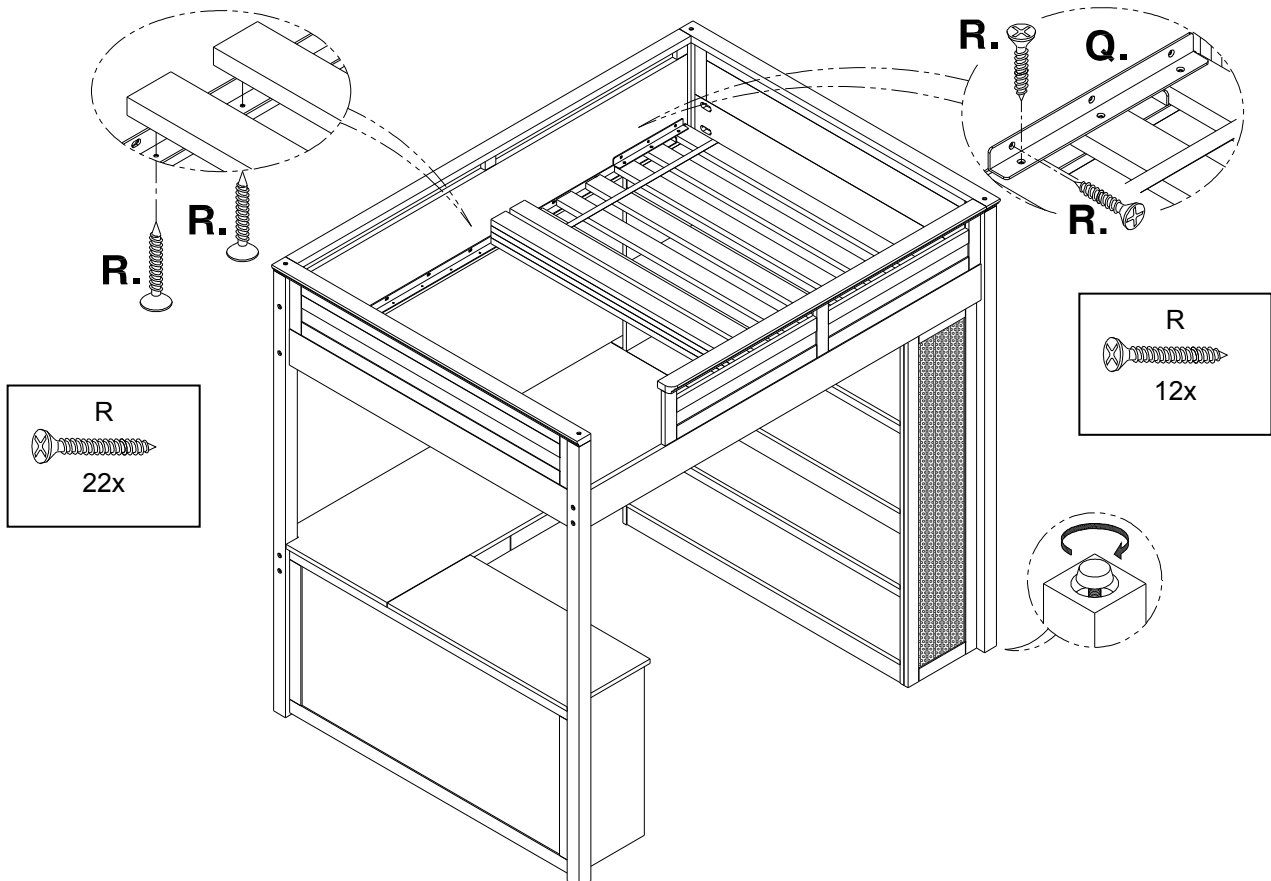
Insert (1) Medium Bolt (S) with washers from pre-drilled hole located on apron of the Bookcase center shelf into pre-drilled hole located on wooden cleat which is pre-attached to front apron of the Desktop.



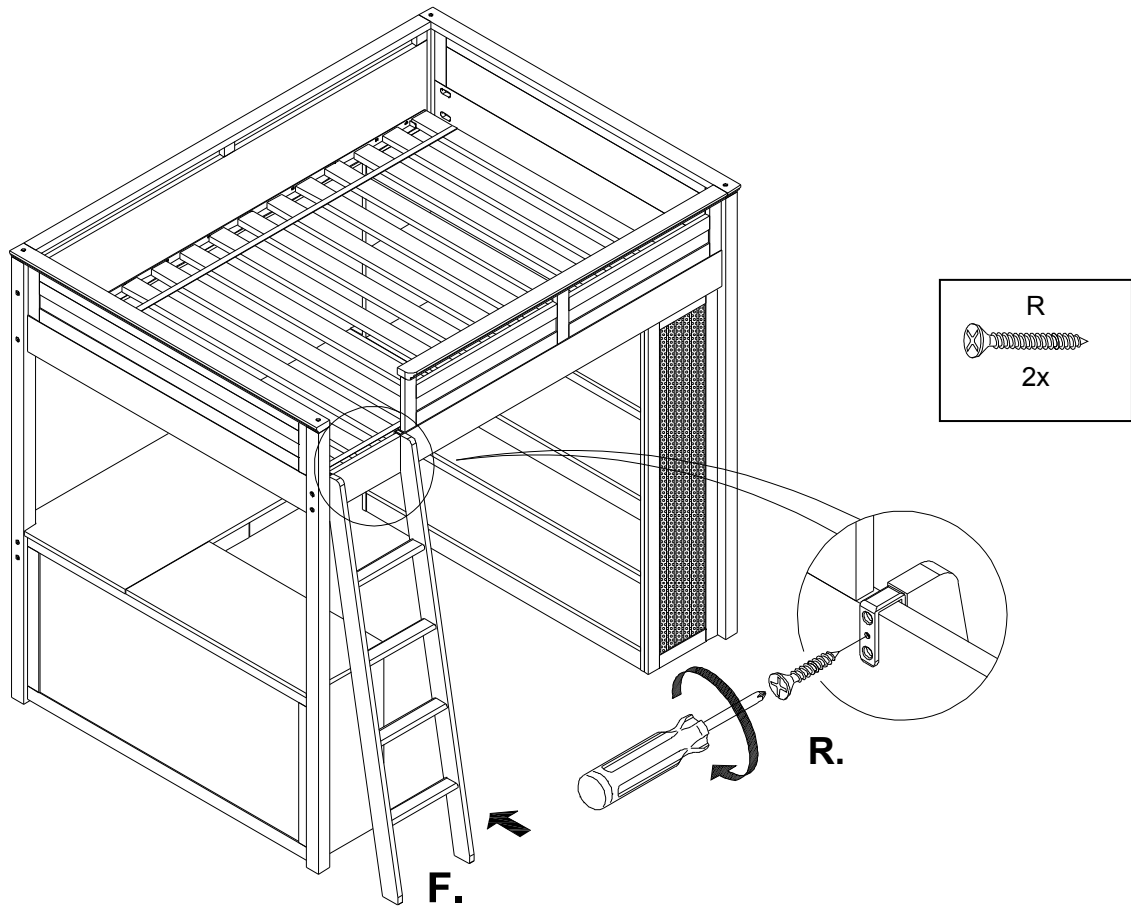
- Place Slat Roll (K) onto Long Metal Support Rails, with straps facing up. With a safety step ladder, roll slats out exposing 3-4 slats first. Attach Short Metal Support Rail (Q) onto each end of the first 3 slats above the bookcase. Use (3) Wood Screws (R) to secure each Short Metal Support Rail to the first 3 slats and use another (3) Wood Screws (R) to secure each Short Metal Support Rail to Rear/Front Guardrail.

Fully extend the slat roll and insert (22) Wood Screw (R) through pre-drilled hole located on bottom of the Long Metal Guard Rail into wood slats by using a Philips Head Screw Driver from bottom.

Adjust levelers located on bottom of HB/FB posts to keep the bed level when needed.



9. Attach Ladder (F) to opening of the Front Guardrail and hook the brackets pre-installed on the Ladder to the Front Guardrail. Insert (2) Wood Screw (R) to secure by using Philips Head Screw Driver.



CARE INSTRUCTIONS:

- Dust with a clean, soft cloth.
- Avoid the use of chemicals and harsh cleaning agents.