

Assembly Instructions

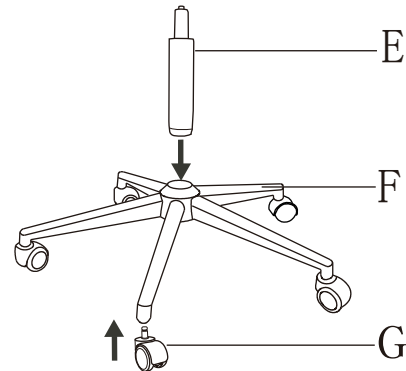


Warning! Chair arms are for gaming support only.
To avoid damage or injury, do not sit on the arms. Do not use arms to EXIT from the chair or to MOVE or LIFT the chair.

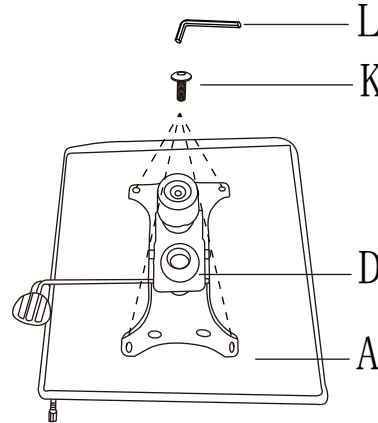


WARNING
Crush Hazard
Keep hands and fingers away

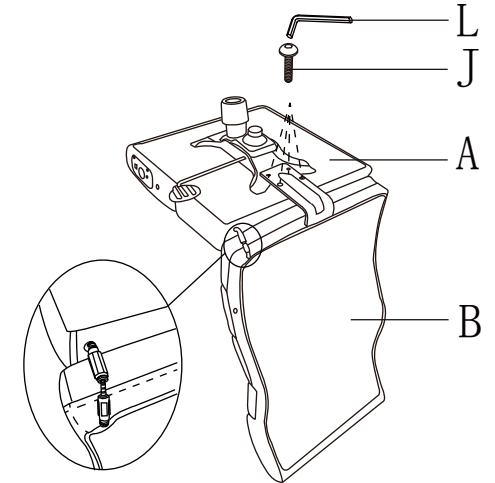
A		1
B		1
C		2
D		1
E		1
F		1
G		5
H		2
I		2
J		4
K		4
L		1
M		1



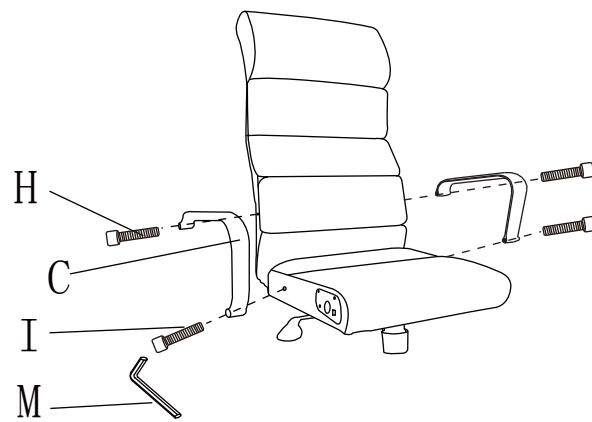
Step 1:
Attach gas lift (E) to the star base (F), and insert wheel (G) to base (F).



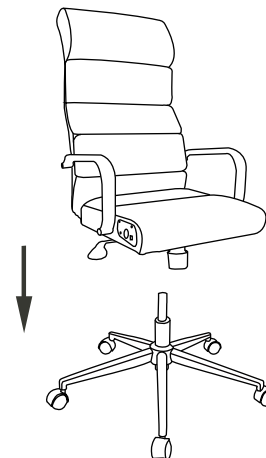
Step 2:
Turn the chair seat (A) over to install the mechanism (D). Tighten the bolts (K) with Allen wrench (L).



Step 3:
Assemble the chair back (B). Tighten the bolts (J) with Allen wrench (L). Combine the two parts together as shown on the instruction.



Step 4:
Attach the arms (C) to the chair. Use the Allen wrench (M) to tighten the bolts (H & I) accordingly. The arms should be pivoted freely after assembling correctly.



Step 5:
Put the assembled upper part to the assembled base part.



Step 6:
Chair assembled successfully.