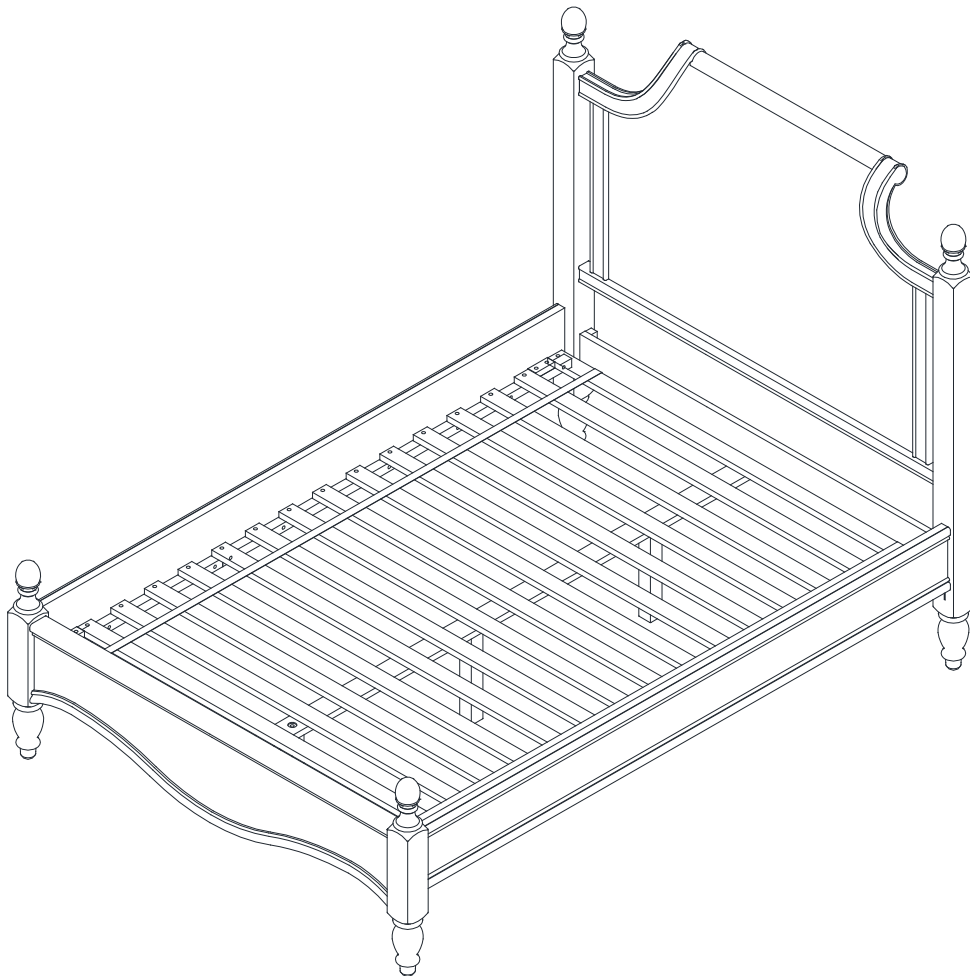


SOPHIE QUEEN BED

ASSEMBLY INSTRUCTION



IMPORTANT SAFETY INSTRUCTIONS:

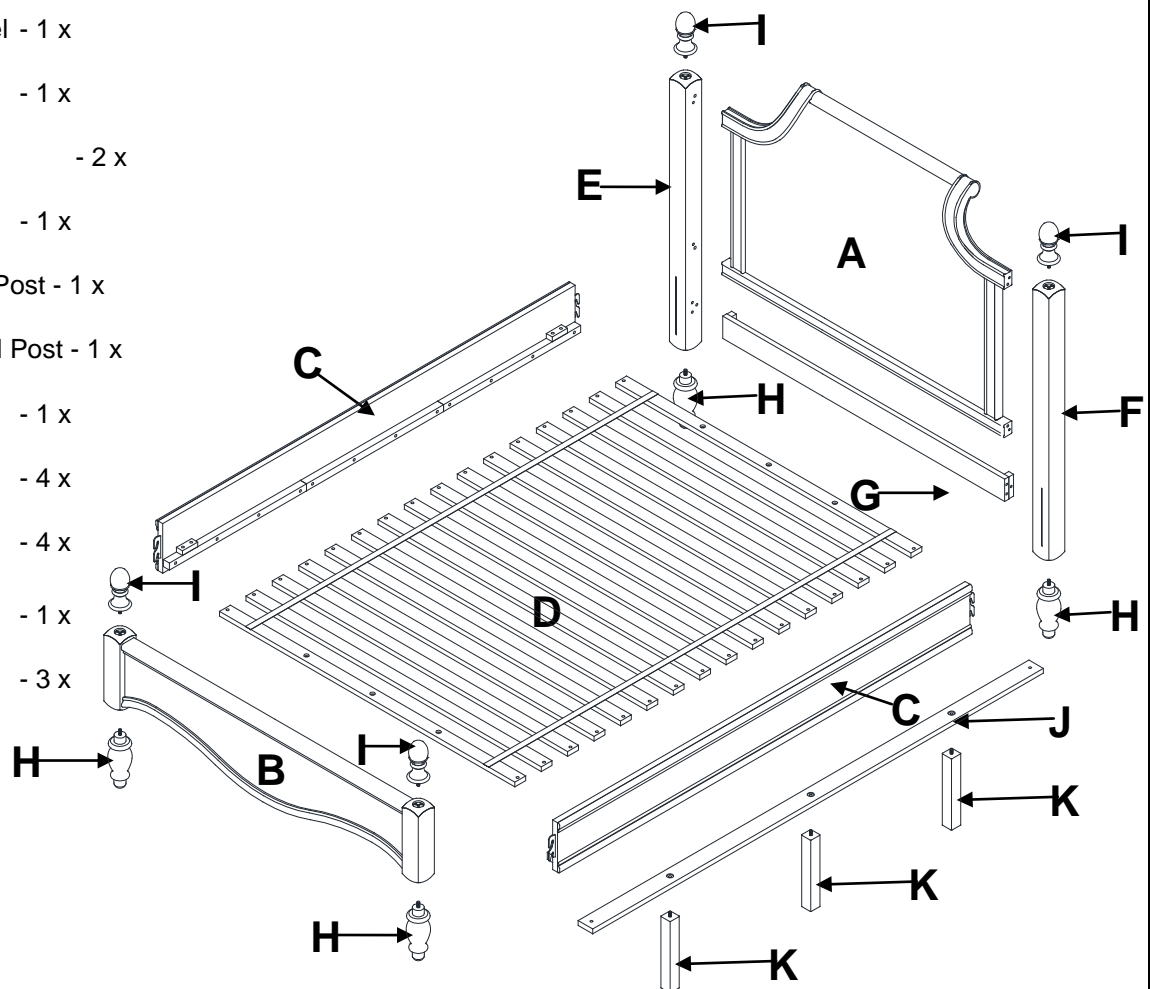
- Please read all instructions carefully before assembling this bed.
- For your safety, assembly by two or more adults is strongly recommended.
- Keep these instructions for future use.
- Use only vendor-supplied hardware to assembly this item. Using unauthorized hardware could jeopardize the structural integrity of the item.

PRE- ASSEMBLY:

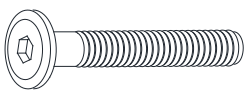
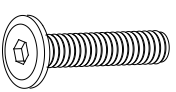

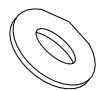
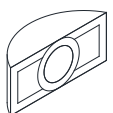


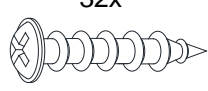
- Remove all parts and hardware from the box. Place them on a carpeted or scratch-free work surface, as this will avoid damaging parts. The shipping box provides an ideal work surface.
- To avoid accidentally discarding small parts or hardware, please do not dispose of any contents until assembly is complete.
- Two people are recommended for your safety and ease of assembly.
- Prior to starting this assembly, use the parts and hardware lists to identify and separate each of the pieces included.
- The illustrations provided allow for easier assembly when used in conjunction with the assembly instructions.
- Note: Do not fully tighten any of the bolts until all parts are in place. Failure to follow these instructions may cause the bolts to misalign during assembly.
- Please use caution if using power tools to aid in assembly. Power tools can damage the hardware or split the wood.

PARTS INCLUDED:

- (A) Headboard Panel - 1 x
- (B) Footboard - 1 x
- (C) Side Rail - 2 x
- (D) Slat Roll - 1 x
- (E) Left Headboard Post - 1 x
- (F) Right Headboard Post - 1 x
- (G) Stretcher - 1 x
- (H) Bun feet - 4 x
- (I) Finial - 4 x
- (J) Support Rail - 1 x
- (K) Support Leg - 3 x



HARDWARE INCLUDED:

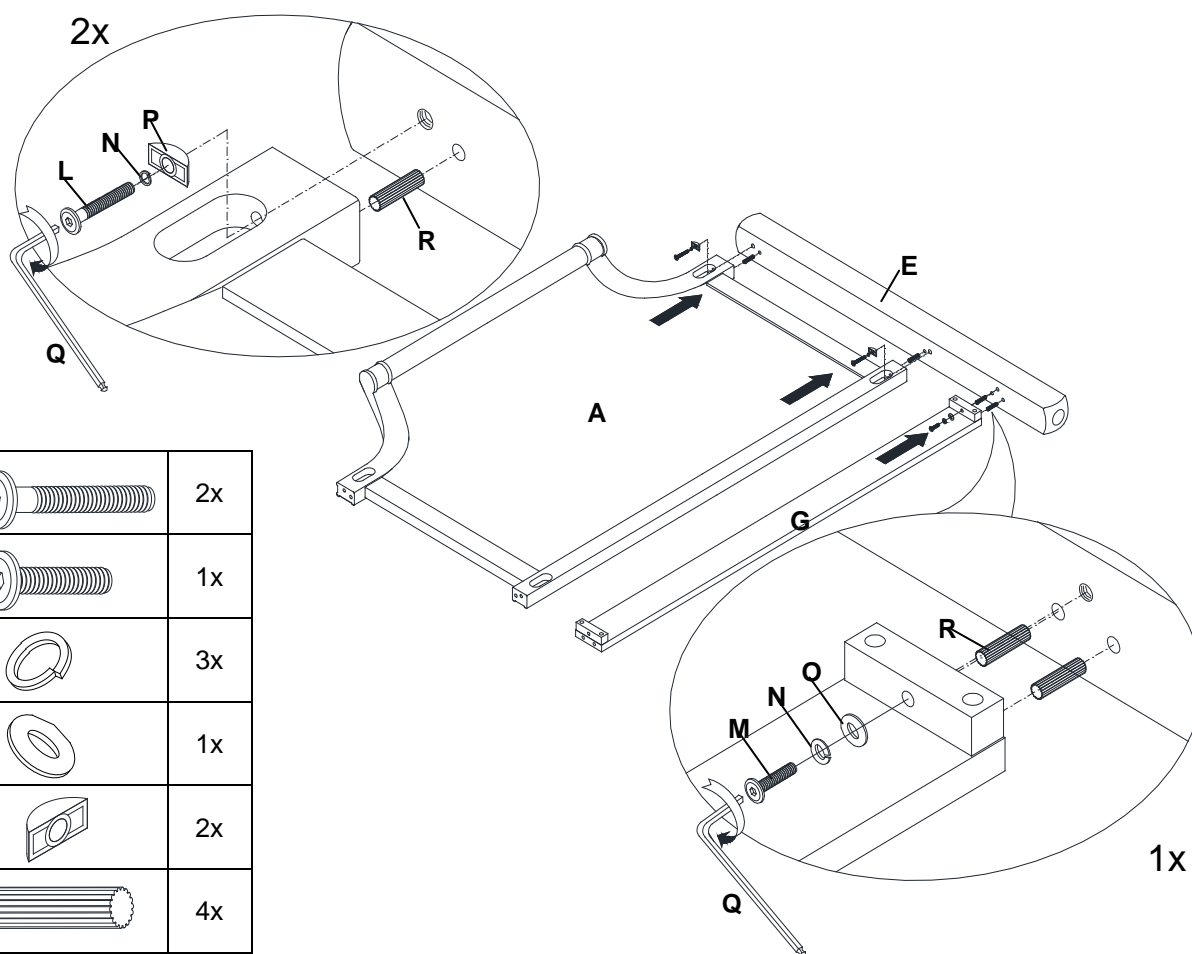
(L) Bolt M6x60mm – 4x 	(M) Bolt M6x38mm – 4x 	(N) Lock Washer – 8x 	(O) Flat Washer – 4x 
(P) Half Moon Washer – 4x 	(Q) Allen Key 4mm – 1x 	(R) Dowel 8x30mm – 8x 	(S) RH Screw 8x25mm – 32x 

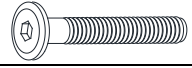
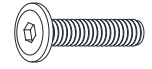



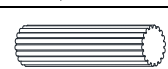
TOOLS REQUIRED (NOT INCLUDED):




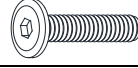




ASSEMBLY INSTRUCTION STEPS:

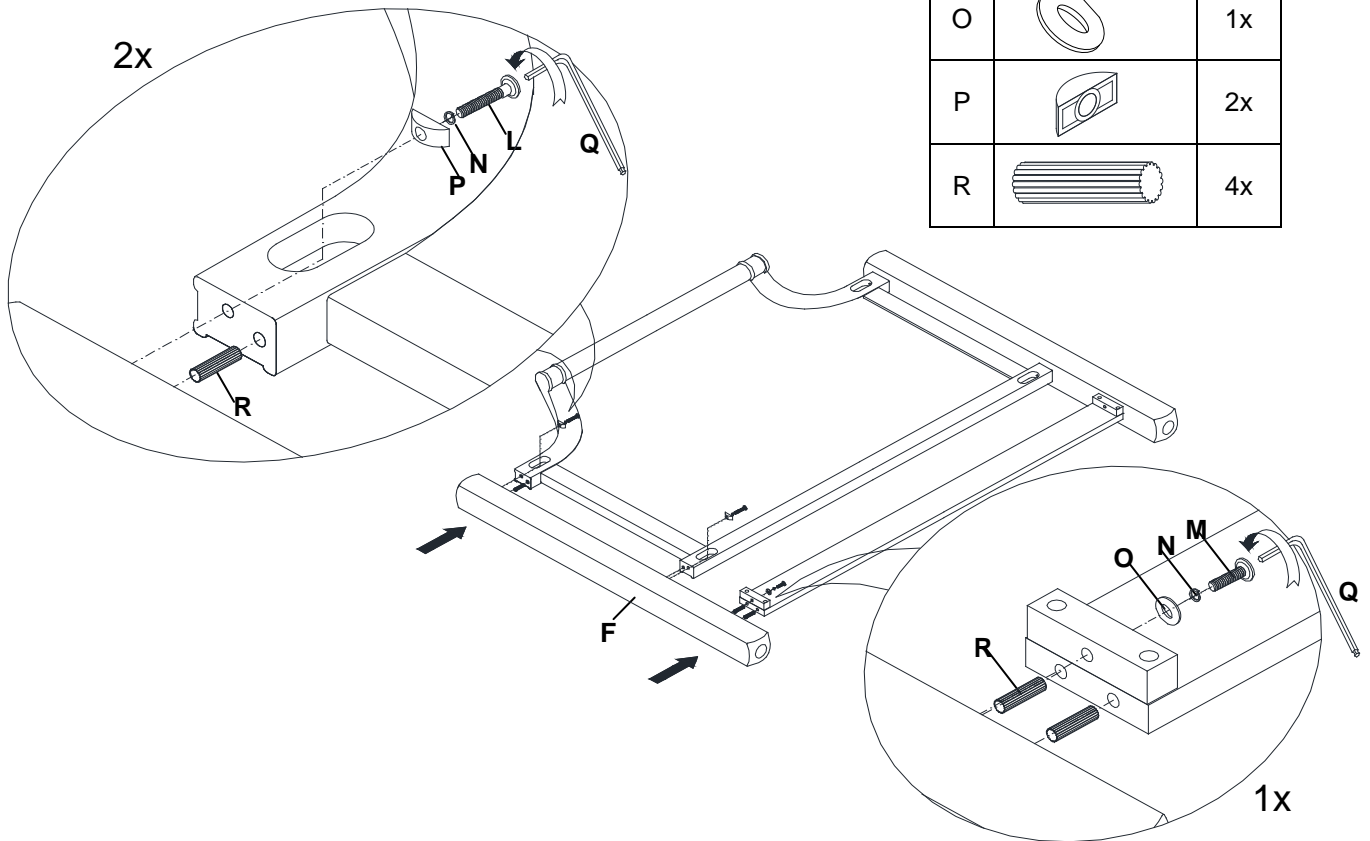
1. Put all furniture parts on a soft, scratch free surface such as a carpet or rug.
2. Attach the Headboard Panel (A) to the Left Headboard Post (E) and secure with 2 sets of: Bolt (L), Lock Washer (N), Half Moon Washer (P), and 2 Wooden Dowels 8x30mm (R), as seen in the illustration below.
3. Attach Stretcher (G) to the Left Headboard Post (E) and secure with 1 set of: Bolt (M), Lock Washer (N), Flat Washer (O), and 2 Wooden Dowels (R), as seen in the illustration below.
4. Tighten all bolts with Allen Key (Q).



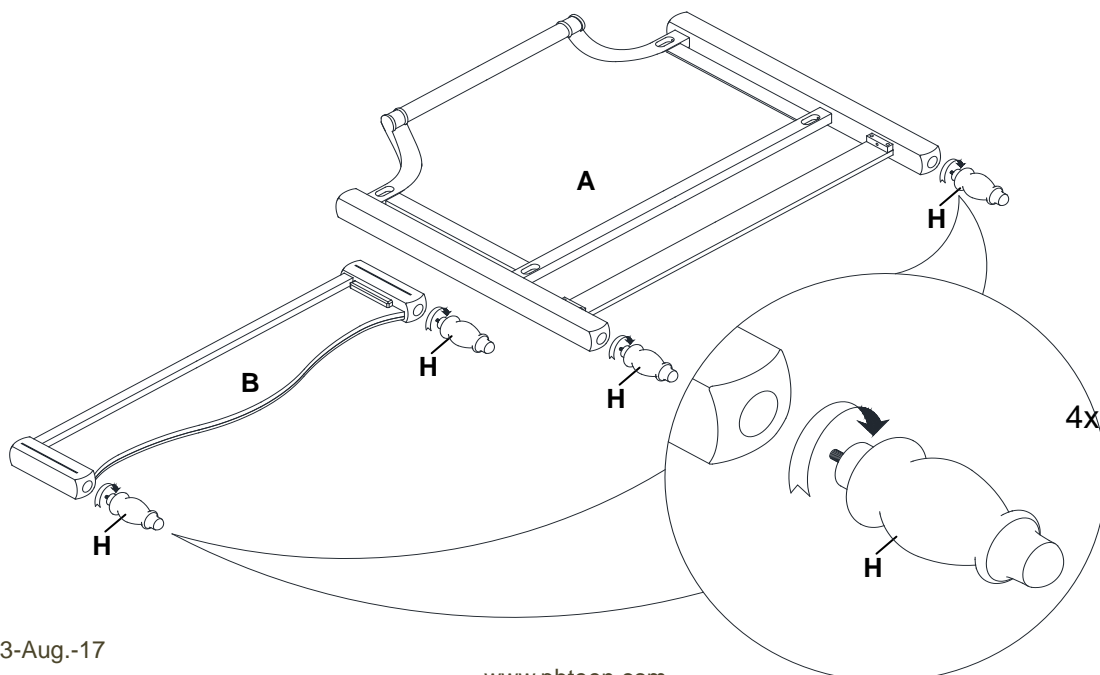
L		2x
M		1x
N		3x
O		1x
P		2x
R		4x

5. Repeat steps # 2 - #4 to assemble the Right Headboard Post (F) to Headboard (A), as seen in the illustration below.

L		2x
M		1x
N		3x
O		1x
P		2x
R		4x

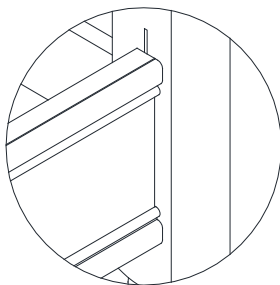


6. Thread the 4 Bun Feet (H) into the pre-fixed insert nuts found under the Headboard and Footboard Posts (A&B) in a clock-wise direction until tight, as seen in the illustration below.

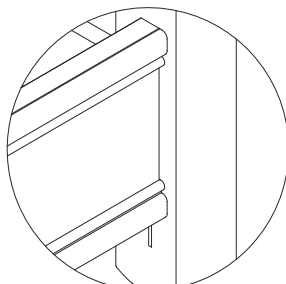


7. Determine the desired location of bed and then hold the assembled Headboard (A) in a vertical position- tilted slightly forward.
8. Attach each Side Rail (C) to the Headboard (A) by inserting the hook (pre-attached at the ends of the Side Rail) into the corresponding slots of the Left & Right Headboard Post (E&F).
9. Push down firmly on the top of the Side Rails (C) until they sit themselves over the pins, inside the Post slots, as shown in the illustration below. Be sure the small ledge on each Side Rail (C) is facing inward.
10. Repeat steps #8 and #9 to assemble the Footboard (B), as seen in the illustration below.

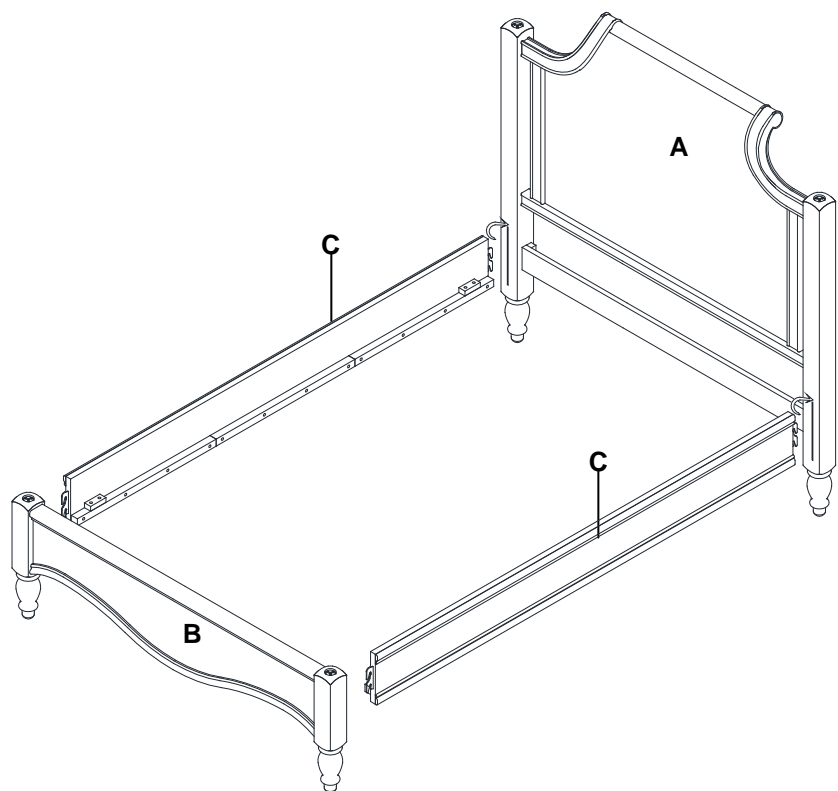
There are two levels for the Side Rails (C). If you plan to use a trundle, please use the higher setting.



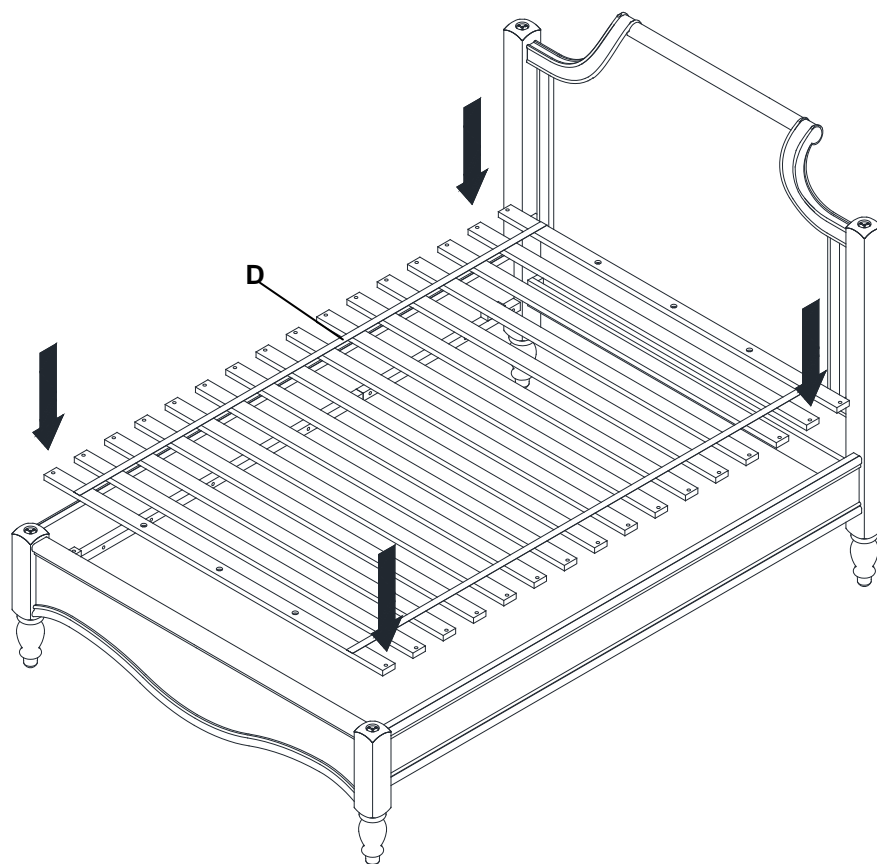
LOWER SETTING



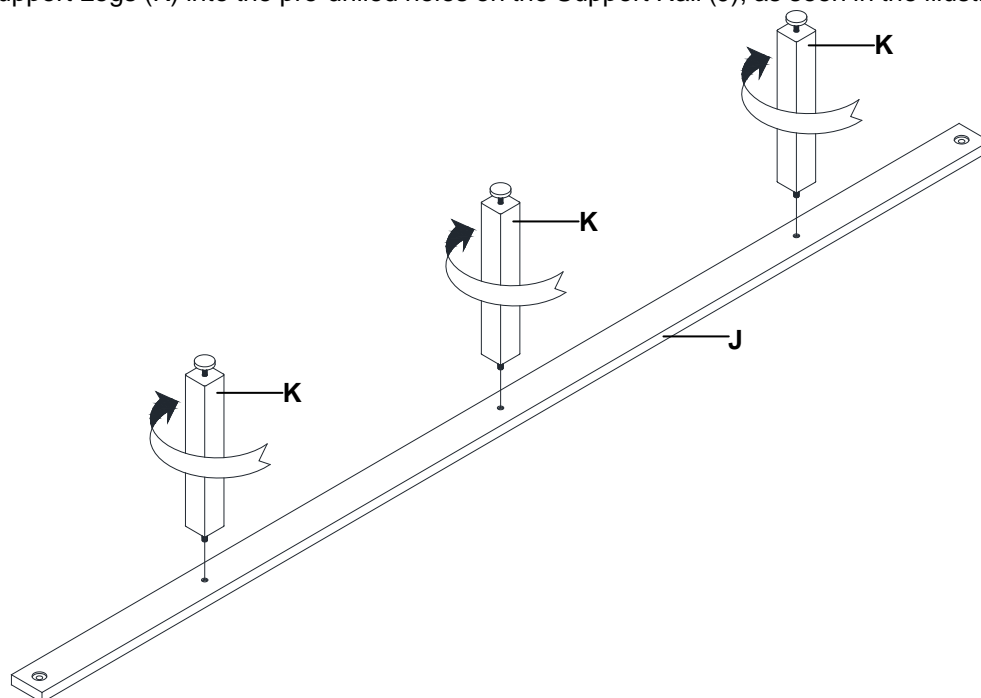
HIGHER SETTING



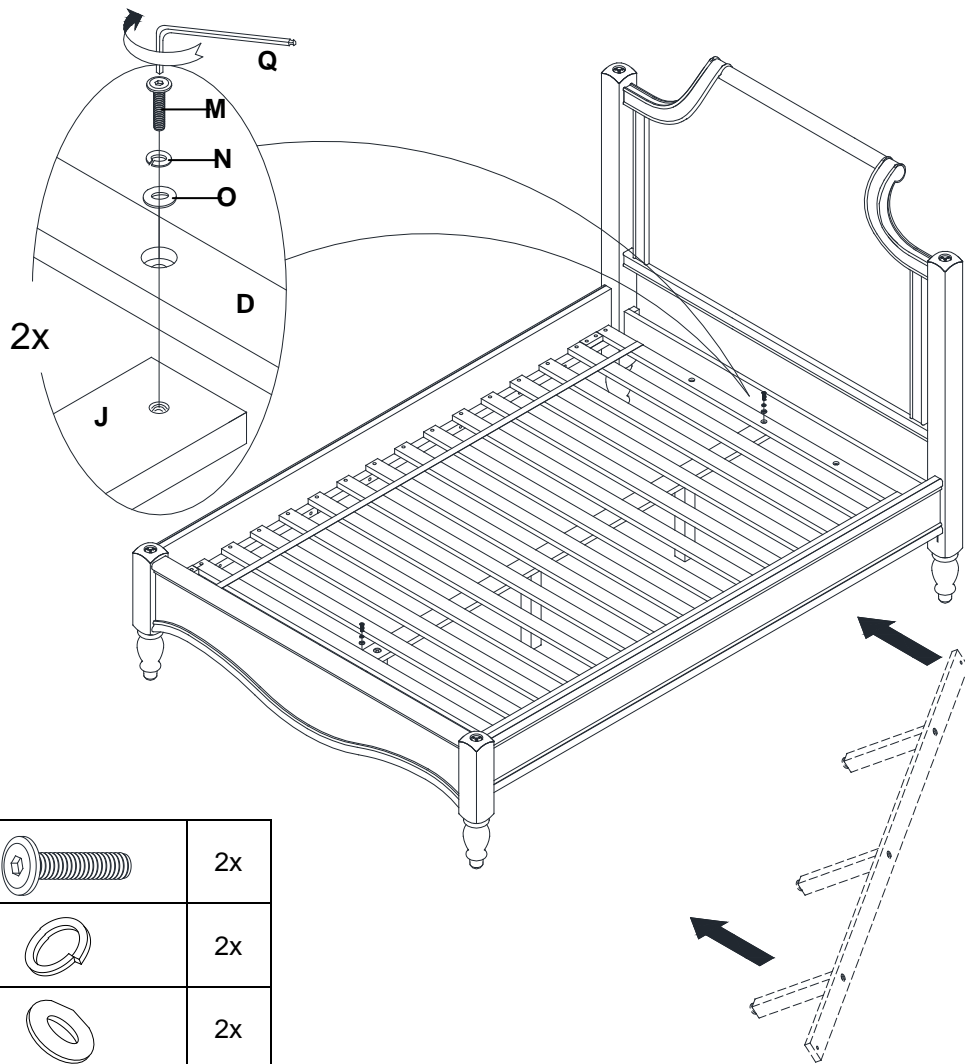
11. Place the Slats Roll (D) onto the opening, in-between the Side Rails (C), as seen below. Make sure the ends of the slats rest upon the small ledge inside of the Side rails (C).



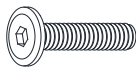


12. Thread the 3 Support Legs (K) into the pre-drilled holes on the Support Rail (J), as seen in the illustration below.

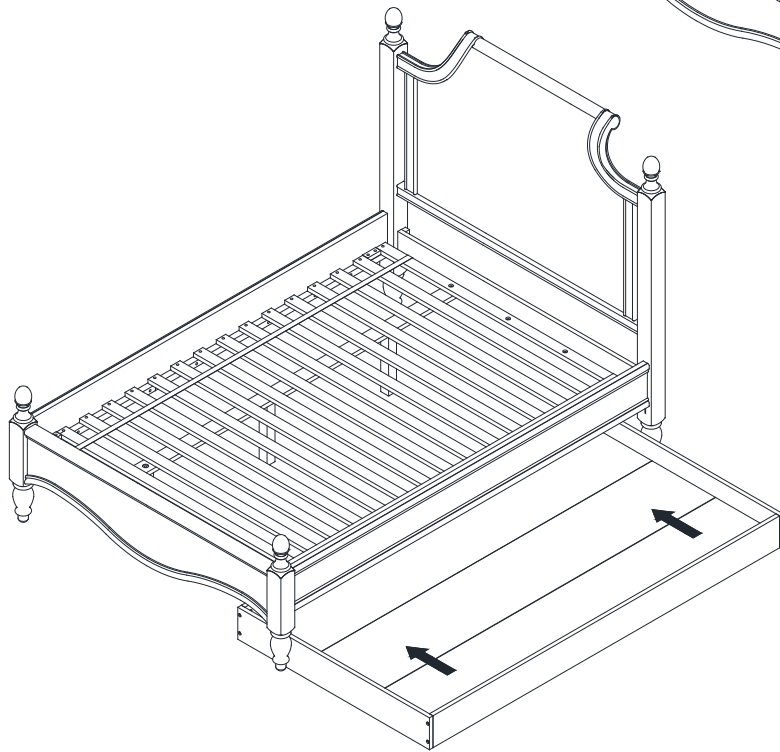
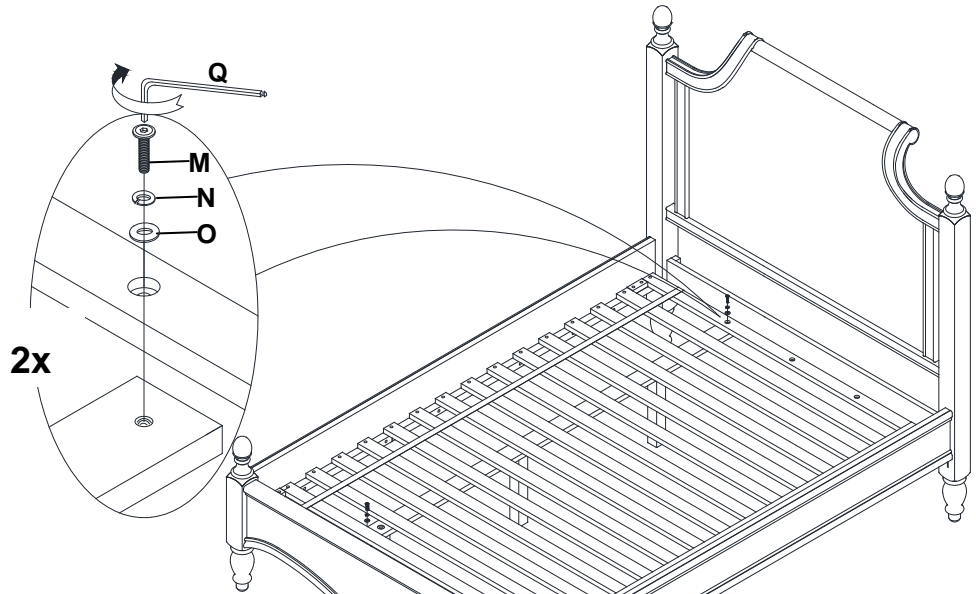


13. Attach this assembled Support Rail (J) with Support Legs (K) to the underside of Slat Roll (D), as seen in the illustration below. **NOTE:** There are 3 possible positions for Support Rail (J). The center positions are used when **not** using trundle. If using a trundle, please follow steps #13 - #15 to assemble the Support Rail (J) and Support Leg (K) to the pre-drilled holes on the opposite side of the bed to where you desire the trundle to be used. This provides enough room for the trundle to not hit the Support Leg (K). See the 2 illustrations below.
14. Connect the 1st slat to the Support Rail (J) and secure with 1 set of: Bolt (M), Lock Washer (N), and Flat Washer (O) through the pre-drilled hole of the 1st slat and into the metal inserts located on the Support Rail (J).
15. Tighten with Allen Key (Q).
16. Repeat at the other end, as seen below.




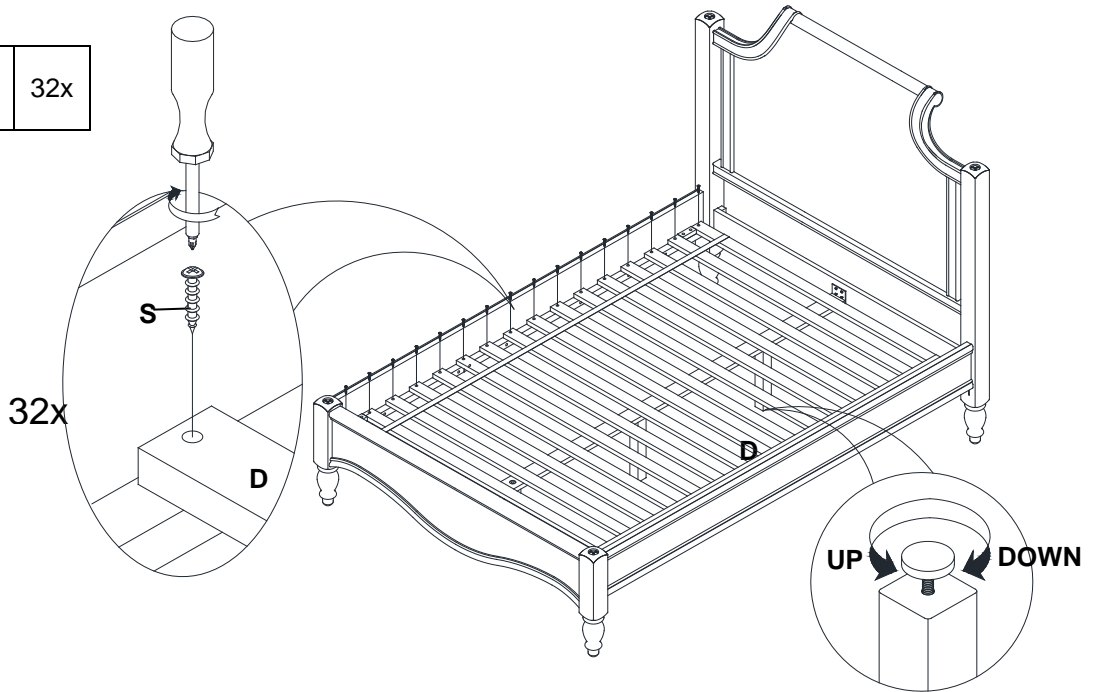
M		2x
N		2x
O		2x

M		2x
N		2x
O		2x

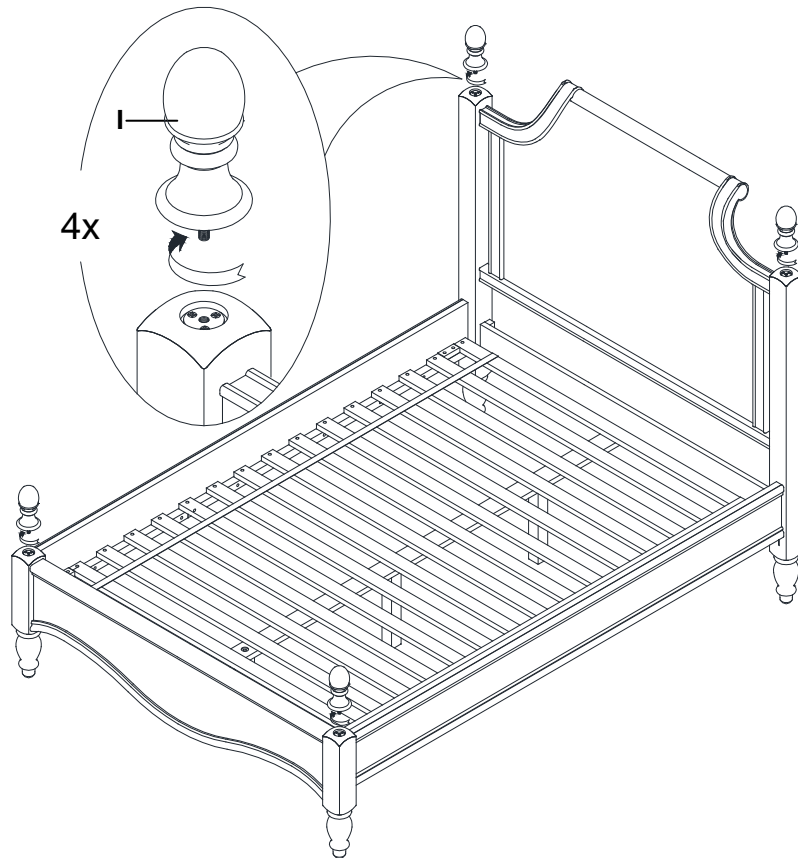


17. Secure each Slat to the Side Rail (C) using 32 Round Head Screws (S) through the hole at the end of each slat and into the mattress support on the Side Rails (C), as seen in the illustration below.
18. To keep the whole bed level, adjust the levelers underneath each Support Leg (K), as seen in the illustration below.
19. Periodically tighten all connections.

S		32x
---	---	-----



20. Attach the 4 Finials (I) on top of each leg of the Headboard (A) and Footboard (B), as seen below.



CARE INSTRUCTIONS:

- Dust often using a clean, soft, dry, and lint-free cloth.
- Blot spills immediately and wipe with a clean, damp cloth.
- We do not recommend the use of chemical cleansers, abrasives, or furniture polish on our lacquered finish.
- Hardware may loosen over time. Periodically check to make sure all connections are tight.
Re-tighten if necessary.