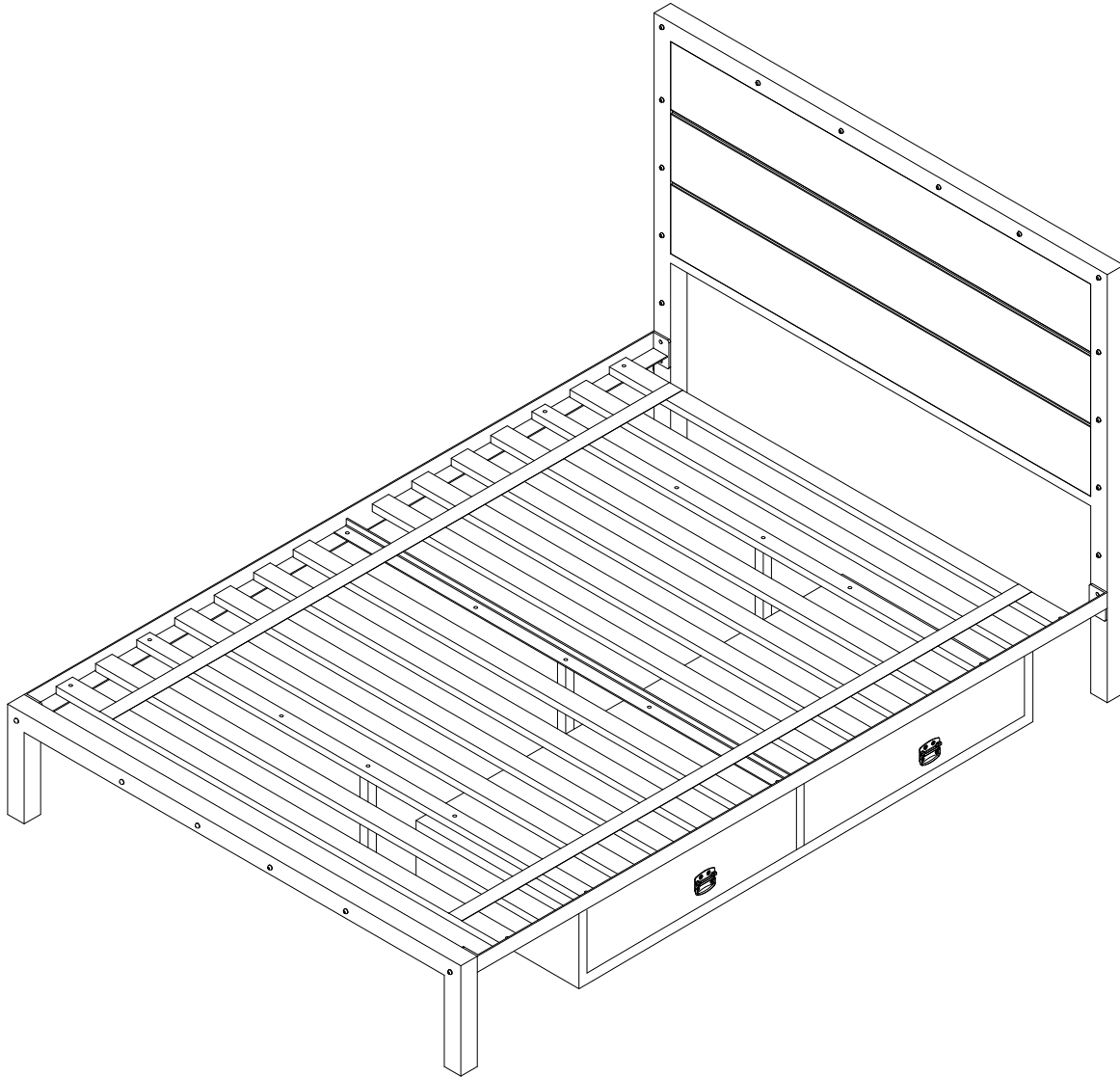


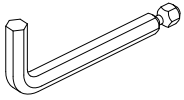
Metal Ryder Bed Drawer



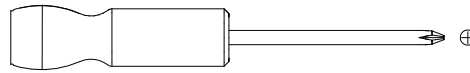
PRE-ASSEMBLY:

- Please read all instructions before assembling.
- Two or more people are recommended for assembly.
- Remove all parts and hardware from box(s) and lay out on a clear carpeted or scratch free work surface (the shipping box should provide an ideal work surface). Do not dispose of any contents until assembly is complete to avoid accidentally discarding small parts or hardware.
- Use the parts and hardware list(s) to identify, separate, and count all of the pieces included in the hardware pack prior to assembly.
- If using power tools to aid in assembly, please use caution. Power tools can damage hardware and/or components.

TOOLS REQUIRED:

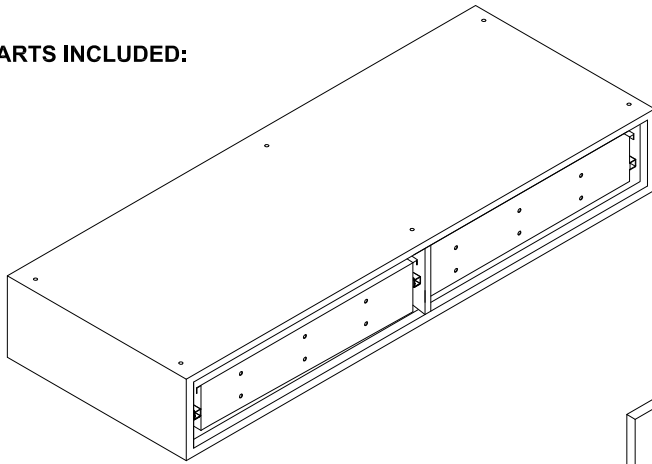


Allen Wrench 4.0

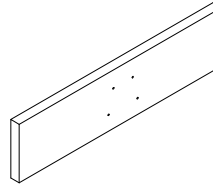


Phillips head Screwdriver (Not included)

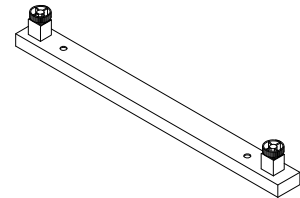
PARTS INCLUDED:



K - Storage Body - 1pc



M- Drawer Front - 2pcs



N- Suport Rail - 1pc

HARDWARE LIST:



O - Flat Washer Dia16mm - 18pcs



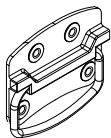
P - Long Bolt 1/4" x 1-1/2" - 4pcs



Q - Screw 15mm - 8pcs



R - Short Bolt Ø1/4"x7/8" - 2pcs



S- Drawer Handle - 2pcs



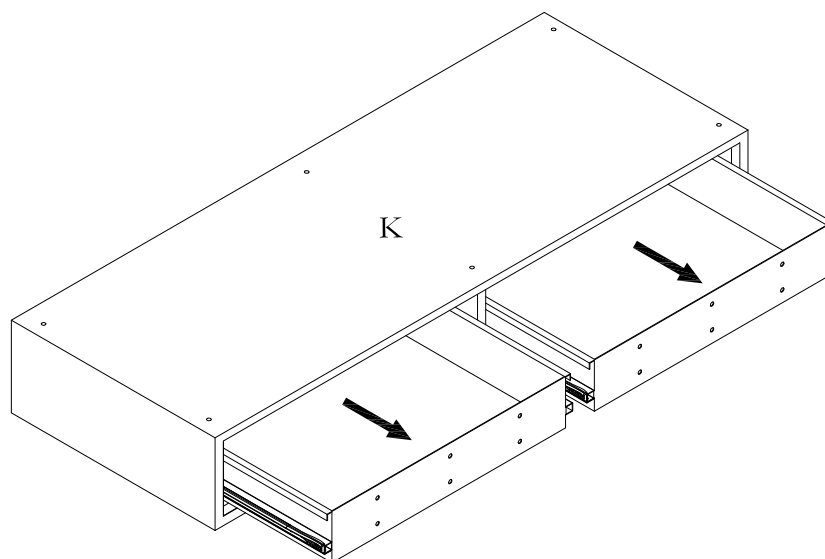
T - Short Bolt M6 x 22mm -12pcs



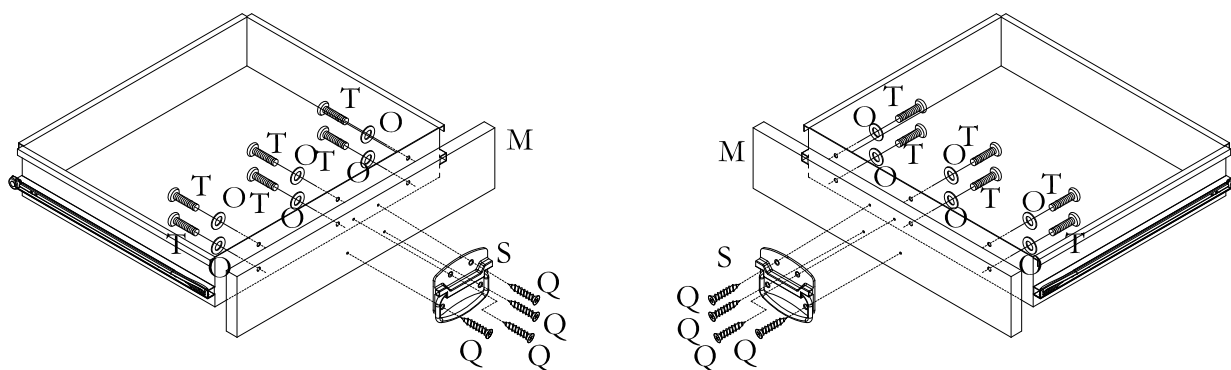
U - Screw 20mm - 2pcs

ASSEMBLY INSTRUCTIONS:

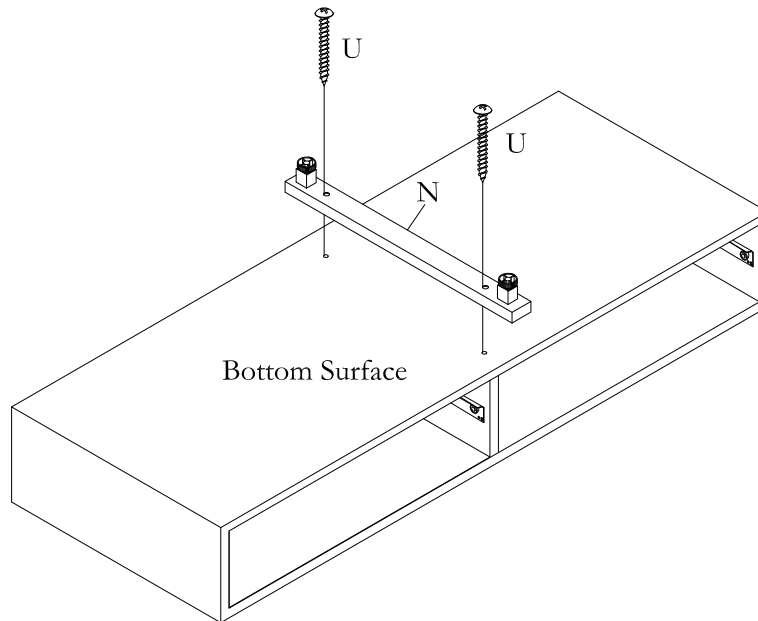
Step 1 - Taking out the Drawer Boxes: Take out the metal drawers boxes from storage body (K).



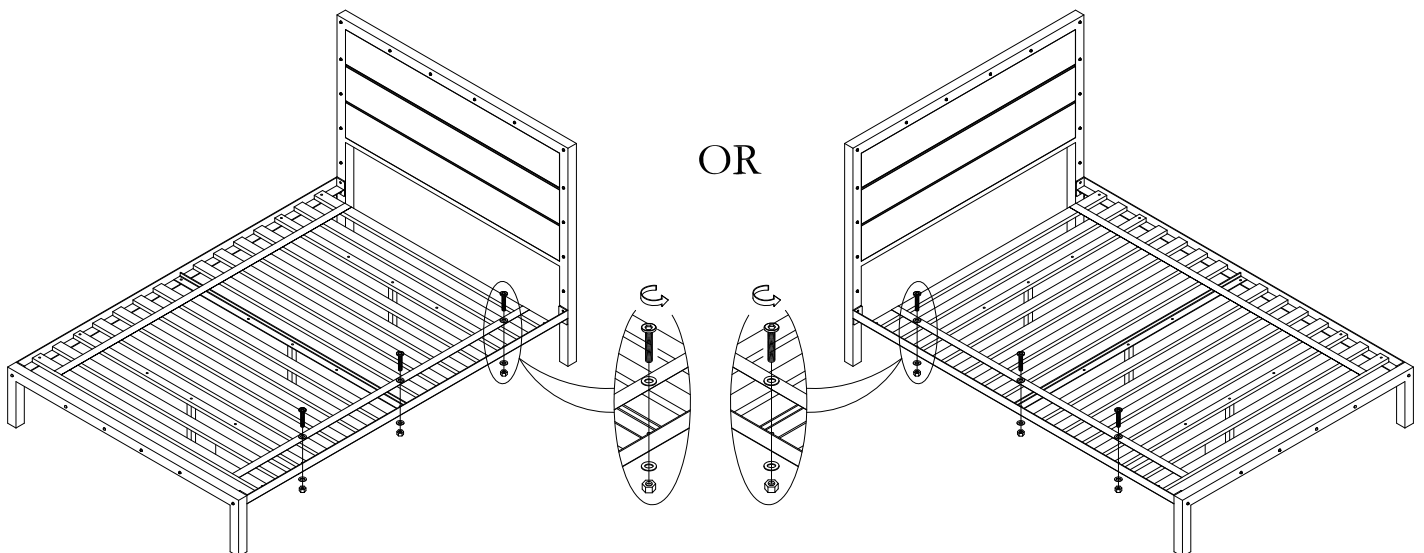
Step 2 - Attaching the Drawer Handle and Drawer Fronts to Drawer Boxes: Attach drawer handles (S) to drawer fronts (M) using screws (Q). Secure with Phillips screwdriver (not included). Attach drawer fronts (M) to metal drawer boxes using short bolts (T) and flat washers (O). Tighten by hand at first. When all bolts are in place, securely tighten the with Allen wrench, but do not over tighten the bolts.



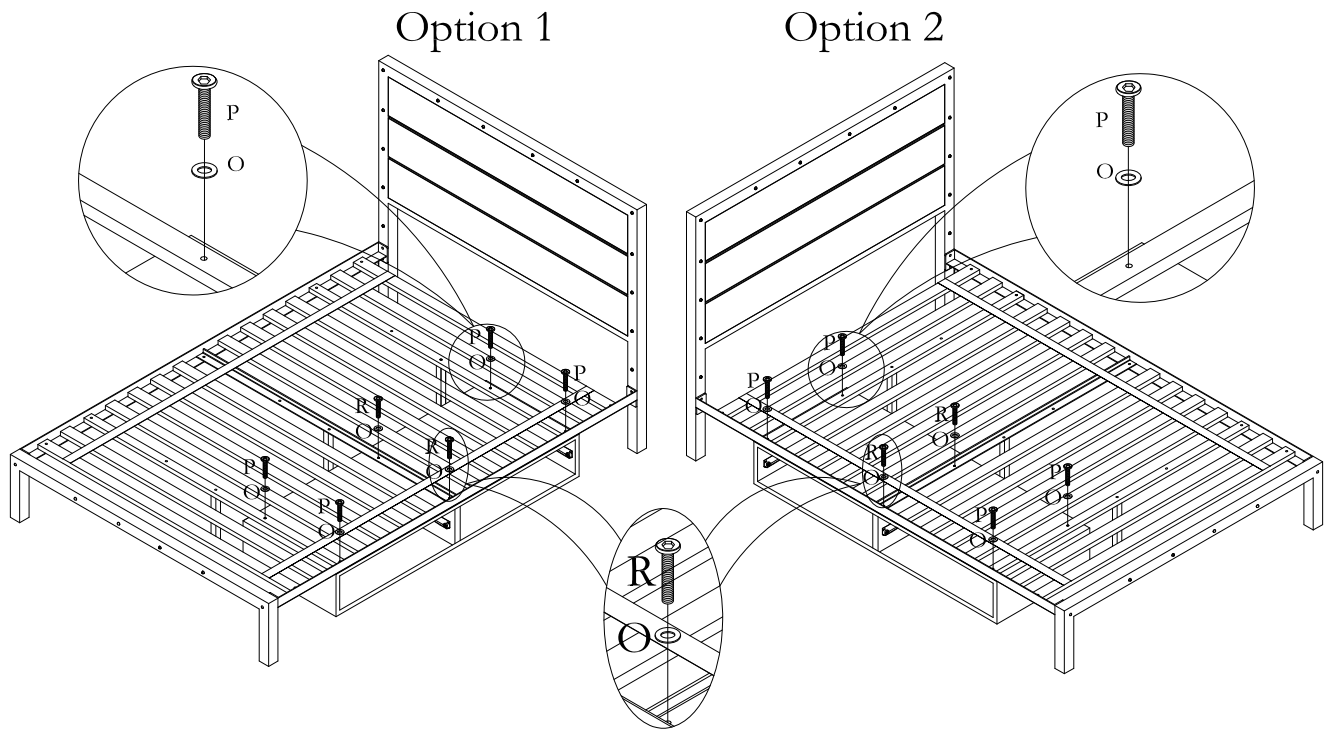
Step 3 - Attaching the Support Rail: Turn over the storage body and attach Support Rail (N) to the storage body with screws (U) using a Phillips head screwdriver (not included).



Step 4 - Preparing to install the Bed Drawer: Take off bolts from one end of metal slats with Allan Wrench and Open Wrench. There are two OPTIONS to assemble drawer box (K) . Please choose which side you want to assemble the drawer box before taking off bolts.



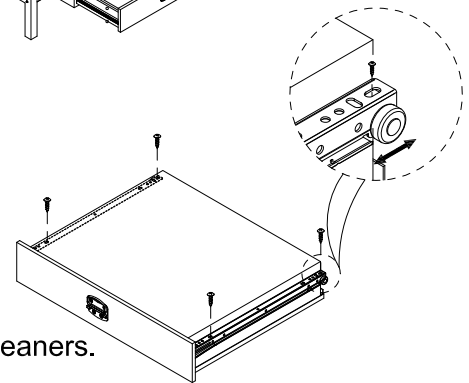
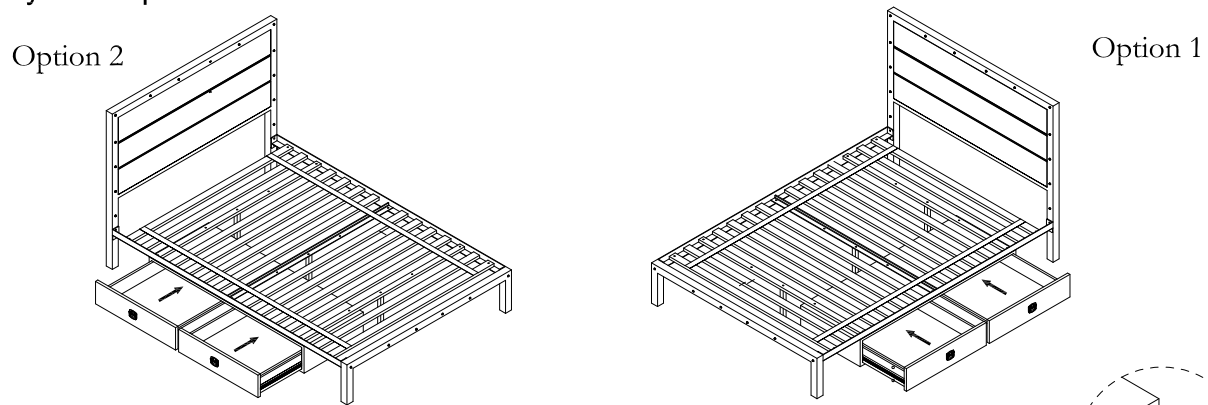
Step 5 - installing the Bed Drawer: Attach storage body (K) to metal bed slats using long bolts (P), short bolts (R) and flat washers (O), tighten by hand at first. When all bolts are in place, securely tighten the with Allen wrench, but do not over tighten the bolts. There are two options to assemble the storage body. You can choose the right option according to your room.



Step 6 - Re-Installing drawers and fitting Drawer Fronts: Put drawers back into the storage body. Please note that the wooden fronts are adjustable (left, right, upper and down). Loosen the bolts (T) to adjust wooden fronts to fit evenly around. Do not forget to tightly secure bolts after adjusting.

Drawer depth can also be adjusted to become flush with the metal frame, by loosening the 4 screws on the drawer slides as shown below. Do not forget to tightly secure screws after adjusting.

Assembly is complete.



CARE INSTRUCTIONS:

- Wipe with a soft, dry cloth.
- To protect the finish, avoid the use of all chemicals and household cleaners.