



## 31685 Meadow Iron Bed - Queen Size

### PRE-ASSEMBLY:

- Please read all instructions before assembling.
- Two or more people is recommended for assembly.
- Save all packing materials until assembly is complete to avoid accidentally discarding smaller parts or hardware.

### TOOLS REQUIRED:

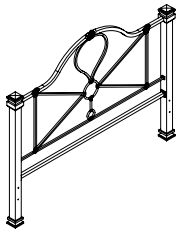


Allen Wrench

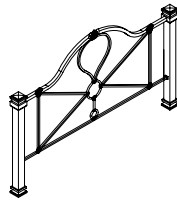


Open Wrench

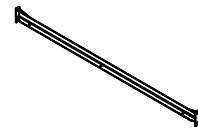
### PARTS INCLUDED:



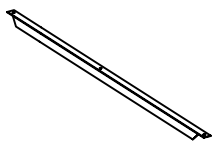
A - Metal Headboard - 1pc



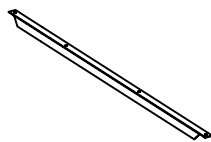
B - Metal Footboard - 1pc



C - Metal Side Rail - 2pcs



D - Side Metal Slat with one predrilled hole - 2pcs



E - Middle Metal Slat with two predrilled holes - 1pc



F - Metal Short Support Leg - 4pcs

### HARDWARE LIST:



a - Short Bolt  $\varnothing 1/4$ "x $3/4$ "L - 6pcs



b - Long Bolt  $\varnothing 1/4$ "x1"L - 12pcs



c - Spring Washer - 14pcs



d - Flat Washer - 24pcs



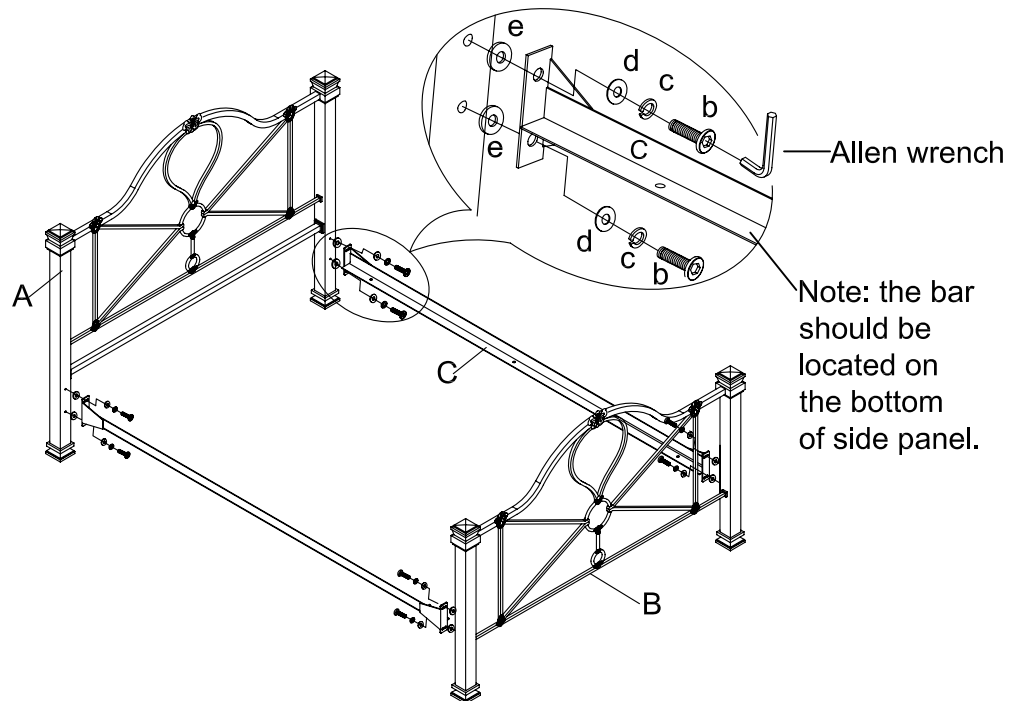
e - Plastic Flat Washer - 8pcs



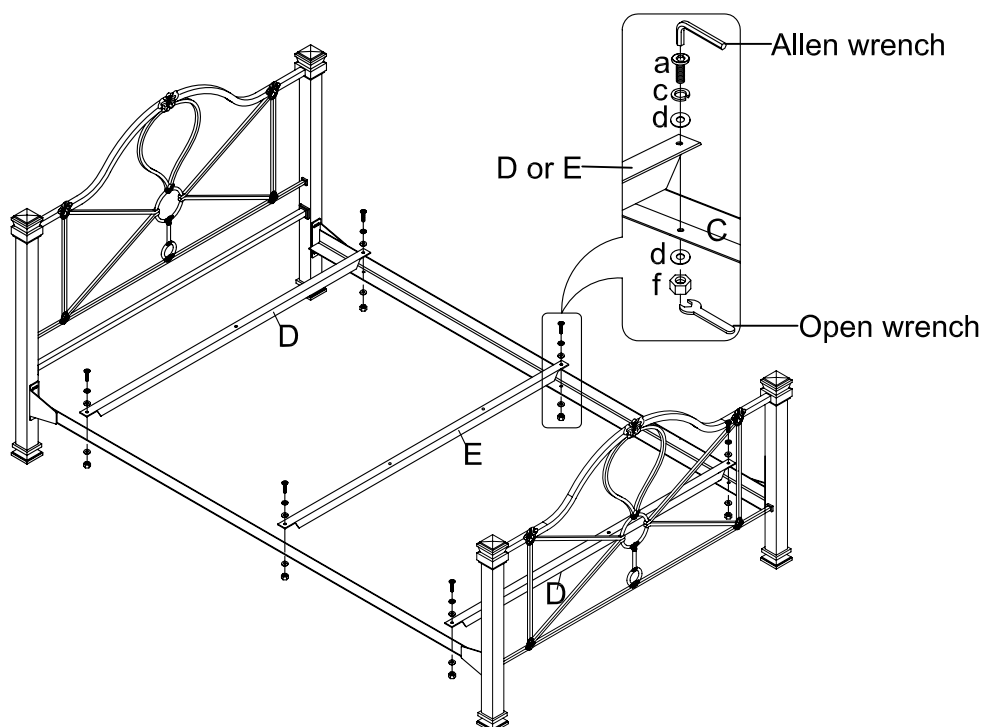
f - Nut  $\varnothing 1/4$ " - 6pcs

## ASSEMBLY INSTRUCTIONS:

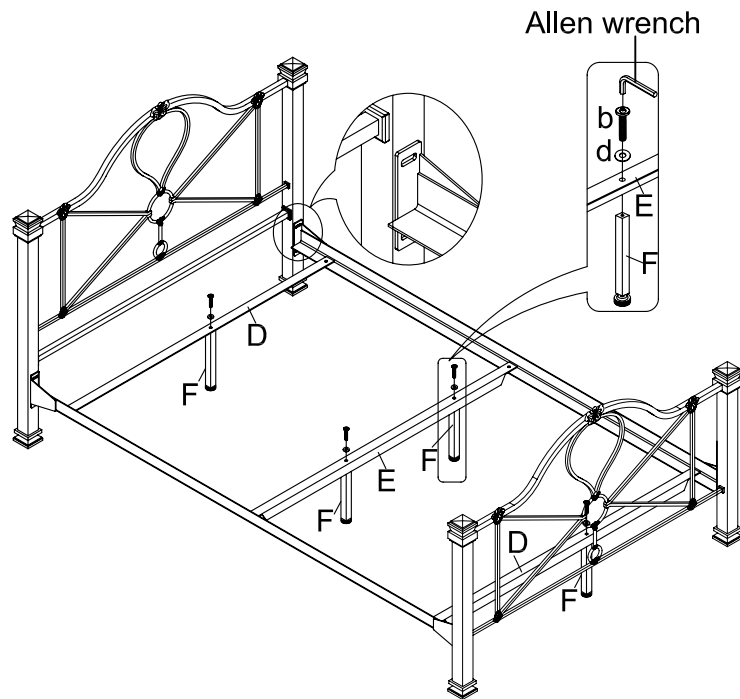
**Step 1 :** Attach metal side rail (C) to metal headboard (A) and metal footboard (B) using long bolt (b), spring washers (c), flat washer (d) and plastic flat washer (e), tighten by hand at first, securely tighten the bolts with Allen wrench, but do not over tighten the bolts. See below diagram.



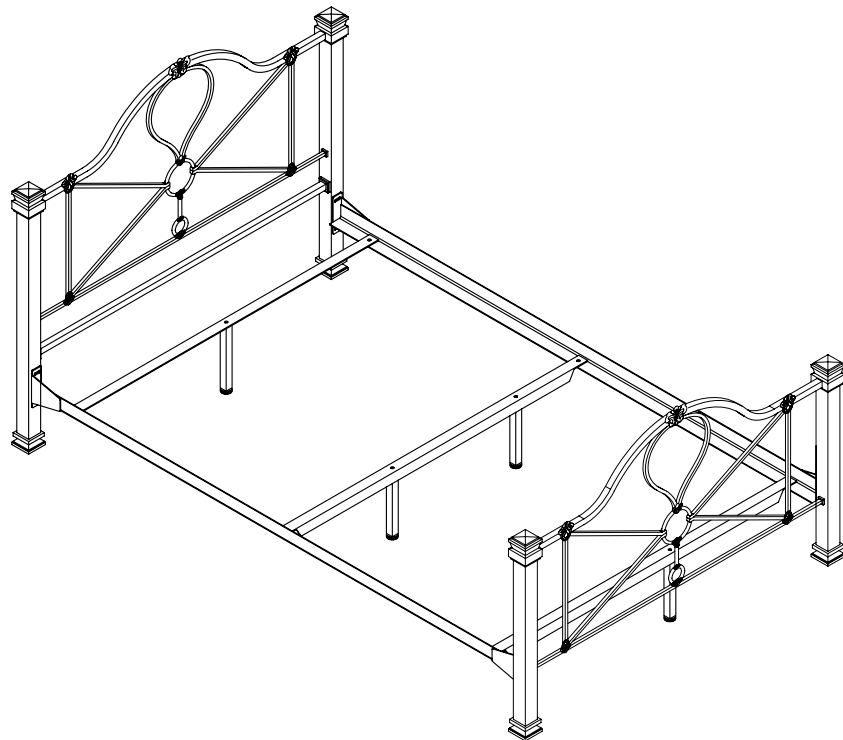
**Step 2 :** Attach the metal slat (D) and metal slat (E) to the metal side rail (C) using short bolt (a), spring washer (c), flat washers (d) and nut (f), tighten by hand at first, securely tighten all bolts and nuts with Allen wrench and open wrench as shown, but do not over tighten the bolts and nuts.



**Step 3 :** Attach metal support leg (F) to metal slats (D and E) using long bolt (b) and flat washer (d), tighten by hand at first, securely tighten all bolts with Allen wrench, but do not over tighten. Adjust the height of each support leg (D and E) by turning adjustable levelers on the bottom of support leg (D and E) clockwise to lower and counterclockwise to raise.



**Step 4 :** The assembly is now complete.



**CARE INSTRUCTIONS:**

- Wipe with a soft, dry cloth.
- To protect the finish, avoid the use of all chemicals and household cleaners.