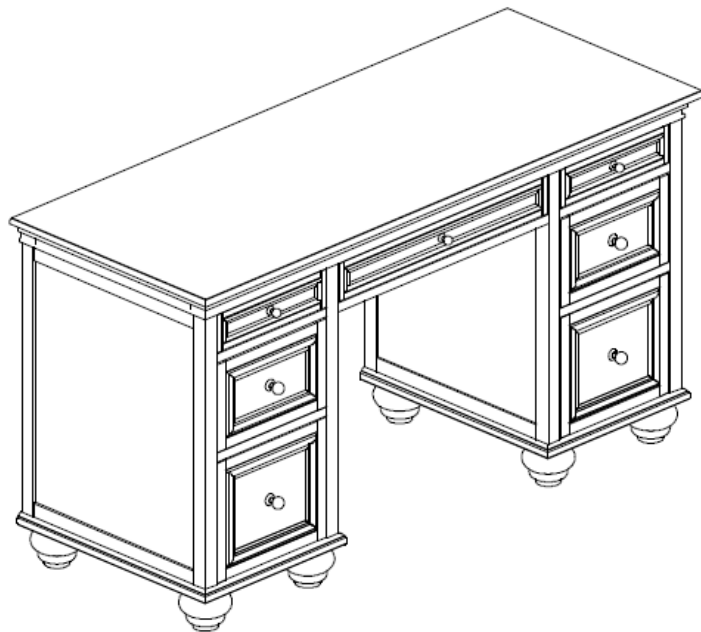




## CHELSEA VANITY DESK

### ASSEMBLY INSTRUCTIONS



**Important Safety Instructions:**

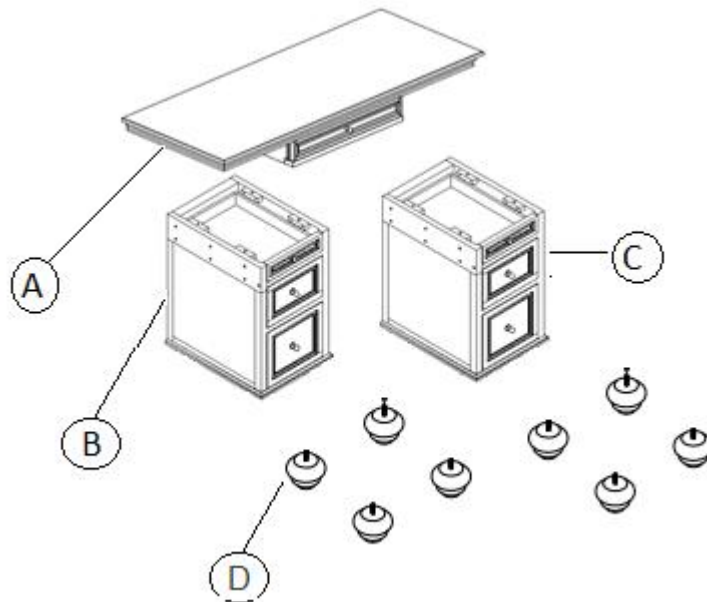
- Please read all instructions carefully before assembling this Vanity Desk.
- For your safety, assembly by two or more adults is strongly recommended.
- Keep these instructions for future use.
- Use only vendor-supplied hardware to assemble this item. Using unauthorized hardware could jeopardize the structural integrity of the item.

**Pre-assembly:**





- Remove all parts and hardware from the box. Place them on a carpeted or scratch-free work surface, as this will avoid damaging parts during assembly. The shipping box provides an ideal work surface.
- To avoid accidentally discarding small parts or hardware, do not dispose of any packaging or contents of the shipping carton until assembly is complete.
- Use the parts and hardware lists below to identify and separate each of the pieces included.
- The illustrations provided allow for easier assembly when used in conjunction with the assembly instructions.
- The use of power tools to aid in assembly is not recommended. Power tools can damage the hardware and split the wood.

**Parts Included:**

- (A) Desk Top (1x)
- (B) Left Pedestal (1x)
- (C) Right Pedestal (1x)
- (D) Legs (8x)



**Hardware Included:**

(E) Allen Bolt 1/4" x 1" – 20x 	(F) Spring Washer 1/4" x 1.2mm x 11 – 20x 	(G) Flat Washer 1/4" x 1mm x 13 – 20x 	(H) Allen Key M4 x 110 x 30 – 1x 
--	---	--	--

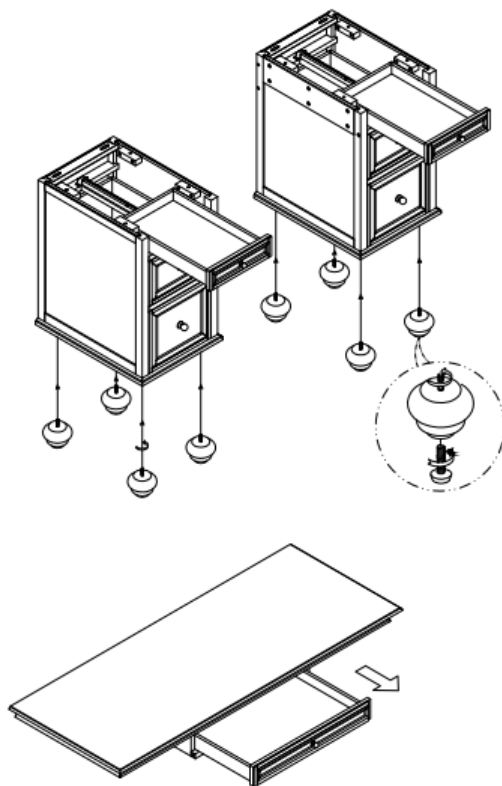
**Tools Required (not included):**



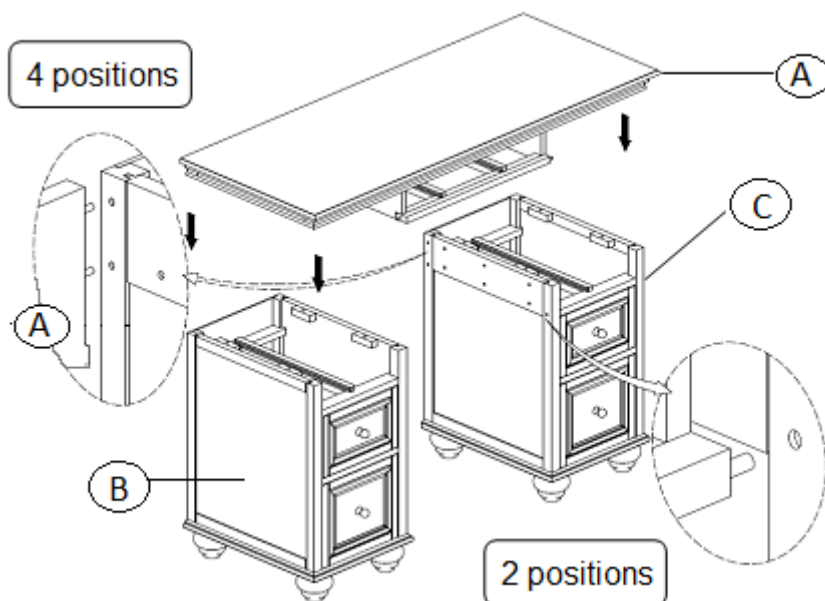
Phillips Head Screwdriver

### Assembly Instruction Steps:

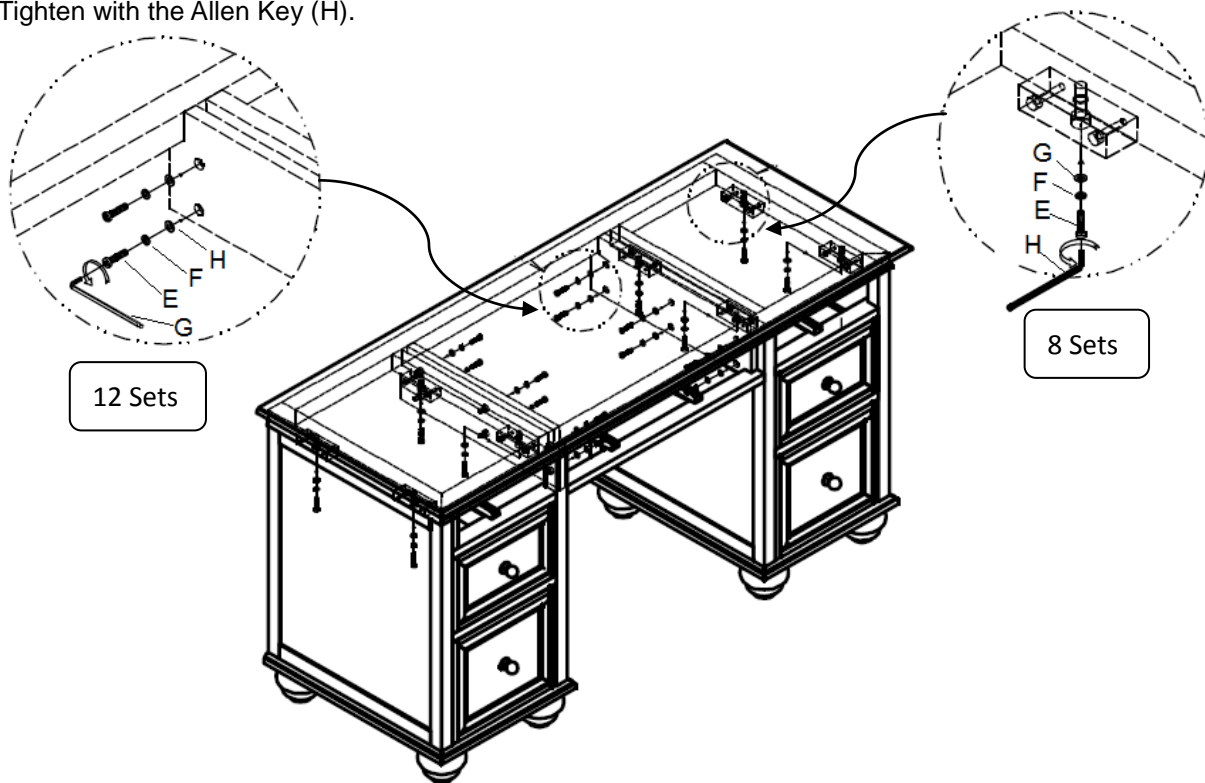
1. Remove the top drawer from the Left & Right Pedestals (B&C) and the center drawer from Desk Top (A).
2. Insert the exposed screw on the (8) Legs (D), into the pre-drilled holes on the bottom of each corner of the Left & Right Pedestal (B&C), as seen in the illustration below.



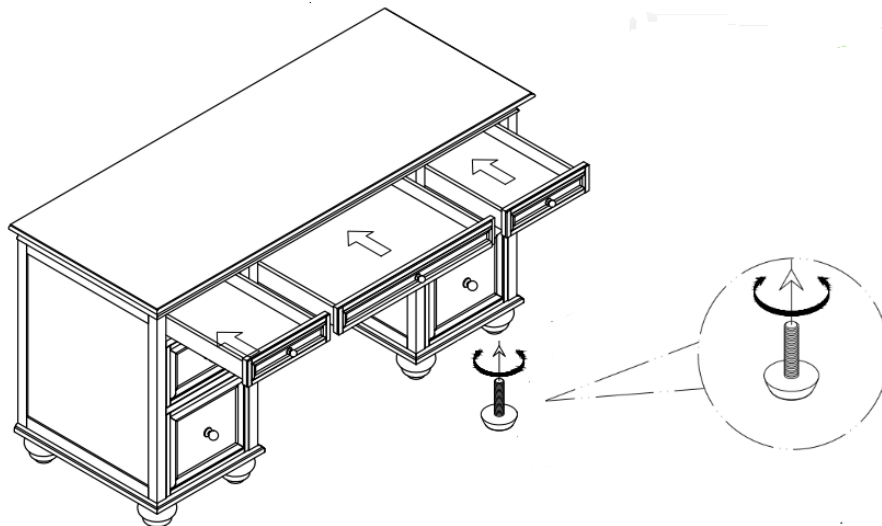
3. Place Desk Top (A) on top of the Left & Right Pedestals (B & C) by aligning the 6 pre-fixed wooden dowels on the center drawer of Desk Top (A), to the pre-drilled holes on the side panel of the Left & Right pedestals (B&C), as seen in the illustration below.



4. Place 12 sets of Flat Washers (G), Spring Washers (F), and Allen Bolts (E) through the holes of the center drawer and into the holes on the side panel of the Left & Right Pedestal (B & C), as seen in the illustration below.
5. Tighten with the Allen Key (H).
6. Place 8 sets of Flat Washers (G), Spring Washers (F), and Allen Bolts (E) through the holes on the top leg of Left & Right Pedestal (B&C), to the holes underneath the Desk Top (A), as seen in the illustration below.
7. Tighten with the Allen Key (H).



8. Put the 3 drawers back into the desk, as seen in the illustration below.
9. Adjust the levelers located on the bottom of each Leg (B) (either in or out) to make the desk sit level.



**Care Instructions:**

- Dust often using a clean, soft, dry, and lint-free cloth.
- Blot spills immediately and wipe with a clean, damp cloth.
- We do not recommend the use of chemical cleansers, abrasives, or furniture polish on our lacquered finish.
- Hardware may loosen over time. Periodically check to make sure all connections are tight.  
Re-tighten if necessary.