

SUTTON DISPLAY HEADBOARD

Important Safety Instructions:

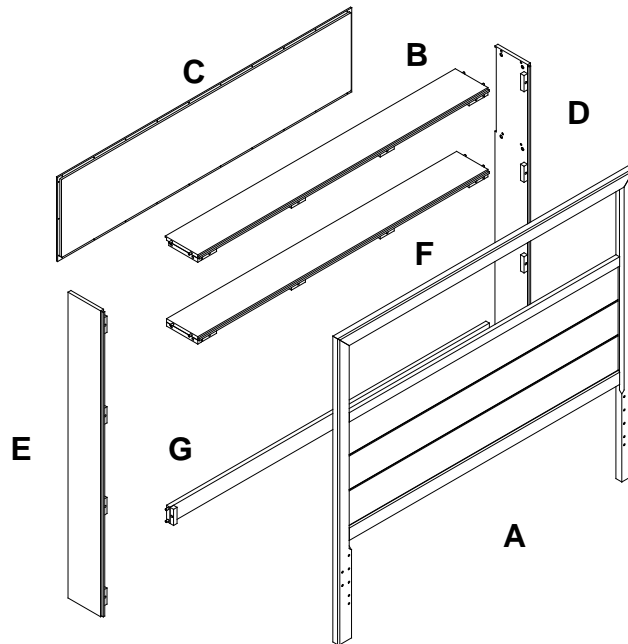
- Please read all instructions carefully before assembling.
- For your safety, assembly by two or more adults is strongly recommended.
- Keep instructions for future use.
- Use only vendor supplied hardware to assemble. Using unauthorized hardware could jeopardize the structural integrity of the item.

Pre-assembly:



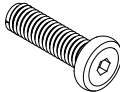


- Remove all parts and hardware from the box and lay out on a clear carpeted or scratch-free work surface, as this will avoid damaging parts during assembly. The shipping box provides an ideal work surface.
- Do not dispose of any packaging or contents of the shipping carton until assembly is completed to avoid accidentally discarding small parts or hardware.
- Use the parts and hardware lists below to identify and separate each of the pieces included.
- The illustrations provided allow for easier assembly when used in conjunction with the assembly instructions.
- The use of power tools to aid in assembly is not recommended. Power tools can damage hardware and split wood.

Parts Included:

- (A) Front frame 1x
- (B) Top panel 1x
- (C) Back panel 1x
- (D) Right side panel 1x
- (E) Left side panel 1x
- (F) Shelf 1x
- (G) Stretcher 1x

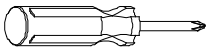


Hardware Included:



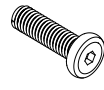
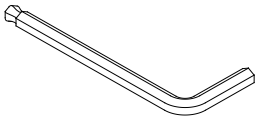
(M)-Small flat washer  Ø12 mm 26x	(N) - Small spring washer  26x	(O) - Short Allen bolt  M6x25 mm 26x	(P) - Allen key  1x
(R) - Small wood screw  3.5x20 mm 20x			

Tools Required (Not Included):

Phillip Head Screwdriver

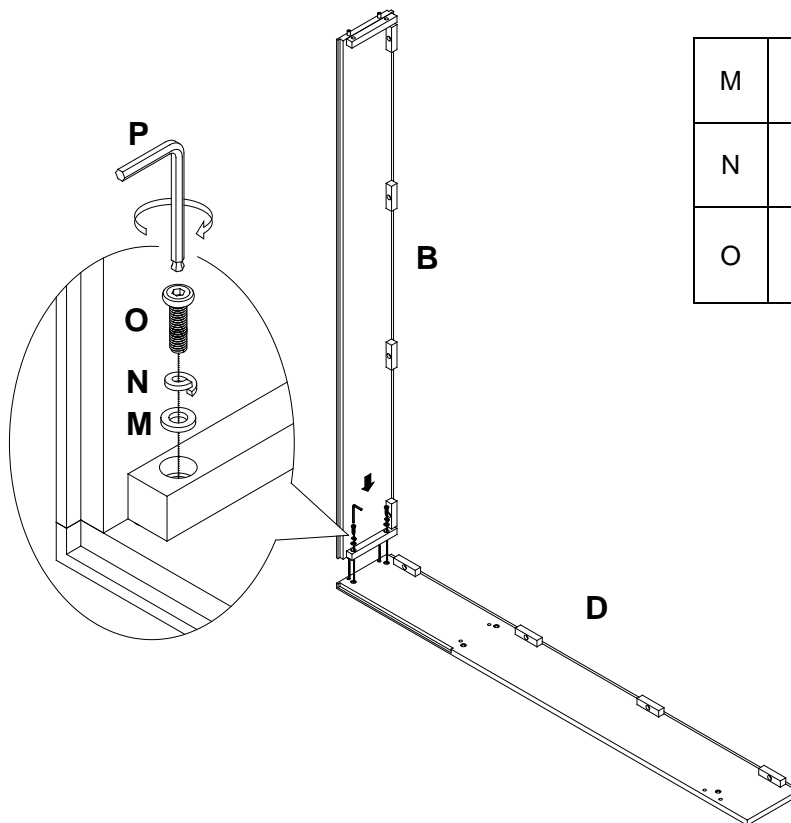




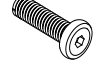
Hardware for assembly with simple base or storage base or metal bed frame

(Q)- Flat washer  Ø16 mm 6x	(N) - Small spring washer  6x	(O) - Short Allen bolt  M6x25 mm 6x	(P) - Allen key  1x
---	--	--	--

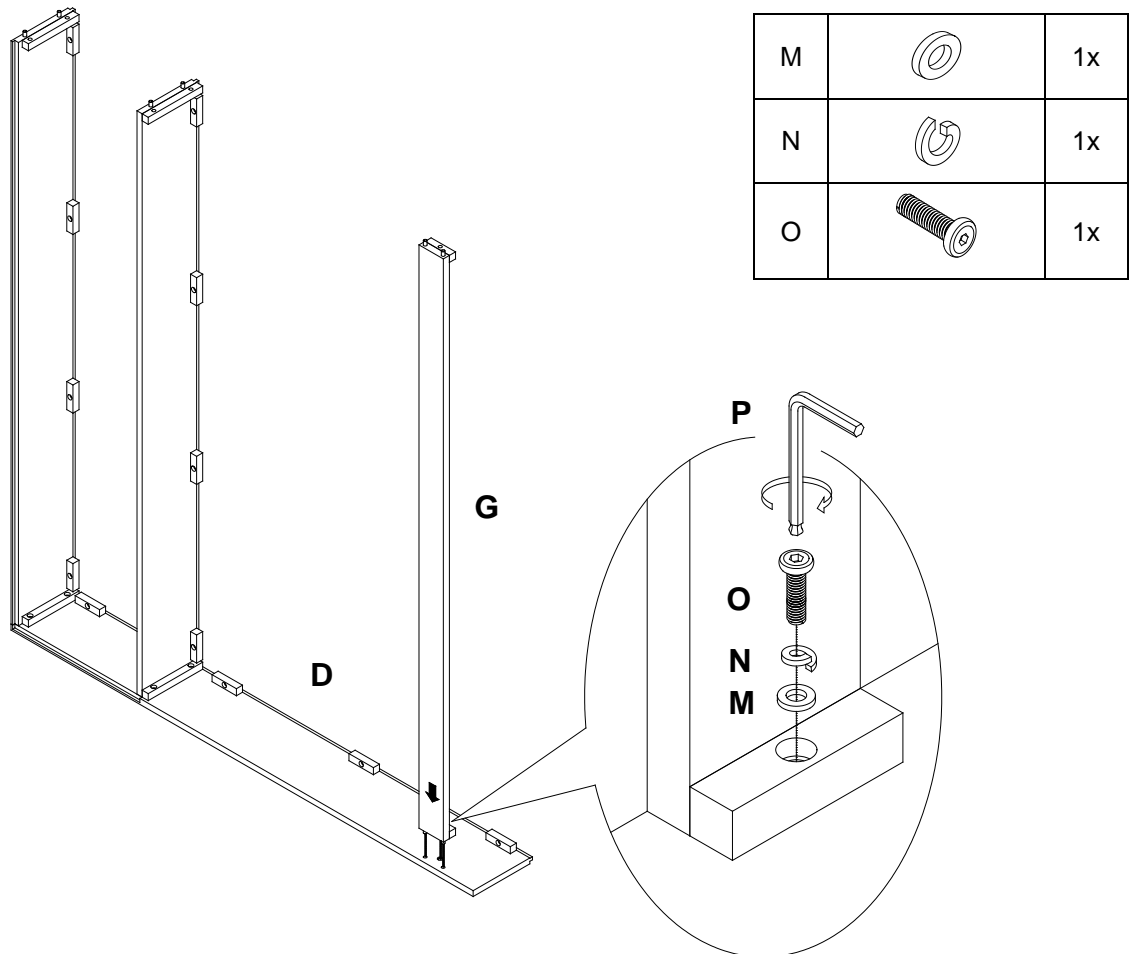
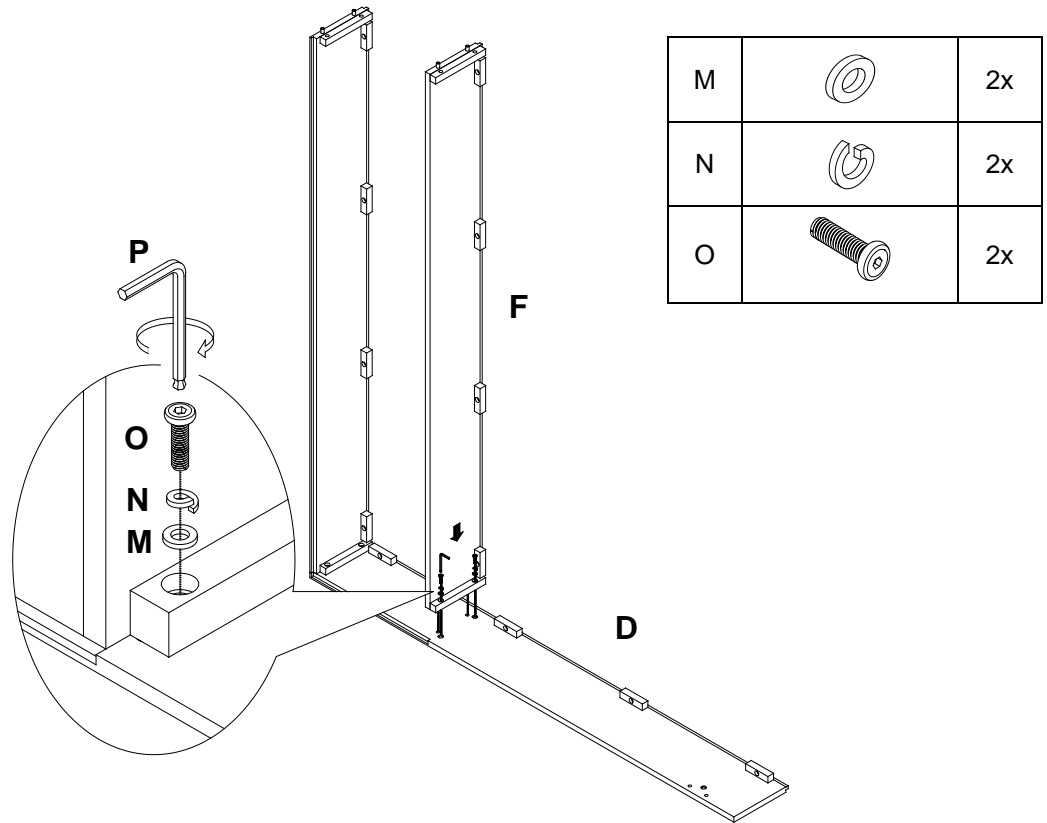
Assembly Instruction Steps:

1. Attach the top panel (B) to the **right** side panel (D) by aligning the exposed wooden dowel on the top panel with pre-drilled holes on the left side panel.
2. Secure with flat washer (M), spring washer (N), short Allen bolt (O) using Allen key (P) as shown.



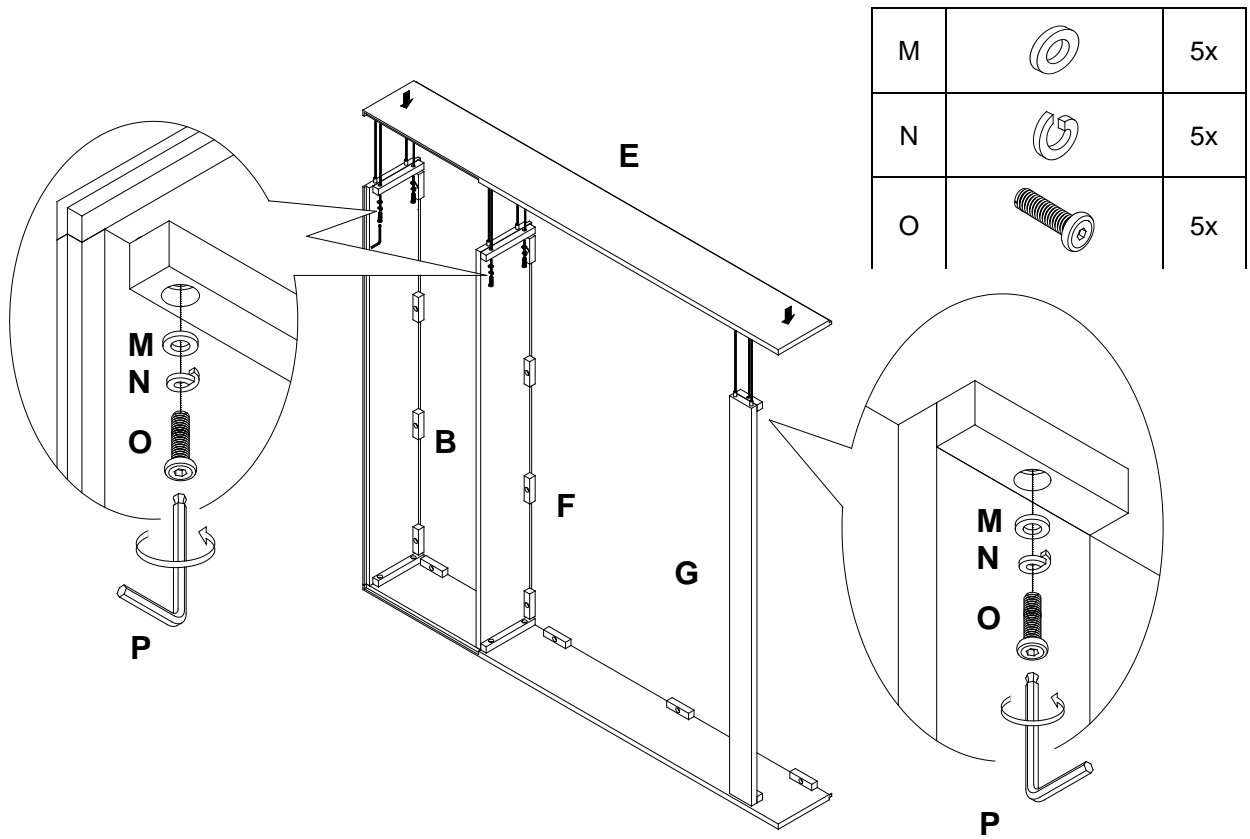
M		2x
N		2x
O		2x

3. Repeat above steps to assembly the shelf (F) and the stretcher (G) to the **right** side panel (D).

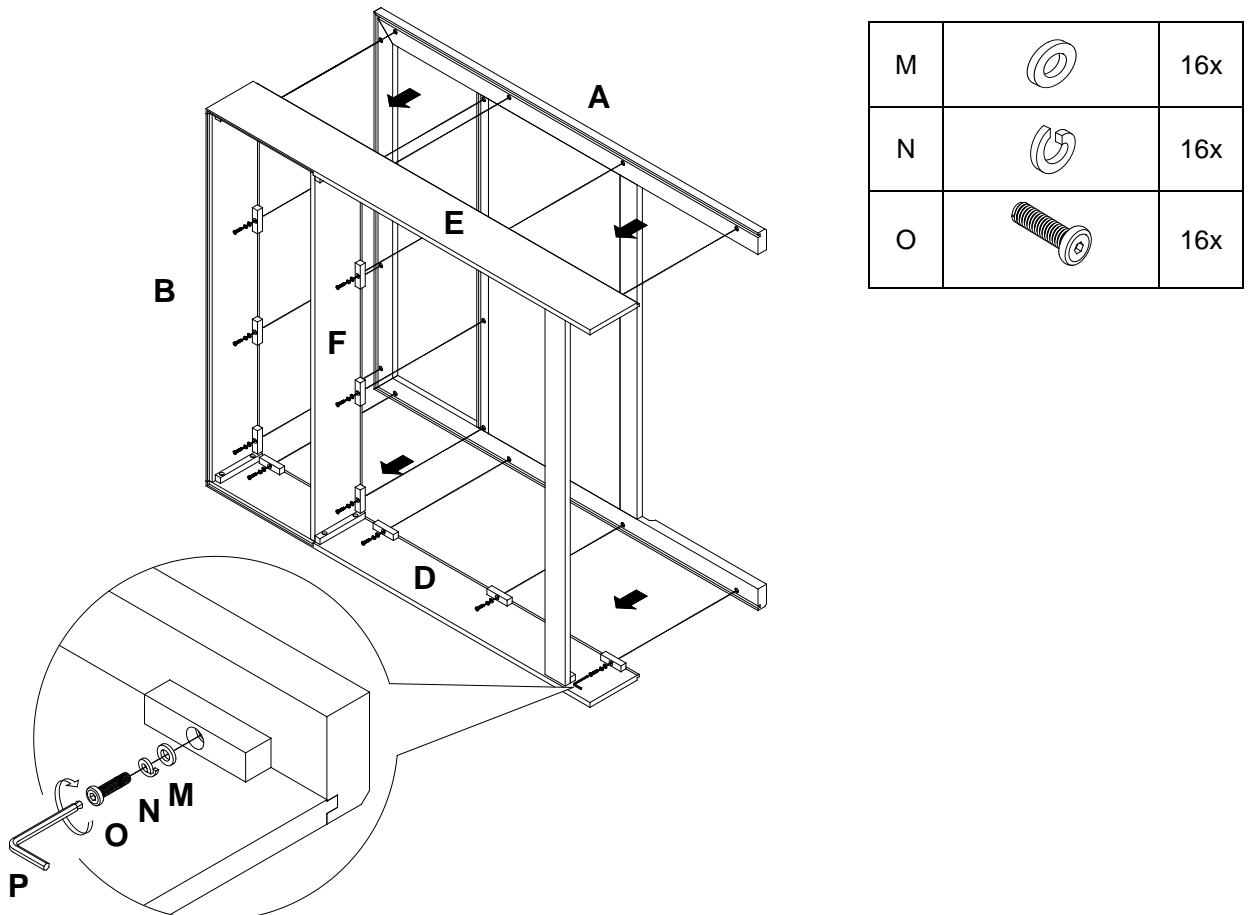


4. Attach the **left** side panel (E) to the top panel, shelf and stretcher (B, F&G) by aligning the pre-drilled hole on the side panel with exposed wooden dowels on the top panel, shelf and stretcher.

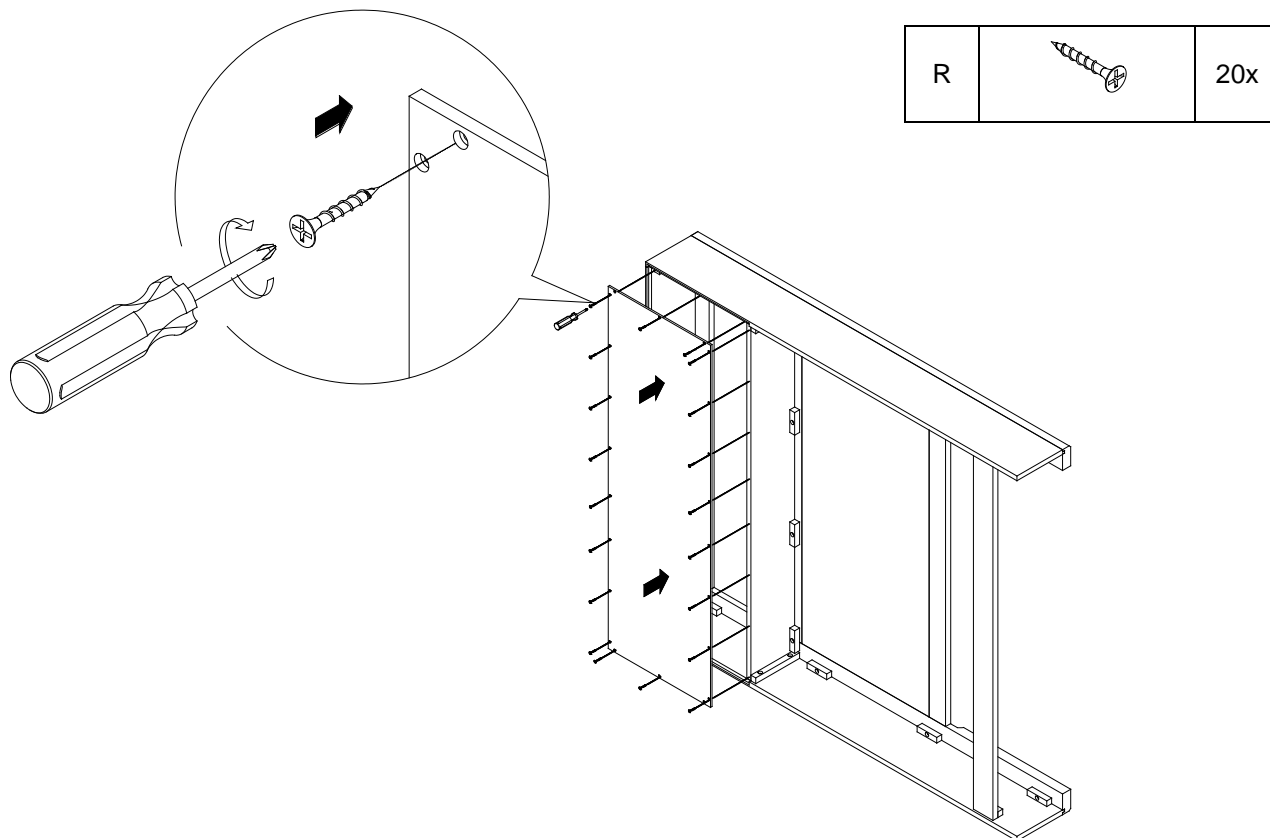
5. Secure the left side panel with flat washer (M), spring washer (N), Allen bolt (O) using Allen key (P) as shown.



6. Attach the front frame (A) to the wood cleat on the top panel (B), side panels (D,E) and shelf (F), secure with flat washer (M), spring washer (N), short Allen bolt (O) using Allen key (P).



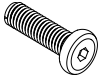


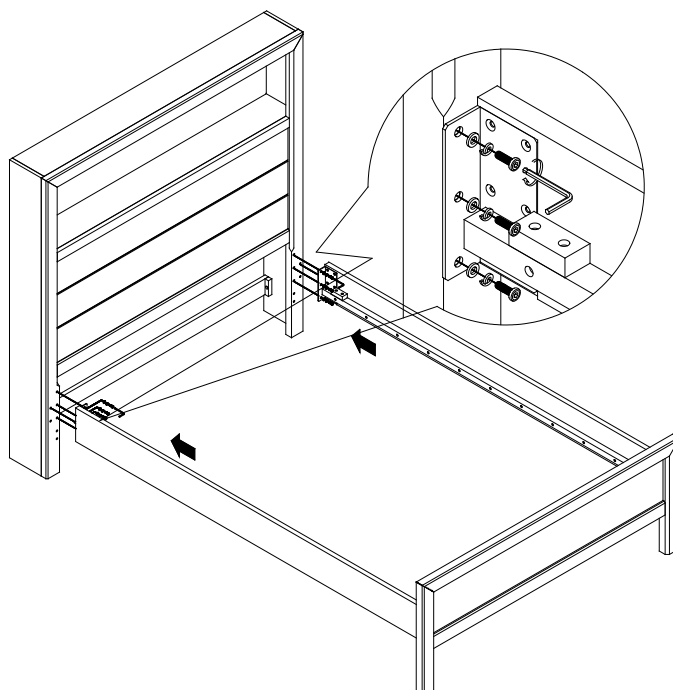
- Attach the back panel (C) onto the cut groove on top and side panels (B, D&E)
- Secure with small wood screws (R) using a Philips Head Screwdriver, as shown.



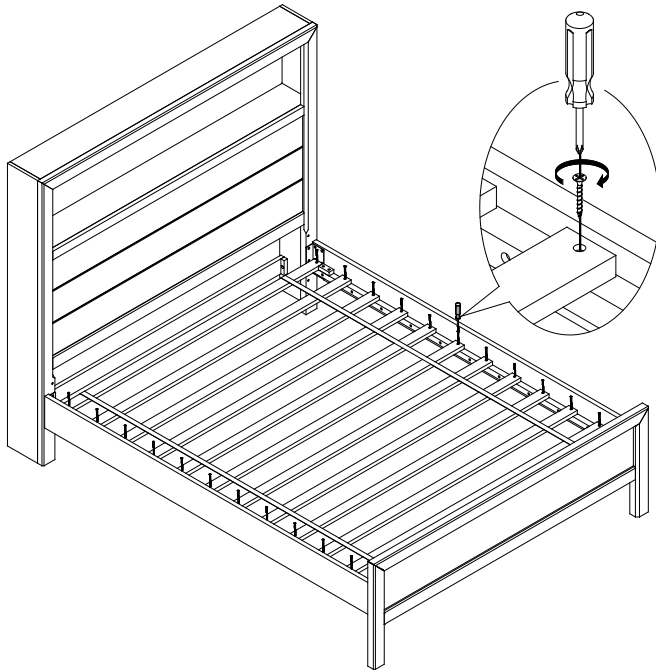
ASSEMBLY WITH SIMPLE BASE (Sold separately)

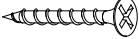
- Attach the headboard to two side rails of simple base by aligning the pre-drilled hole on the headboard post with exposed dowel on the side rails.
- Secure the headboard with flat washer (Q), small spring washer (N) and short Allen bolt (O) using Allen key.

Q		6x
N		6x
O		6x





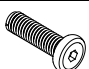
3. Roll out the slat roll of simple base on two side rails and then secure with wood screws (get from simple base box)

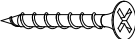


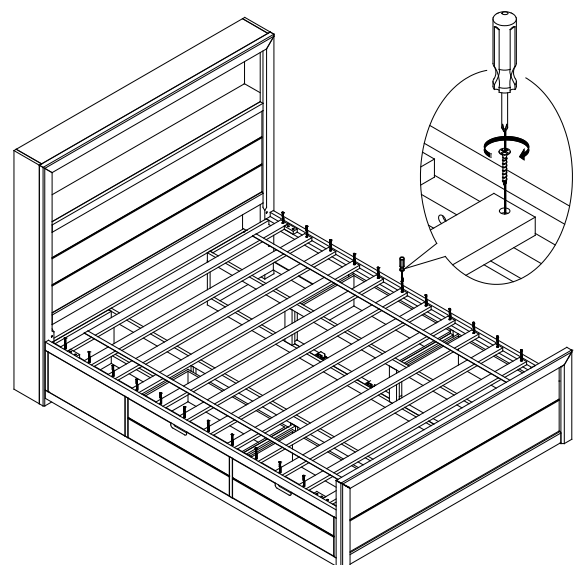
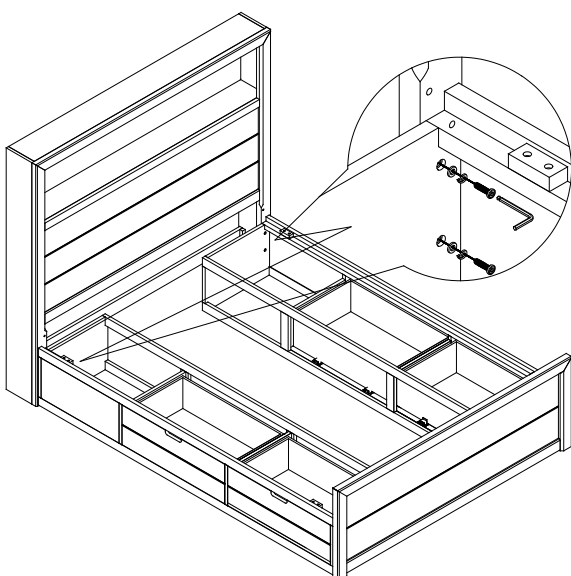
	24x
---	-----

ASSEMBLY WITH STORAGE BASE (Sold separately)

Same as assembly with simple base. Keep the extra bolt and washers for later use

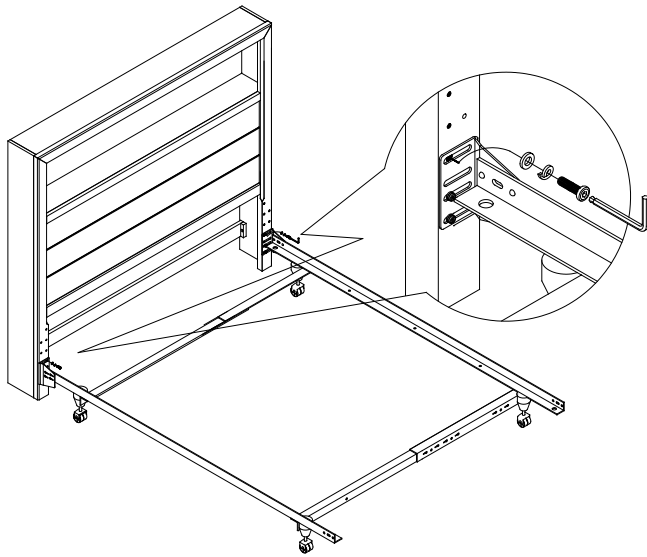
	4x
	4x
	4x




	24x
---	-----

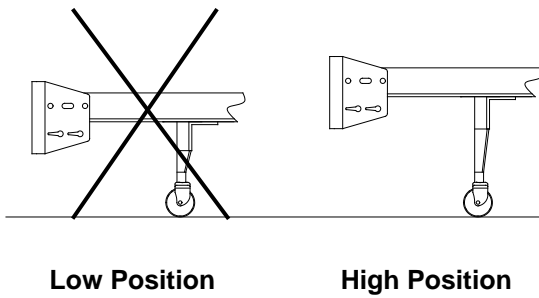


ASSEMBLY WITH METAL BOX FRAME (Sold separately)

Note: Pre assembled the box frame first. Make sure the face plate of the box frame is set at high position.



Q		6x
N		6x
O		6x



Assembly is completed.

Care Instructions:

- Dust often using a clean, soft, dry and lint-free cloth.
- Blot spills immediately and wipe with a clean, damp, cloth.
- We do not recommend the use of chemical cleansers, abrasives or furniture polish on our lacquered finish.
- Hardware may loosen over time. Periodically check to make sure all connections are tight. Re-tighten if necessary.

Thank you for your purchase
Stores | catalog