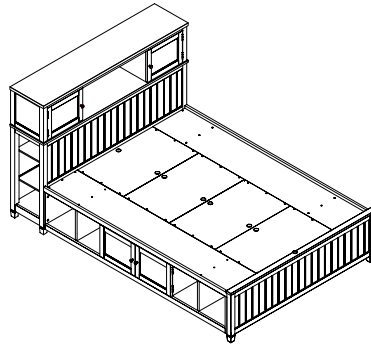




Beadboard Bed

Pre-assembly:

- Please read all instructions before beginning assembly.
- Two-adult assembly is recommended.
- Save all packing materials until assembly is complete to avoid accidentally discarding smaller parts or hardware.
- An extra wooden knob is included for your convenience.

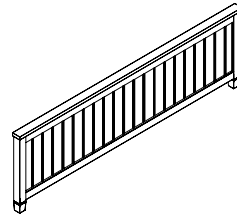
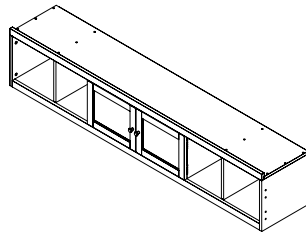
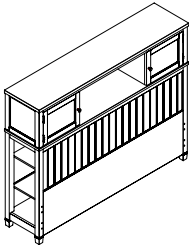


Part Included:

A – Headboard – 1pc

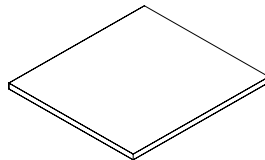
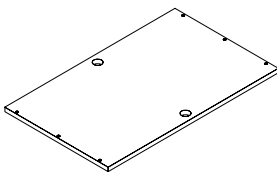
B – Siderail storages (L&R) – 2 pcs

C – Footboard – 1 pc



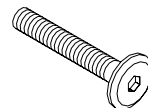
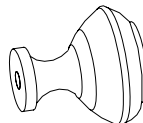
D – Center platforms – 4pcs

E – Adjustable shelves – 4pcs

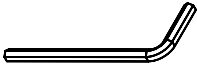


Hardware Included:

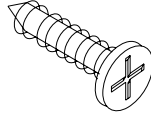
F - Wooden knob bolts (5/32" x 25mm)–6pcs **G** - Wooden knobs-6pcs **H** - Hex bolts(5/16" x 1-1/4")-8pcs



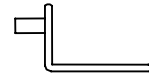
I – Allen key
(4mm x 74 x 29) – 1pc



J – Phillips head screws
(8 x 30mm) – 24 pcs



K – Shelf pegs
(5 x 13 x 16 x 1.5mm) – 16pcs



L – Flat washers (5/16" x 15 x 2mm) - 8pcs



M – Spring washers
(5/16" x 13mm) – 8 pcs



N – Wooden Dowels - 8 pcs
(5/16" x 13mm) – 8 pcs

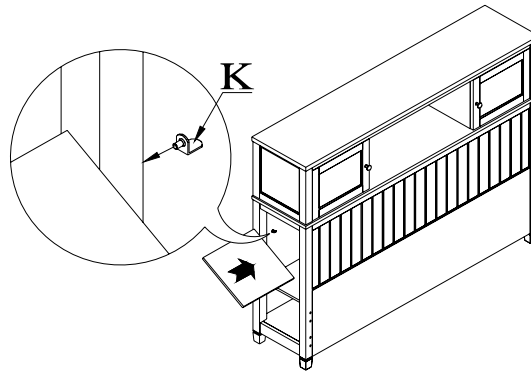


Tools Required:

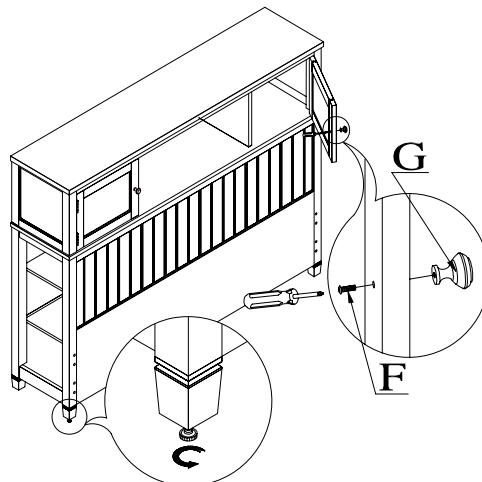
Phillips Head Screwdriver (not included)

Assembly:

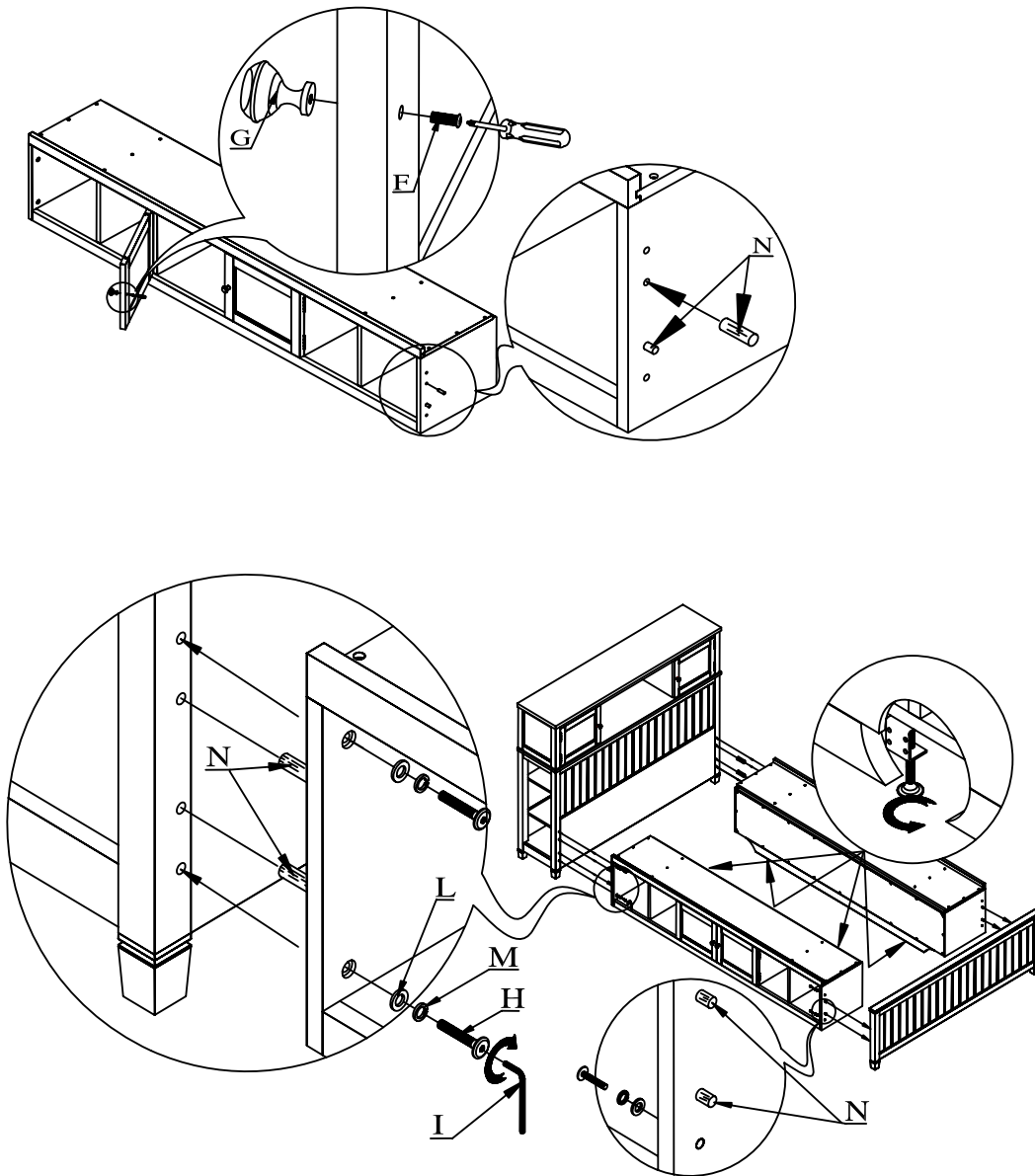
1. On a soft, scratch-free surface, such as a carpet or rug, remove the Headboard (A) from box.
2. Determine the desired height for Shelves (E) using the corresponding peg holes in the Headboard (A) interior. Insert the Shelf Pegs (K) into the pre-drilled holes until they are fully secure. Place each Adjustable Shelf (E) onto the Shelf Pegs (K), making sure they are stable.



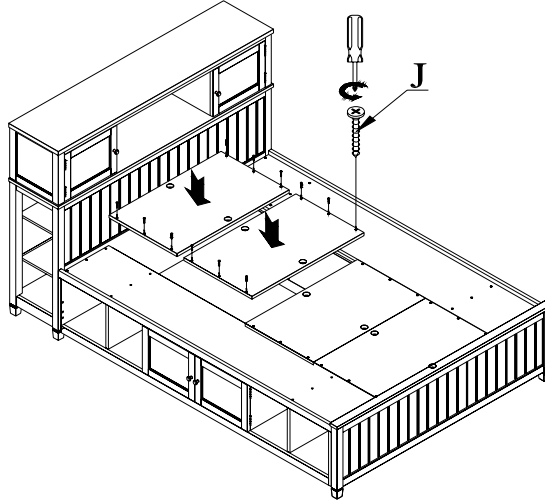
3. Gently attach both Wooden Knobs (G) to doors. Hold the Wooden Knobs (G) over the pre-drilled holes in door fronts. Screw wooden knob bolt (F) through the rear of the door front so that it enters the Wooden Knob (G), using Phillips Head Screwdriver. Adjust recessed levelers on the bottom of the legs if needed.



4. Continue attaching Wooden Knobs (G) to doors of both Siderail Storages (B), the same as Headboard (A). Move the Siderail Storages (B) to the Headboard (A) and Footboard (C), as shown below. Insert Wooden dowels (N) into the two middle pre-drilled holes on each end of the Siderail Storage (B) and attach the Siderail Storages (B) to the Headboard (A) and Footboard (C) by inserting the exposed part of the Wooden dowels (N) into the corresponding pre-drilled holes in the legs of Headboard (A) and Footboard (C).
5. Slide a Spring Washer (M), followed by a Flat Washer (L) onto a Hex Bolt (H). Insert Hex Bolts (H) through the other pre-drilled holes of the Siderail Storage (B) into the pre-drilled holes in the legs of the Headboard (A). Loosely tighten the Hex Bolts (H) by using enclosed Allen key (I), as shown in the illustration below. Do not fully tighten the Hex Bolts (H) until all are in place to avoid misalignment.
6. Repeat with Footboard (C). Adjust the recessed levelers located at the base of each leg and underneath both Siderail Storages (B) by turning the levelers counter – clockwise until adequate contact is made with the floor to make sure the whole assembly is balanced.



7. Lay the 4 Center Platform pieces (D) in place over the lips of both Siderail Storages (B). Insert Phillips Head Screws (J) and fasten by using the Phillips Head Screwdriver, as shown.



8. Hardware should be checked periodically for tightness.

Care Instructions:

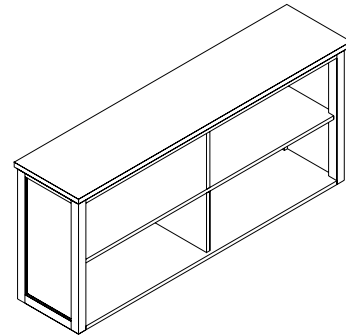
- Avoid direct sunlight and excessive temperatures.
- Dust often using a clean, soft, dry and lint-free cloth.
- Slightly moisten cloth with water. A damp cloth holds dust and prevents scratching.
- Waxing is not recommended on lacquered finish.



Beadboard Bed Hutch

Pre-assembly:

- Please read all instructions before starting to assemble.
- Two-person is recommended during assembly..
- Save all packing materials until assembly is complete to avoid accidentally discarding smaller parts or hardware.

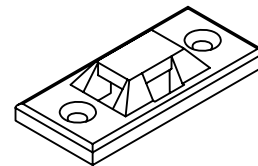
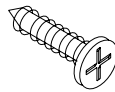
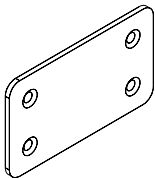


Hardware Included:

A – (2) Mending plates
(70 x 40mm)

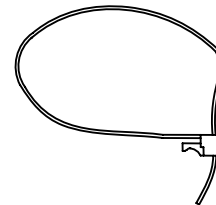
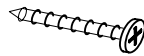
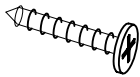
B – (8) Small Phillips head screws (6 x 15mm)

C - (2) Brackets



D - (2) Long screws (6 x 32mm) E - (2) Short screws (6 x 19mm)

F - (1) Nylon strap

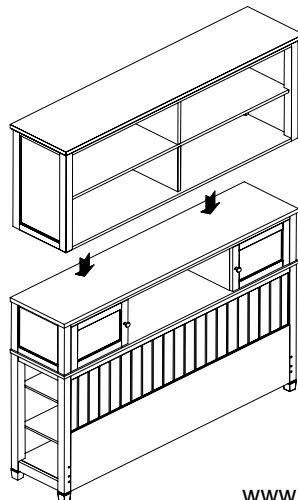


Tools Required:

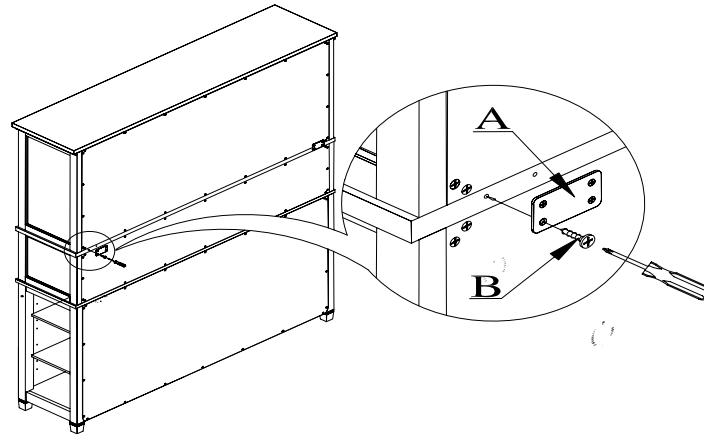
(1) Phillips Screwdriver (not included)

Assembly:

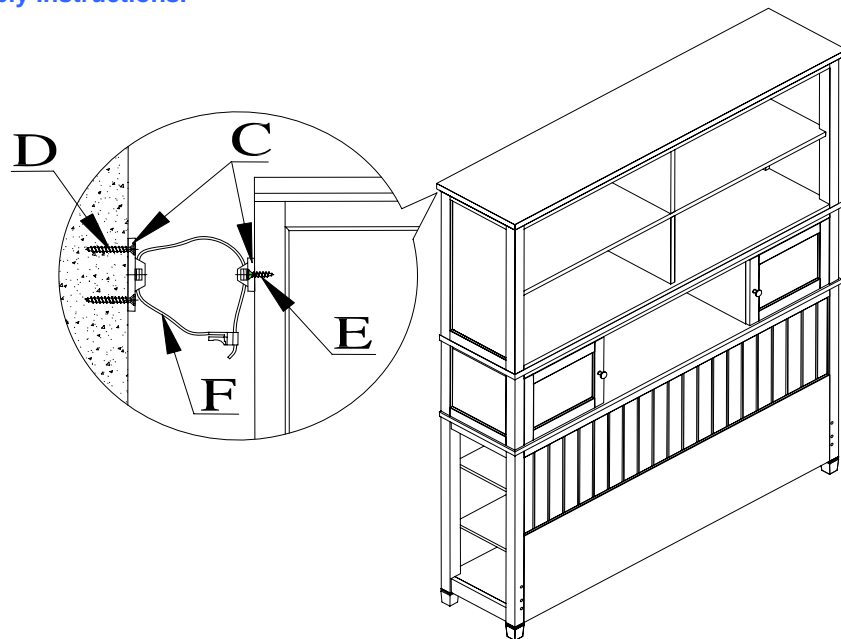
9. On a soft, scratch-free surface, such as a carpet or rug, remove the hutch from box.
10. It's recommended that two people lift the hutch up and put it on the top of Bed headboard, as shown.



11. Using the Mending Plates (A) and Phillips Head Screws (B), affix the Hutch to the Bed Headboard. Align the Mending plates (A) over the pre-drilled holes in the back of the Headboard and the back of the Hutch. Insert the Phillips Head Screws (B) through the Mending Plate (A) into the Hutch and Headboard's pre-drilled holes and tighten using a Phillips Head Screwdriver. Do not fully tighten until all screws are in place. Failure to do so may cause the bolts to misalign. Repeat on other side and fully tighten all screws.



12. To install the anti-tip mechanism, locate a wall stud behind your furniture. Position a Bracket (C) on the stud approximately 1" below the top of the furniture. Mark and drill pilot hole into the center of the stud with a 3/32" drill bit. Attach a Bracket (C) to the stud with the Long Screws (D) provided.
13. On the back of the furniture, the second Bracket (C) will need to be attached to the furniture frame at the top. To do this, temporarily move the furniture into its final position and mark the location of the wall's Bracket (C) on the furniture frame with a pencil.
14. Move the furniture away from the wall and place a Bracket (C) on the mark. Using the marks from the previous step as a guide, drill holes for screws with a 3/32" drill bit. Attach the Bracket (C) to the furniture with the Short Screws (E) provided.
15. Move the furniture into its final position, taking care to line up the wall Bracket (C) with the furniture Bracket (C). Thread the Nylon Strap (F) through the Bracket (C) and clinch as shown in the illustration. Tighten strap until snug. Do not overtighten. **For setting up a complete bed, refer to bed's Assembly Instructions.**



Care Instructions:

- Avoid direct sunlight and excessive temperatures.
- Dust often using a clean, soft, dry and lint-free cloth.
- Slightly moisten cloth with water. A damp cloth holds dust and prevents scratching.
- Waxing is not recommended on lacquered finish.



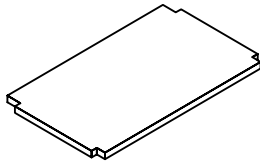
Beadboard Bookcase

Pre-assembly:

- Please read all instructions before beginning assembly.
- Two-person assembly is recommended.
- Save all packing materials until assembly is complete to avoid accidentally discarding smaller parts or hardware.

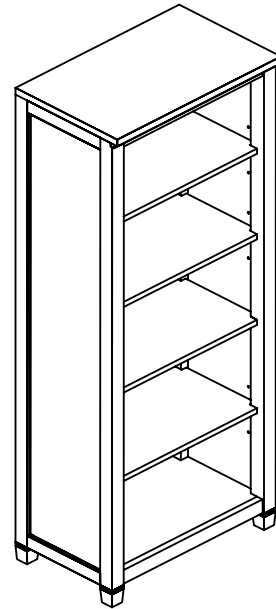
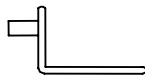
Parts included:

A - (3) Adjustable shelves



Hardware Included:

B - (16) Shelf support pegs (5 x 13 x 16 x 1.5mm)
(4 for use with each of 3 adjustable shelves)



Tools Required:

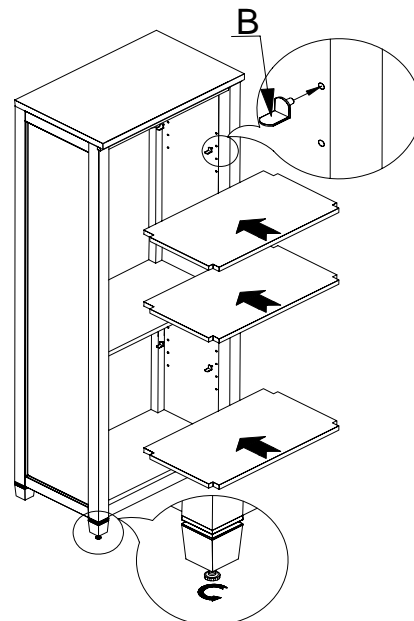
Phillip Screwdriver (not included)

Assembly:

16. On a soft, scratch-free surface, such as a carpet or rug, remove the bookcase from box.
17. Determine the desired height for shelf using the corresponding peg holes in the bookcase interior.
18. Insert the shelf support pegs (B) into the pre-drilled holes in the bookcase interior until fully secure. Place shelf (A) onto the support pegs making sure the shelf is stable. See illustration.
19. Adjust the recessed levelers located at the base of each leg to keep the bookcase level.
20. Hardware should be checked periodically for tightness.

Care Instructions:

- Avoid direct sunlight and excessive temperatures.
- Dust often using a clean, soft, dry and lint-free cloth.
- Slightly moisten cloth with water. A damp cloth holds dust and prevents scratching.
- Waxing is not recommended on lacquered finish.



Furniture Tipping Restraint

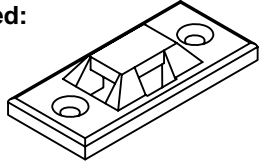
Young children may be injured by tipping furniture. The use of a tipping restraint is highly recommended.

When properly installed, this restraint could provide protection against the unexpected tipping of furniture due to small tremors, bumping or climbing. We recommend mounting this restraint to a wall stud.

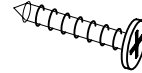
WARNING: This product is only a deterrent. It is not a substitute for proper adult supervision.

Hardware Included:

A - (2) Brackets



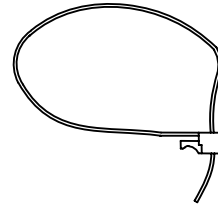
B - (2) Long screws (6 x 32)



C - (2) Short screws (6 x 20)



D - (1) Nylon strap



Installation Instructions:

1. Locate a wall stud behind your furniture. Position a Bracket (A) on the stud approximately 1" below the top of the furniture. Mark and drill pilot hole into the center of the stud with a 3/32" drill bit. Attach a Bracket (A) to the stud with the Long Screws (B) provided.
2. On the back of the furniture, the second Bracket (A) will need to be attached to the furniture frame at the top. To do this, temporarily move the furniture into its final position and mark the location of the wall's Bracket (A) on the furniture frame with a pencil.
3. Move the furniture away from the wall and place a Bracket (A) on the mark. Using the marks from the previous step as a guide, drill holes for screws with a 3/32" drill bit. Attach the bracket to the furniture with the Short Screws (C) provided.
4. Move the furniture into its final position, taking care to line up the wall bracket with the furniture bracket. Thread the Nylon Strap (D) through the Bracket and cinch as shown in the illustration. Tighten strap until snug. Do not overtighten.

