



## PIPER CAPIZ PENDANT WHITE SUSPENSION ECAILLES CAPIZ PIPER BLANC

### Assembly and Installation Instructions

#### CAUTION:

- **BEFORE INSTALLING FIXTURE, MAKE SURE THE POWER TO THE CIRCUIT IS TURNED OFF AT THE MAIN FUSE BOX / CIRCUIT BREAKER UTILITY BOX.**

#### Important Safety Instructions:

- These instructions are provided for your safety. It is very important that they are read carefully and completely before beginning the assembly and installation of this lighting fixture.
- We strongly recommend that a professional electrician install all direct wire fixtures.
- THIS PRODUCT MUST BE INSTALLED IN ACCORDANCE WITH THE APPLICABLE INSTALLATION CODES BY A PERSON FAMILIAR WITH THE CONSTRUCTION AND OPERATION OF THE PRODUCT AND THE HAZARDS INVOLVED.
- The lighting fixture is meant for indoor use. It must be connected only to 3-wire, single-phase electrical supply systems (provided with Ground wire or equivalent protection system).
- For your safety, it is strongly recommended that two people install the lighting fixture.
- This fixture has been rated for up to one (1) **60-watt maximum TYPE A standard incandescent light bulb** (not included) or one (1) **13-watt compact fluorescent light bulb** (not included). To avoid the risk of fire, do not exceed the recommended wattage.
- The lighting fixture is meant for indoor use, DRY LOCATIONS ONLY.
- **Save these instructions.**

#### WARNING:

- **To reduce the risk of fire, electrical shock or personal injury, always turn off light fixture and allow it to cool prior to replacing light bulb.**
- **Do not touch bulb when fixture is turned on. Do not look directly at lit bulb.**
- **Keep flammable materials away from lit bulb.**
- **This lighting fixture contains lead, a chemical known to the State of California to cause cancer, birth defects and other reproductive harm. Wash hands after installing, handling, cleaning or otherwise touching this light fixture.**

#### Pre-assembly:

- Remove all parts and hardware from box along with any plastic protective packaging.
- Do not discard any contents until after assembly is complete to avoid accidentally discarding small parts or hardware.
- For your safety and convenience, assembly by two people is recommended.

#### Parts Included:

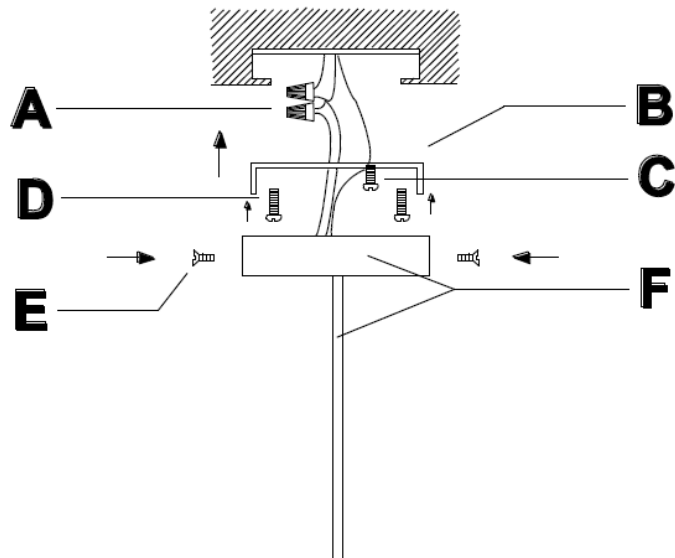
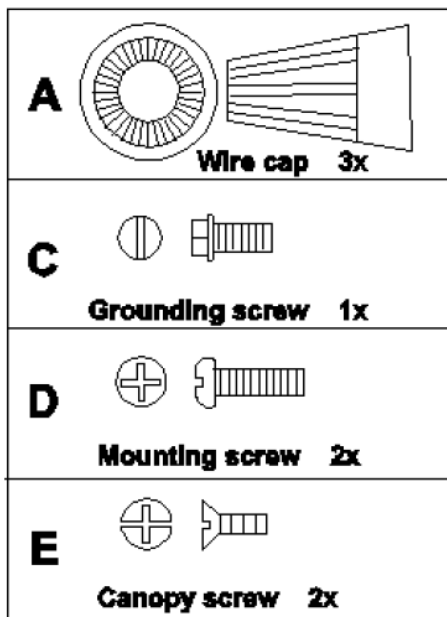
- (1) Crossbar (B)
- (1) Canopy/Metal Tube (F)
- (1) Socket (G)
- (1) Lamp Shade (H)

#### Hardware Enclosed:

- (3) Plastic Wire Nut Connectors (A)
- (1) Green Ground Screw (C)
- (2) Mounting Screws (D)
- (2) Canopy Screws (E)



**BUREAU  
VERITAS**

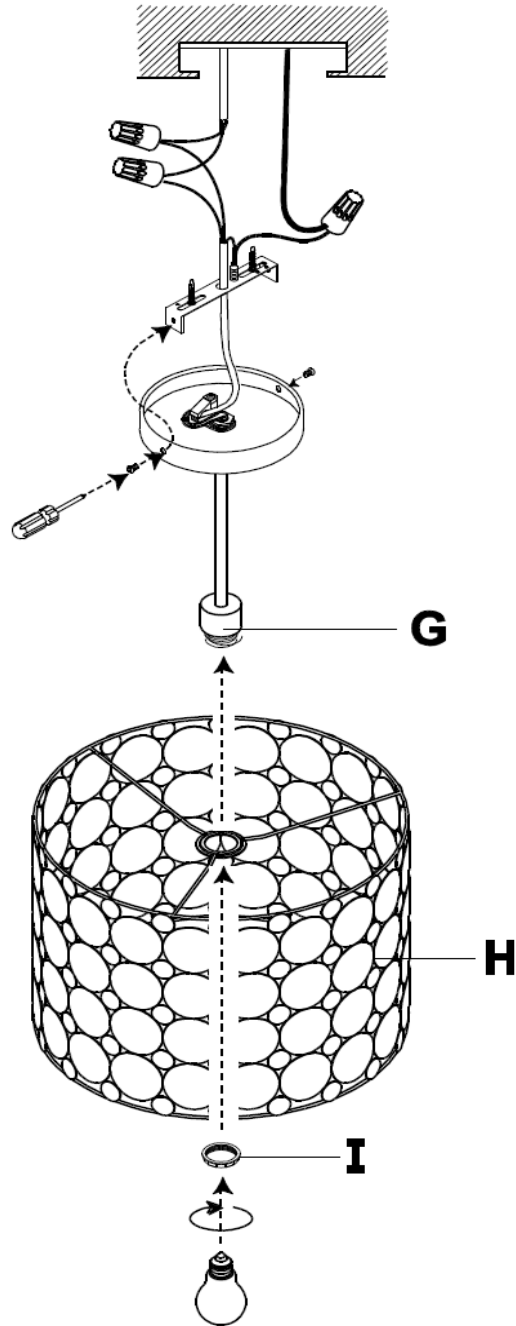


### Assembly Instructions:

1. **SHUT OFF THE MAIN ELECTRICAL SUPPLY FROM THE MAIN FUSE BOX/CIRCUIT BREAKER!**
2. Carefully unpack all fixture parts and hardware and lay them out on a clear workspace.
3. Gently pull existing wire down from the ceiling junction box and allow it to hang.
4. Carefully inspect the lighting fixture wires. The NEUTRAL FIXTURE WIRE is White or marked as "N". The HOT FIXTURE WIRE is Black or marked as "L". The GROUND WIRE is Green or marked with an "arrow inside a circle inside a square" symbol.
5. Attach the GROUND WIRE from the fixture to the GROUND JUNCTION BOX WIRE from the ceiling outlet junction box (J-box) (usually green insulation or bare wire). Fasten each together with a Plastic Wire Nut Connector (A) and wrap the connection with electrical tape. Be sure that no wire strands are exposed. If your outlet junction box DOES NOT have a GROUND WIRE, be sure to insert the Green Ground Screw (C) into the Crossbar (B) marked as "GND", facing down and wrap the fixture's bare ground wire around the Green Ground Screw (C). **IT IS IMPERATIVE THAT THE JUNCTION BOX IN YOUR HOME BE PROPERLY GROUNDED!**
6. Connect the NEUTRAL FIXTURE WIRE to the NEUTRAL JUNCTION BOX WIRE (usually white insulation). Fasten each together with a Plastic Wire Nut Connector (A) and wrap the connection with electrical tape. Be sure that no wire strands are exposed.
7. Connect the HOT FIXTURE WIRE to the HOT JUNCTION BOX WIRE (usually black insulation). Fasten each together with a Plastic Wire Nut Connector (A) and wrap the connection with electrical tape. Be sure that no wire strands are exposed. **DO NOT REVERSE THE HOT AND NEUTRAL CONNECTIONS OR SAFETY WILL BE COMPROMISED**
8. Gently tuck the wire connections neatly into the ceiling junction box.
9. Attach the Crossbar (B) to the ceiling outlet box using the J-Box Mounting Screws (D). Tighten screws with a screwdriver.
10. Raise Canopy (F) up over the Crossbar (B), align the holes in the Crossbar (B) with the holes on the side of the Canopy (F).
11. Insert the 2 Canopy Screws (E) and tighten with a Phillips Head screwdriver.
12. Unscrew Socket Ring (I) from the Socket (G), place the Lamp Shade (H) onto Socket (G). Then secure Lamp Shade (H) into position by turning the Socket Ring (I) in a clockwise direction until tight.
13. Insert one **60 watt maximum TYPE A** standard incandescent light bulb (not included) or **13-watt compact fluorescent bulb** (not included) into the socket (G). **DO NOT EXCEED SPECIFIED WATTAGE.**
14. Restore power to junction box and test fixture.
15. Installation is complete.

### Care instructions:

- Wipe clean with a soft, dry cloth or static duster.
- Always avoid the use of harsh chemicals or abrasive cleaners as they may cause damage to the fixture's finish.



Thank you for your purchase  
stores | catalog | [www.pbteen.com](http://www.pbteen.com)  
USA 1.866.472.4001