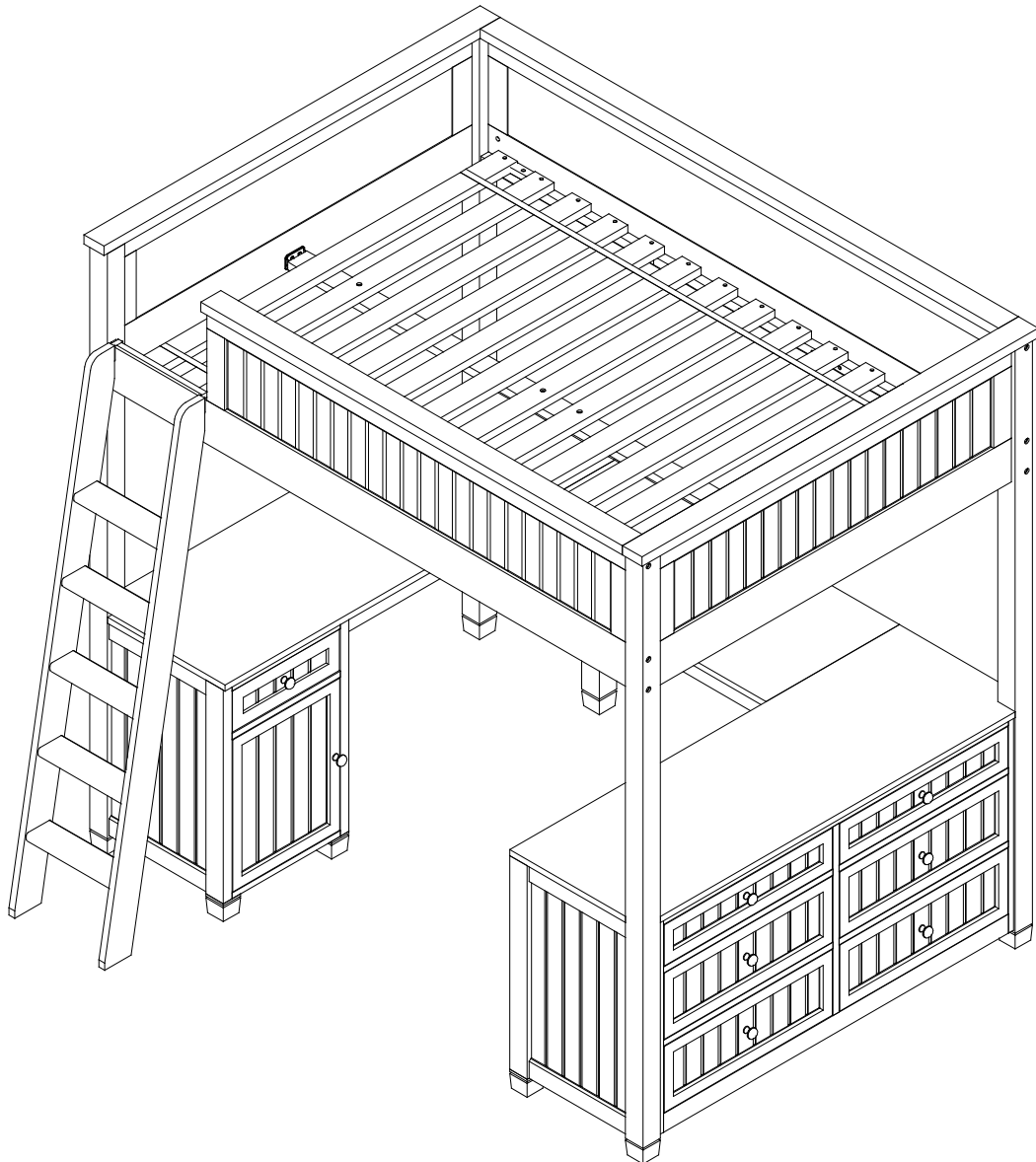




BEADBOARD LOFT BED
ASSEMBLY INSTRUCTIONS





WARNING: Failure to follow these warnings and assembly instructions could result in serious injury or death. To prevent serious or fatal injuries from entrapment or falls please follow these warnings:

- Read all instructions before assembling this bunk bed.
- Before each usage or assembly, inspect bunk bed for damaged hardware, loose joints, missing parts, or sharp edges. DO NOT use the bunk bed if any parts are missing or broken.
- DO NOT use substitute parts. Contact PBteen for replacement parts and instructional literature if needed.
- Follow the information on the warnings located on the upper bunk end structure and on the carton. DO NOT REMOVE WARNING LABEL FROM THE BED.
- Always use the recommended size mattress or mattress support, to help prevent the likelihood of entrapment or falls.
- Ensure the thickness of the mattress does not exceed 9 inches and the surface of the mattress must be at least 5 inches (127 mm) below the upper edge of the guardrails.
- Use only a mattress that is 74"-75" long and 52.5"-53.5" wide on the upper bunk.
- Do not allow children under 6 years of age to use the upper bunk.
- Periodically check and ensure that the guardrail, ladder, and other components are in their proper position, free from damage, and that all connectors are tight.
- Do not allow horseplay on or under the bed.
- No jumping on the bed.
- No more than one person allowed on the upper bunk at a time.
- Always use the ladder for entering and leaving the upper bunk.
- Using a night-light may provide added safety precaution for a child using the upper bunk.
- Always use guardrails on both long sides of the upper bunk. If the bunk bed will be placed next to the wall, the guardrail that runs the full length of the bed should be placed against the wall to prevent entrapment between the bed and wall.
- The use of water or sleep flotation mattresses is prohibited.
- If refinishing, use a non-toxic finish specified for children's products.

STRANGULATION HAZARD - Never attach or hang items to any part of the bunk bed that are not designed for use with the bed; for example, but not limited to, hooks, belts and jump ropes.

KEEP THESE INSTRUCTIONS FOR FUTURE REFERENCE.

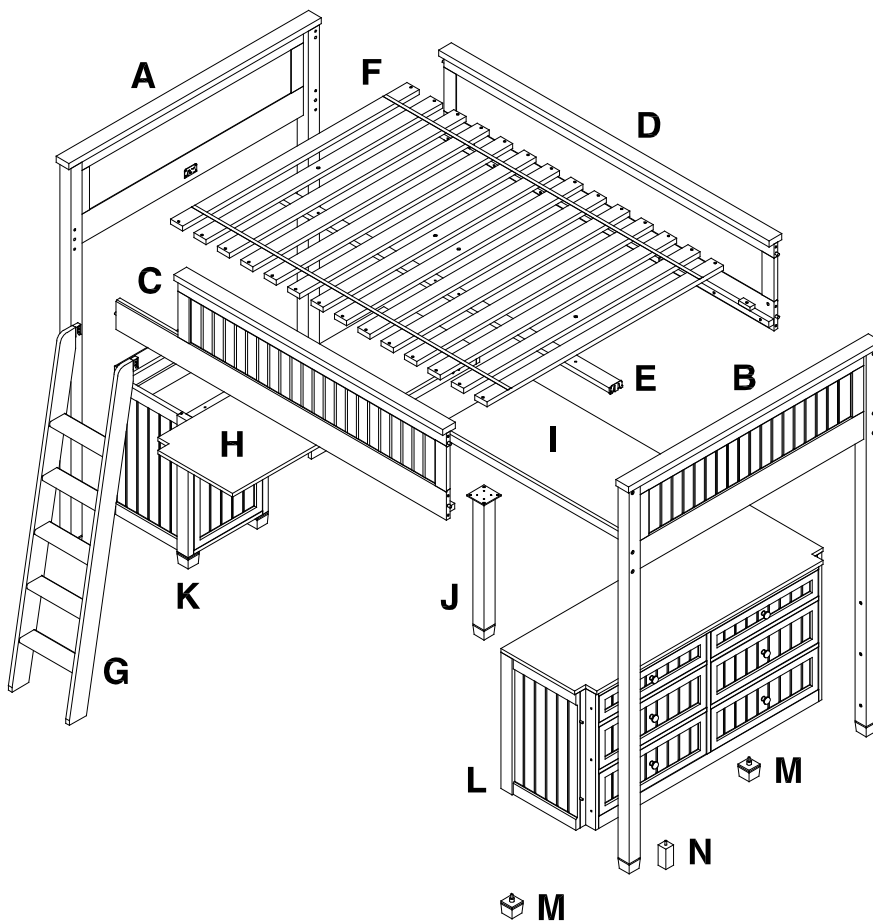
04-000066-3

Important Safety Instructions:

- Please read all instructions carefully before assembling this loft bed.
- For your safety, assembly by two or more adults is strongly recommended.
- Keep these instructions for future use.
- Use only vendor-supplied hardware to assemble this item. Using unauthorized hardware could jeopardize the structural integrity of the item.

Pre-assembly:

- Remove all parts and hardware from the box. Place them on a carpeted or scratch-free work surface, as this will avoid damaging parts during assembly. The shipping box provides an ideal work surface.
- To avoid accidentally discarding small parts or hardware, do not dispose of any packaging or contents of the shipping carton until assembly is complete.
- Use the parts and hardware lists below to identify and separate each of the pieces included.
- The illustrations provided allow for easier assembly when used in conjunction with the assembly instructions.
- The use of power tools to aid in assembly is not recommended. Power tools can damage the hardware and split the wood.



PARTS INCLUDED:	
(A). Footboard	1x
(B). Headboard	1x
(C). Front Guardrail	1x
(D). Rear Guardrail	1x
(E). Support Rail	1x
(F). Slat Roll	1x
(G). Ladder	1x
(H). Large Desktop	1x
(I). Small Desktop	1x
(J). Desk Post	1x
(K). Nightstand	1x
(L). Dresser	1x
(M) Dresser Foot	2x
(N) Dresser Support Leg	1x


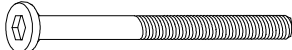
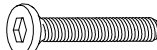
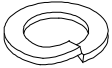
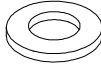
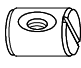
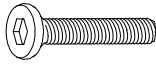
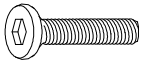




Tools Required:

Philips Head Screw Driver



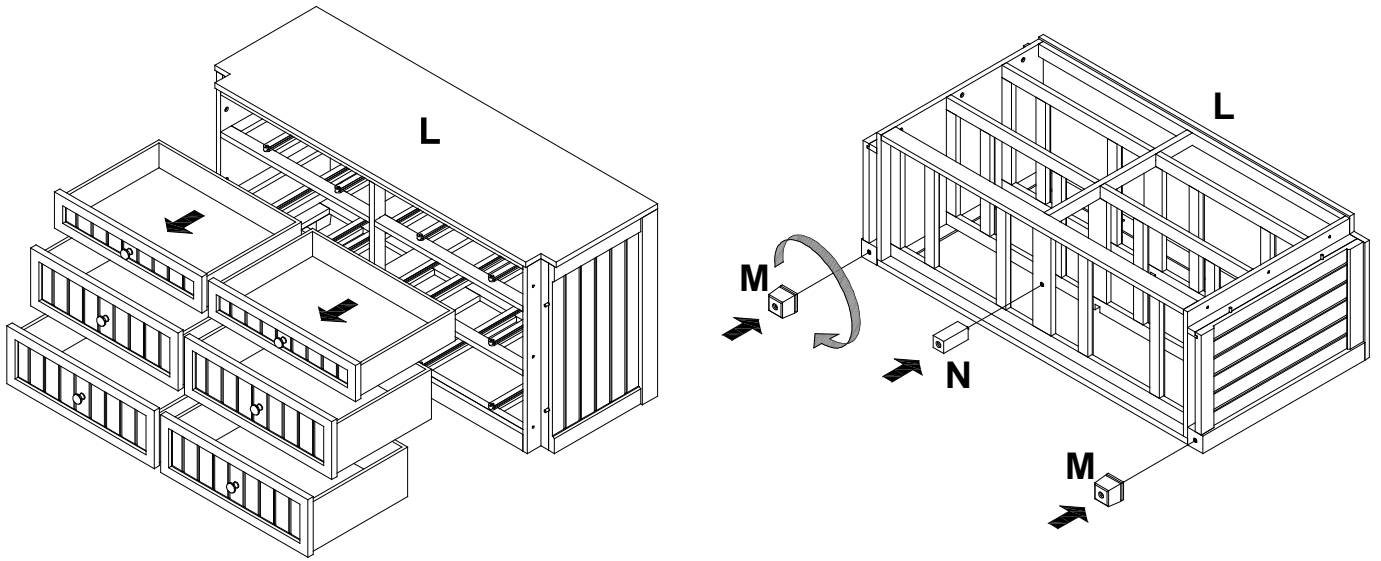
(not included)

Hardware Included:

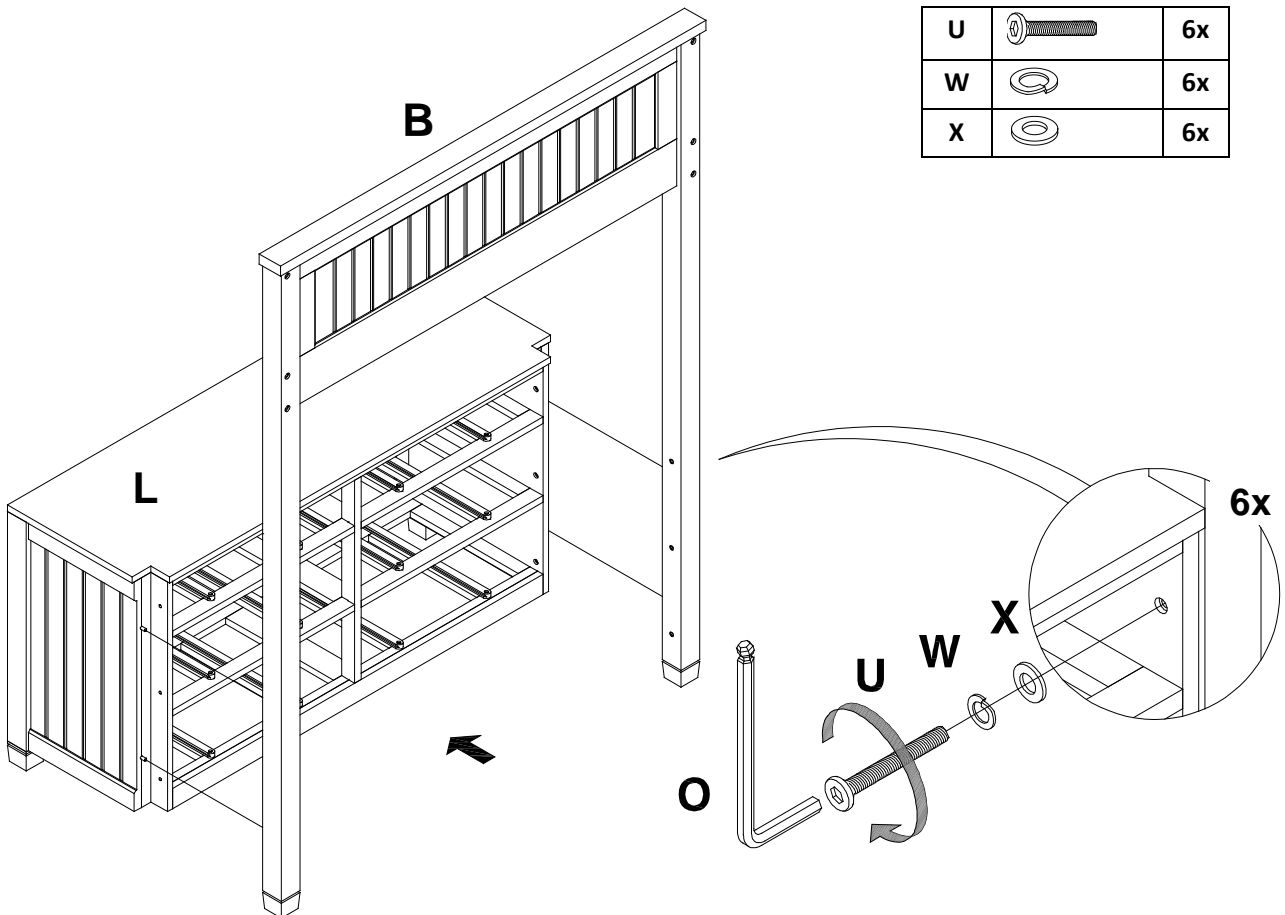
 (O). Allen Key- 1pc	 (P) Large Bolt 5/16x110mm – 11x	 (Q) Large Bolt 5/16x35mm – 4x
 (R) Large Spring Washer – 4x	 (S) Large Flat Washer – 4x	 (T) Barrel Nut – 11x
 (U) Small Bolt 1/4x32mm- 14x	 (V) Small Bolt 1/4x25mm – 8x	 (W) Small Spring Washer – 22x
 (X) Small Flat Washer – 22x	 (Y) Long Screw 4x30mm – 28x	 (Z) Short Screw 4x19mm – 2x

Assembly Instruction Steps:




1. Remove the drawer boxes from Dresser (L) and keep the drawer boxes for later use.
2. Attach Dresser Foot (M) and Dresser Support Leg (N) to the pre-drilled holes located on the dresser bottom, as seen in the illustration below.

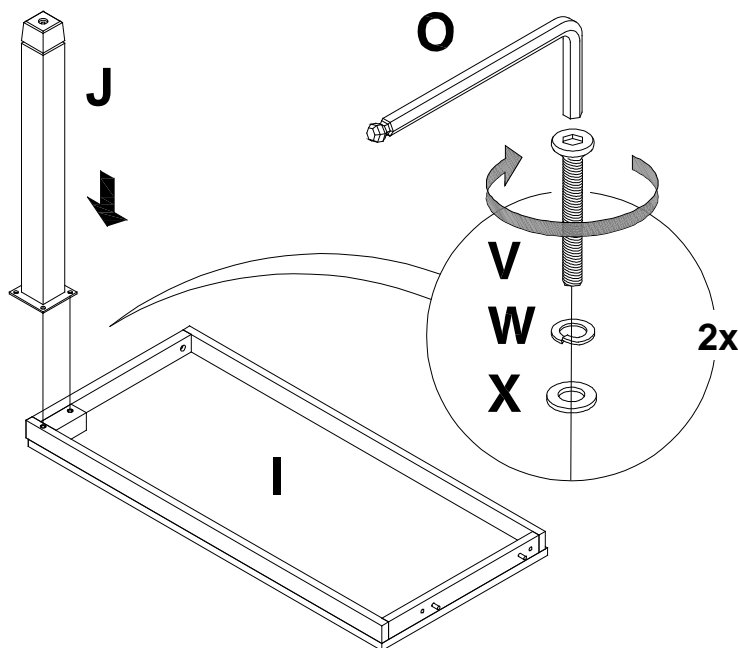


3. Attach Headboard (B) to the cut-outs of Dresser (L) by aligning the holes on Headboard (B) to the wooden dowels on Dresser (L).
4. Insert (6) Small Bolts (U) each with a Small Spring Washer (W) and Small Flat Washer (X) from the interior of Dresser (L), into the pre-installed metal inserts of the headboard posts, as seen in the illustration below.
5. Tighten with the supplied Allen Key (O).






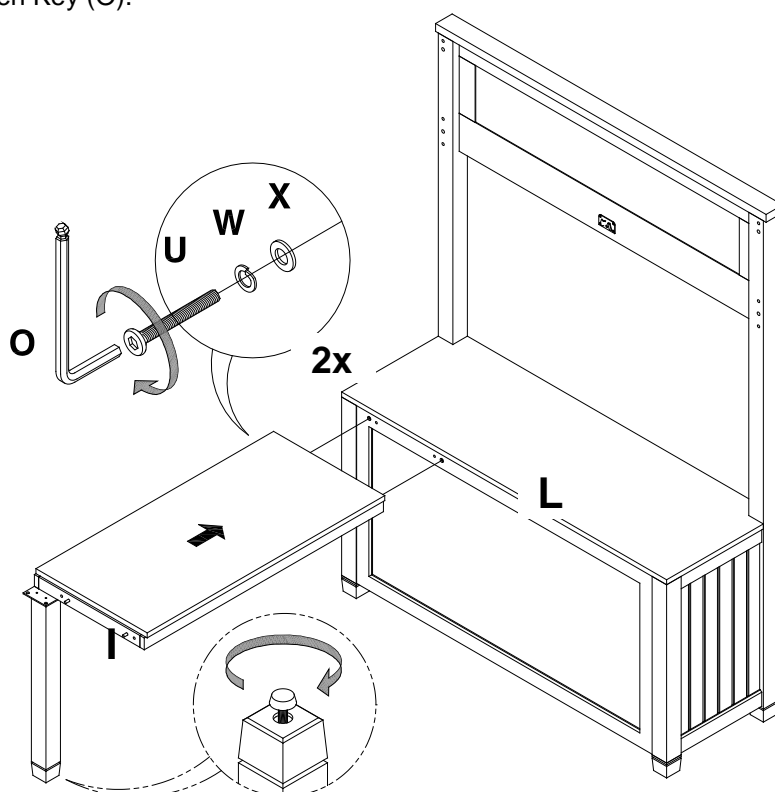
6. Place the Small Desktop (I) upside down on a soft, scratch-free surface.
7. Attach Desk Post (J) to the bottom of Small Desktop (I), as seen in the illustration below.
8. Insert (2) Small Bolts (V) each with a Small Spring Washer (W) and Small Flat Washer (X) into the pre-installed metal inserts on the Small Desk (I), as seen in the illustration below.
9. Tighten with Allen Key (O).

V		2x
W		2x
X		2x







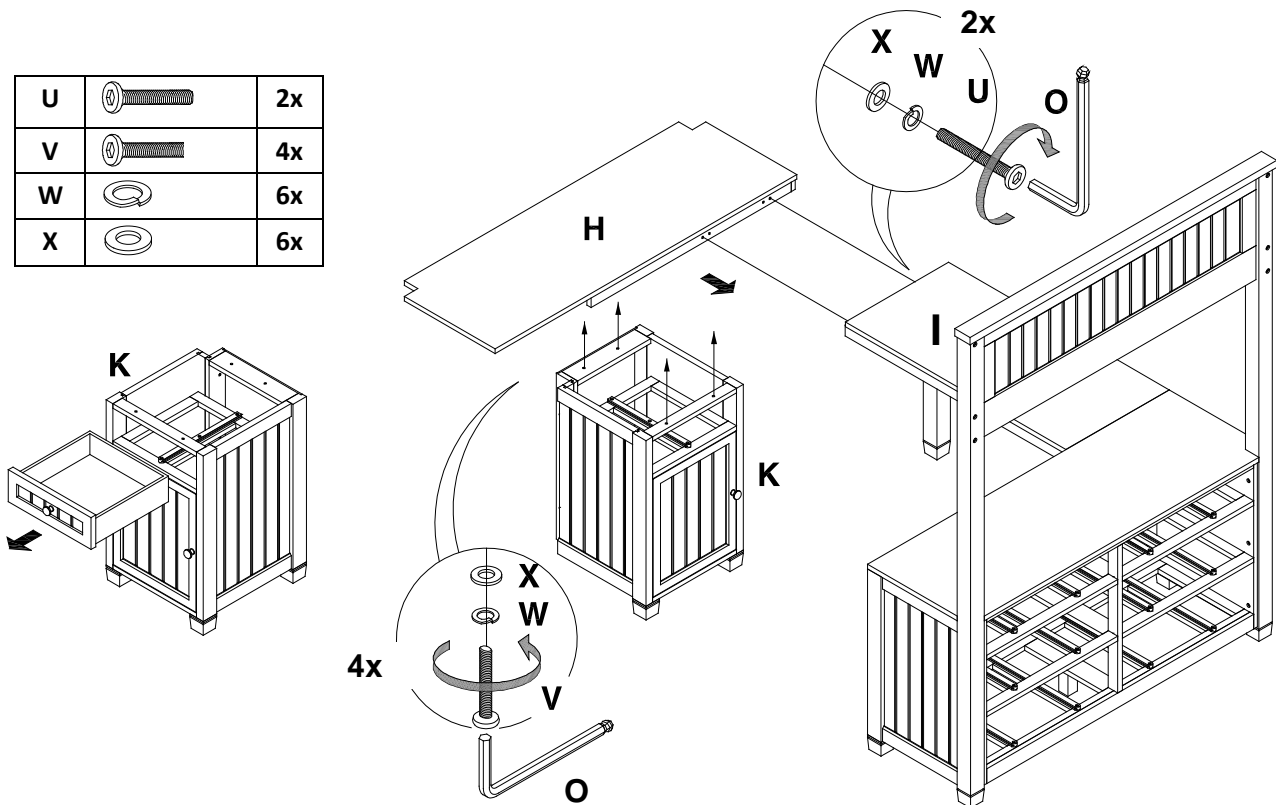
10. Attach the assembled Small Desktop (I) to Dresser (L) by aligning the wooden dowels on the Small Desktop (I) to the pre-drilled holes on the Dresser (L).
11. Adjust the leveler (in or out) on the bottom of the desk post to keep the desktop level when needed.
12. Slide a Small Spring Washer (W) and a Small Flat Washer (X) onto a Small Bolt (U).
13. Insert (2) Small Bolts (U) with Small Washers from the Desktop into the pre-installed metal inserts located on the Dresser, as seen in the illustration below.
14. Tighten the bolts loosely with Allen Key (O).

U		2x
W		2x
X		2x

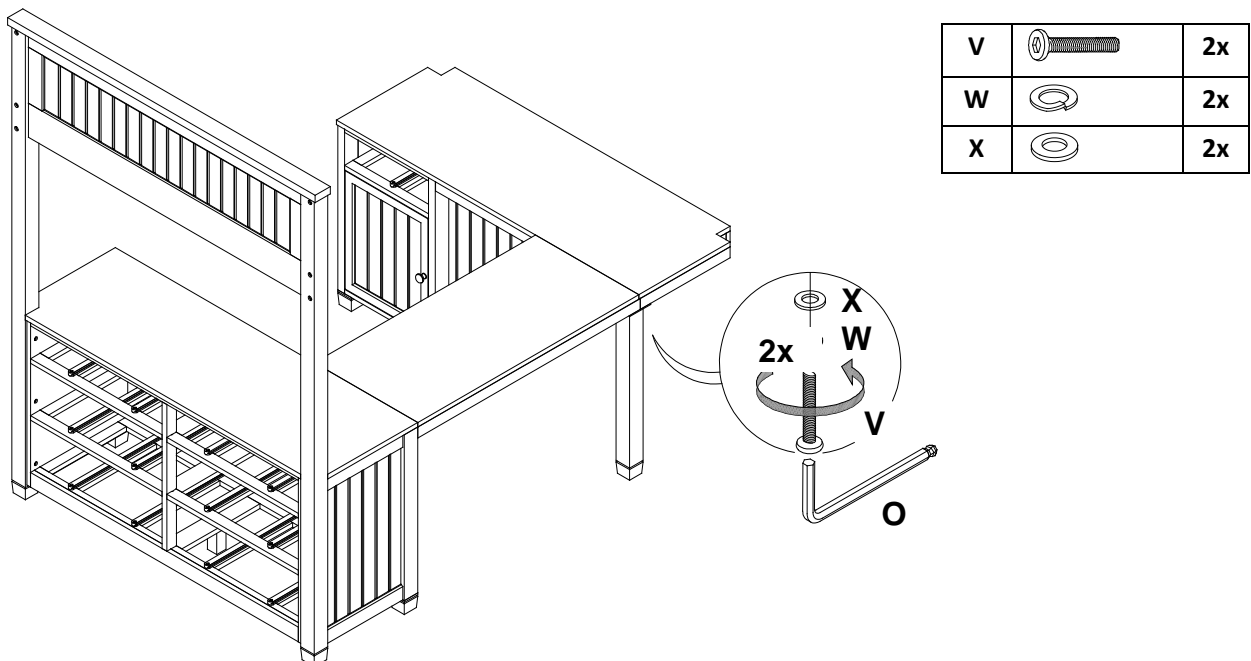





15. Remove the drawer box from Nightstand (K) and keep the drawer box for later use.
16. Place the Large Desktop (H) onto Nightstand (K).
17. Insert (4) Small Bolts (V) each with a Small Spring Washer (W) and Small Flat Washer (X) from the Nightstand (K) into the metal inserts on the bottom of the Large Desktop (H).
18. Tighten with Allen Key (O).
19. Attach the assembled Large Desktop (H) to the Small Desktop (I) by aligning the pre-drilled holes on the Large Desktop (H) to the wooden dowels on the Small Desktop (I).
20. Insert (2) Small Bolts (U) each with a Small Spring Washer (W) and a Small Flat Washer (X) to the Small Desktop (I) and into the metal inserts on the Large Desktop (H), as seen in the illustration below.
21. Secure with Allen Key (O).

U		2x
V		4x
W		6x
X		6x

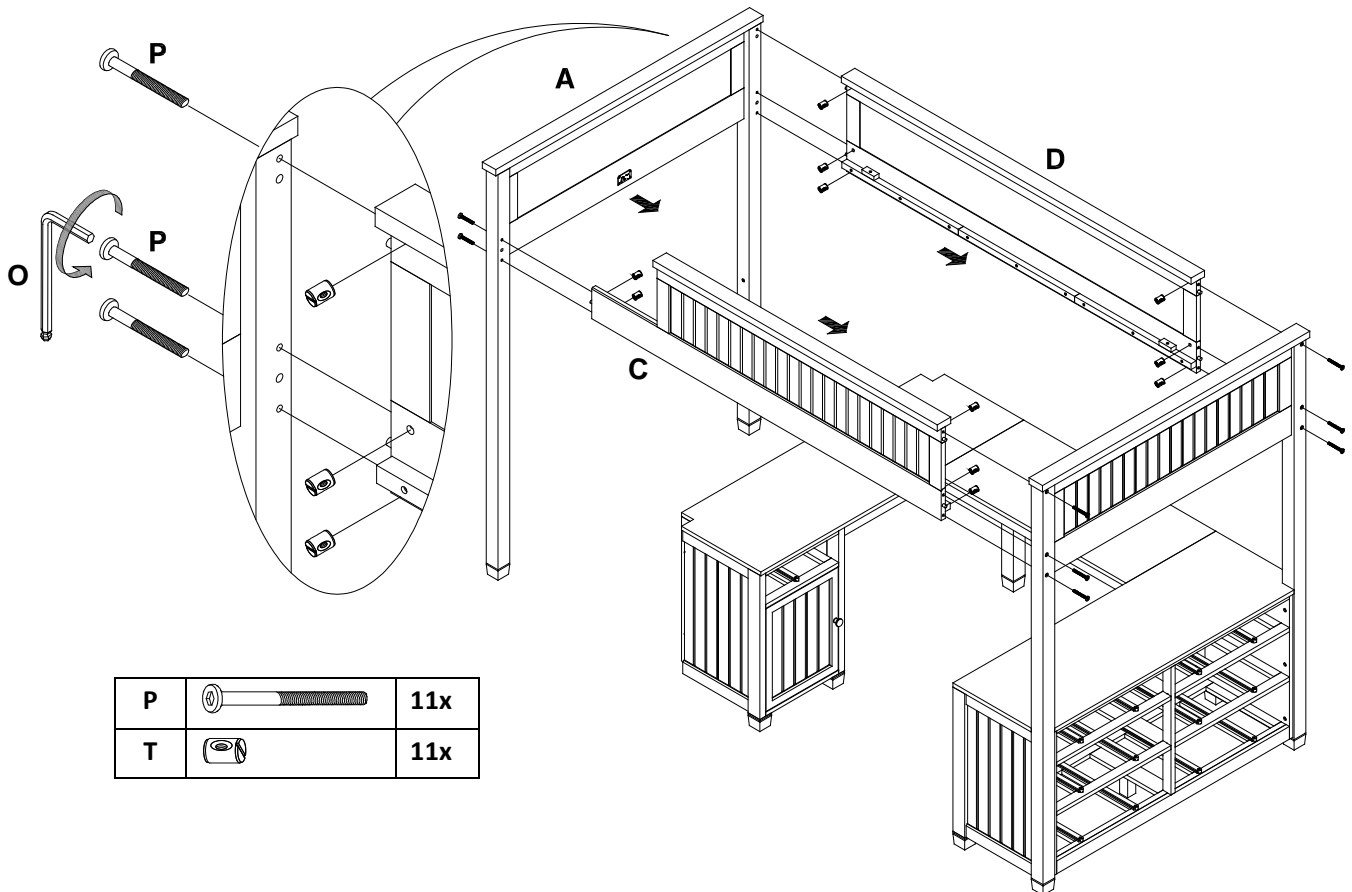


22. Insert (2) Small Bolts (V) each with a Small Spring Washer (W) and a Small Flat Washer (X) from the Desk Post metal plates into the pre-installed metal inserts on the Large Desktop (H), as shown below.
23. Tighten with Allen Key (O).



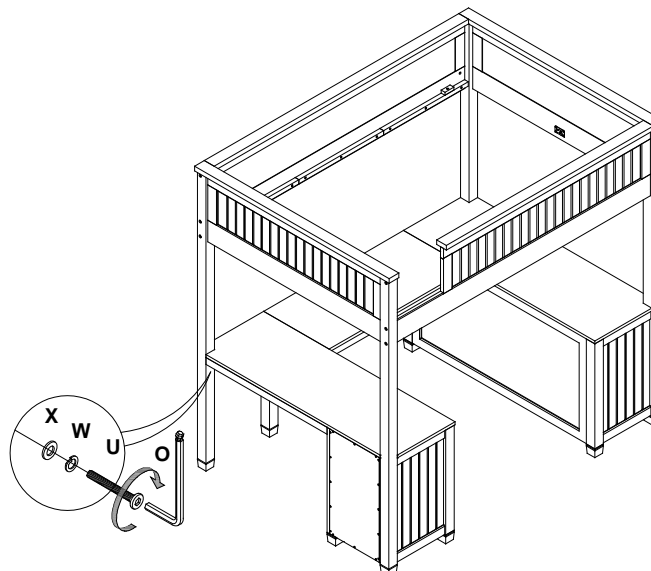
V		2x
W		2x
X		2x

24. Align the wooden dowels on both ends of the Rear Guardrail (D) into the pre-drilled holes located on the Headboard and Footboard (A&B) posts.
25. Insert (6) Barrel Nuts (T) onto the cutouts of the Rear Guardrail (D) and insert (6) Large Bolts (P) through the Headboard and Footboard posts (A & B) into the corresponding barrel nuts. Keep bolts loosely secured for easy assembly.
26. Align the wooden dowels on both ends of the Front Guardrail (C) into the pre-drilled holes located on Headboard and Footboard (A&B) posts.
27. Insert (5) Barrel Nuts (T) and (5) Large Bolts (P) on the interior to secure, as instructed in the previous step. Make sure Footboard (A) post fits well into the cutout of the Large Desktop (H), before securing the bolts.
28. Check alignments and tighten all connecting bolts.

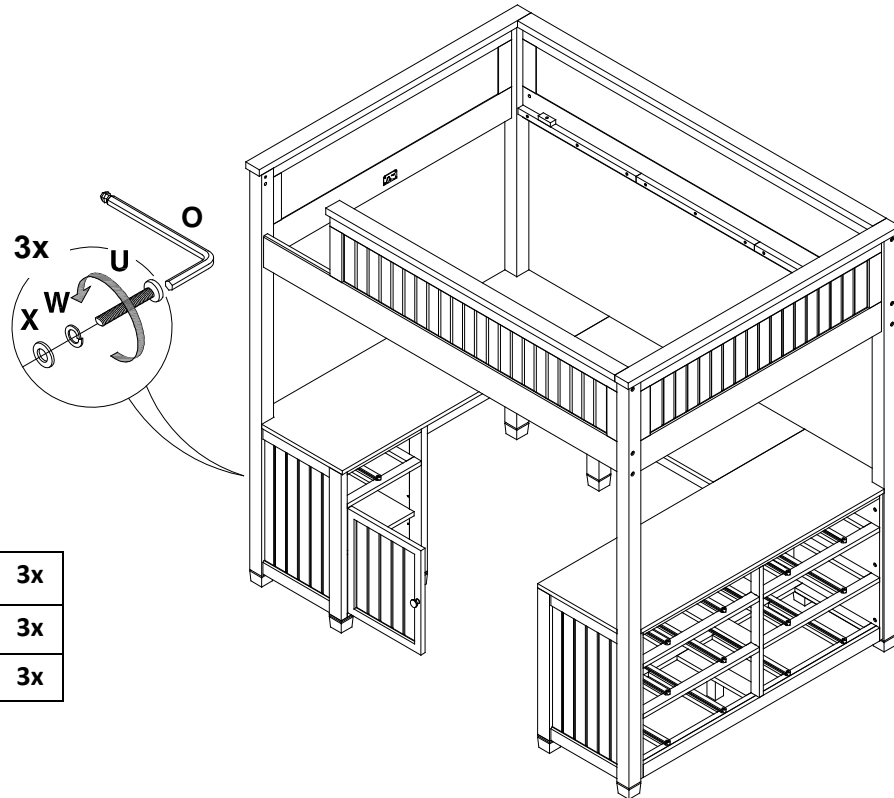





29. Insert (1) Small Bolt (U) with a Small Spring Washer (W) and a Small Flat Washer (X) from the Large Desktop into the metal inserts located on Footboard (A) post.
30. Secure with Allen Key (O).

U		1x
W		1x
X		1x

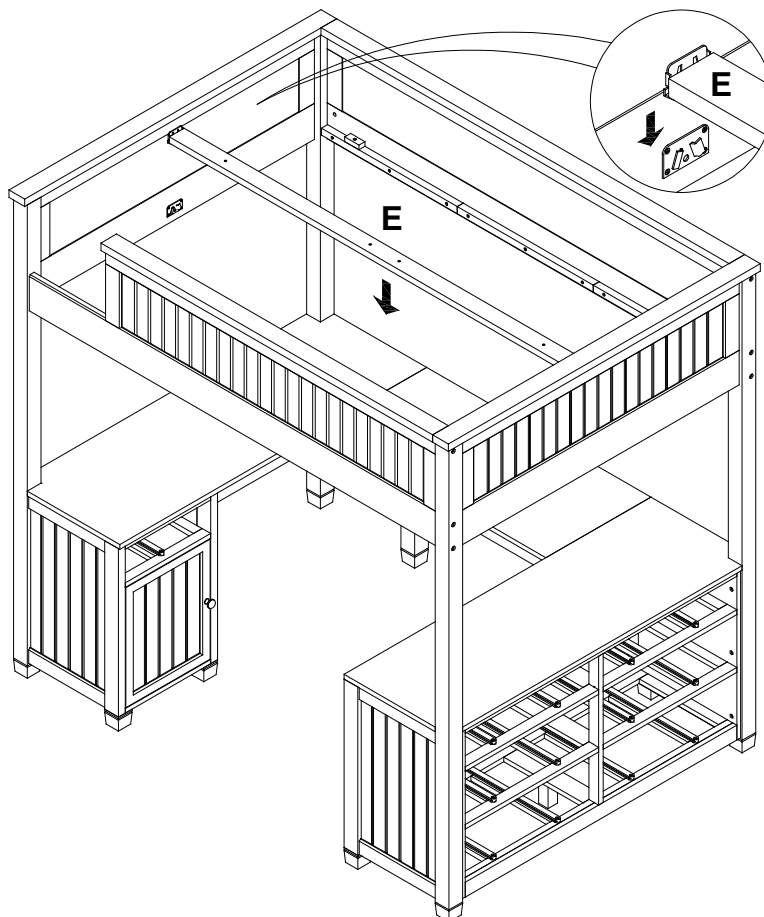


31. Insert (3) Small Bolts (U) each with a Small Spring Washer (W) and a Small Flat Washer (X) from the interior of the Nightstand (K) into the metal inserts located on Footboard (A) post.
32. Secure with Allen Key (O).

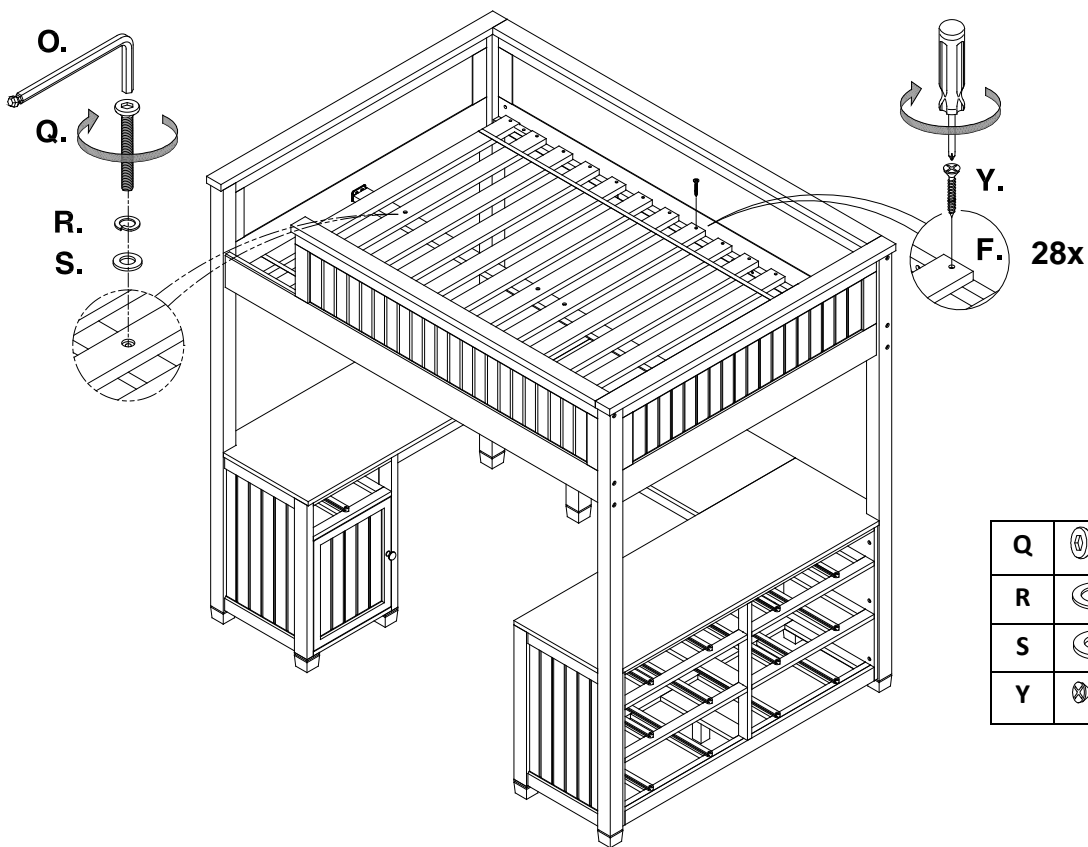


U		3x
W		3x
X		3x

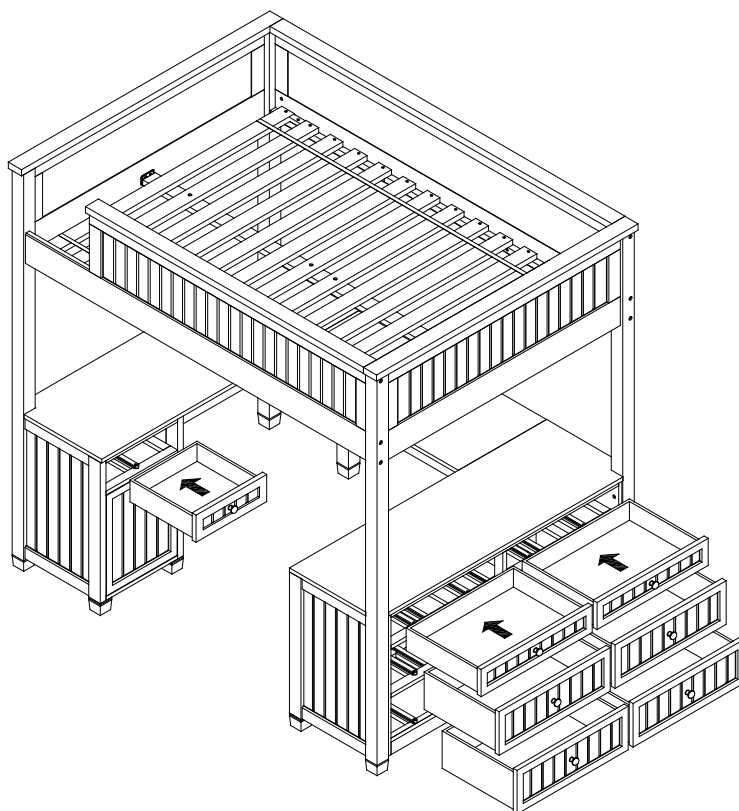
33. Attach Support Rail (E) to the assembled bed frame by aligning the metal brackets located on the two ends of the Support Rail (E), to the metal brackets located on the Headboard (B) and Footboard (A).
34. Press firmly to ensure that the Support Rails sit well in the bed.



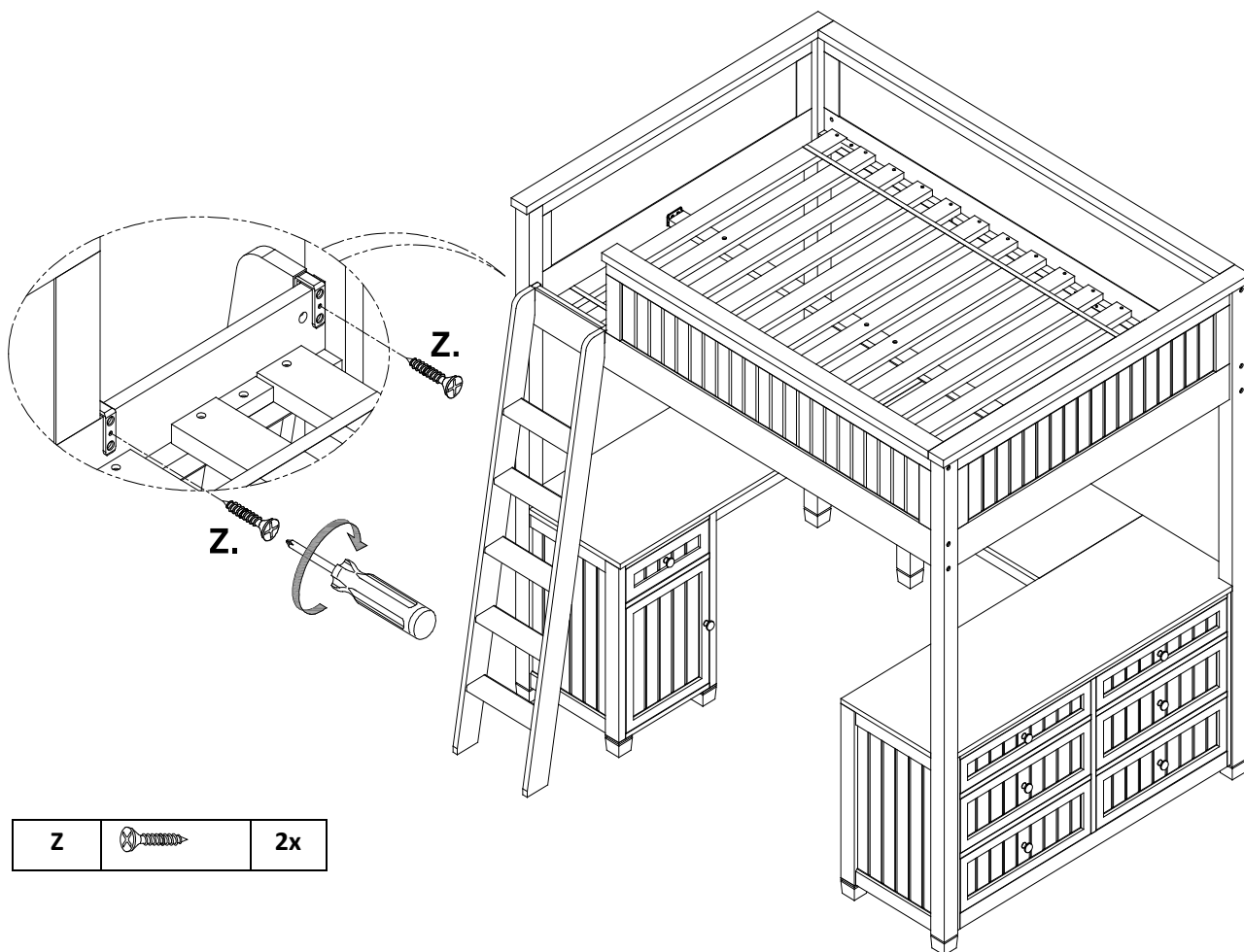
35. Extend Slat Roll (F) onto the bed frame.
36. Insert (4) Large Bolts (Q) each with a Large Spring Washer (R) and a Large Flat Washer (S) from the pre-drilled holes on the center of the bed slats into the metal inserts pre-installed on Support Rail (E).
37. Insert (28) Long Screws (Y) to secure the bed slats to the guardrails using a Philips Head Screw Driver, as shown in the illustration below.



38. Place the drawer boxes back to the Nightstand (K) and Dresser (L).



39. Attach the Ladder (G) to the opening of the Short Guardrail. Make sure that the pre-installed hooks on the ladder sit well on the opening of the Short Guardrail.
40. Insert (2) Short Screws (Z) to secure the ladder and tighten using a Philips Head Screwdriver.
41. Check alignments and tighten all bolts before use.



Care Instructions:

- Dust often using a clean, soft, dry, and lint-free cloth.
- Blot spills immediately and wipe with a clean, damp cloth.
- We do not recommend the use of chemical cleansers, abrasives, or furniture polish on our lacquered finish.
- Hardware may loosen over time. Periodically check to make sure all connections are tight.
Re-tighten if necessary.