



Store – it Bed Full

Pre-Assembly:

- Please read all instructions before beginning assembly.
- Two-person is recommended during assembly.
- Remove all parts and hardware from box and lay out on a carpeted or scratch-free work surface, as this will avoid damaging any part during assembly. The shipping box provides an ideal work surface.
- Save all packing materials until assembly is complete to avoid accidentally discarding smaller parts or hardware.

Parts Included:

Carton 1 (Sold Separately):

(A) Headboard – 1 pc	(B) Footboard – 1 pc	(C) Center Board – 5 pcs

Carton 2 (Sold separately):

(D) Left Side – 1 pc

Carton 3 (Sold separately):

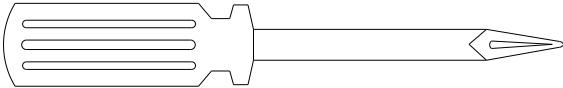
(E) Right Side – 1 pc

Hardware Enclosed: (Packed in Carton 1)

(F) Flat Washer – 12 pcs	(G) Lock Washer – 12 Pcs	(H) Allen Bolts – 12 Pcs (M6 x 30 mm)	(I) Allen Key – 1 Pcs
(J) Wood Screw – 20 Pcs (ø6 x 7/8")	(K) Wood Dowels – 8 pcs (ø8 x 20 mm)		

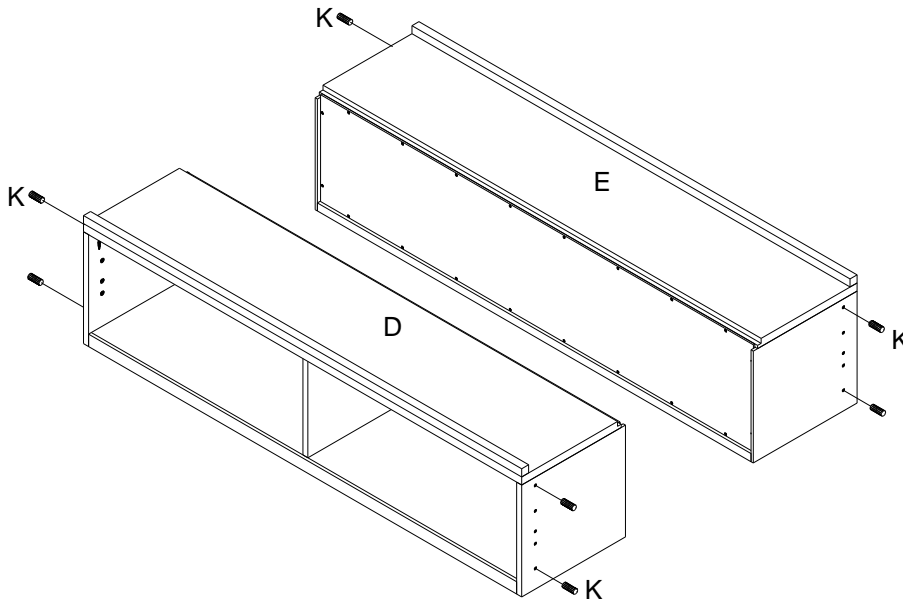
Tools Required:

Phillips head screwdriver (Not included)

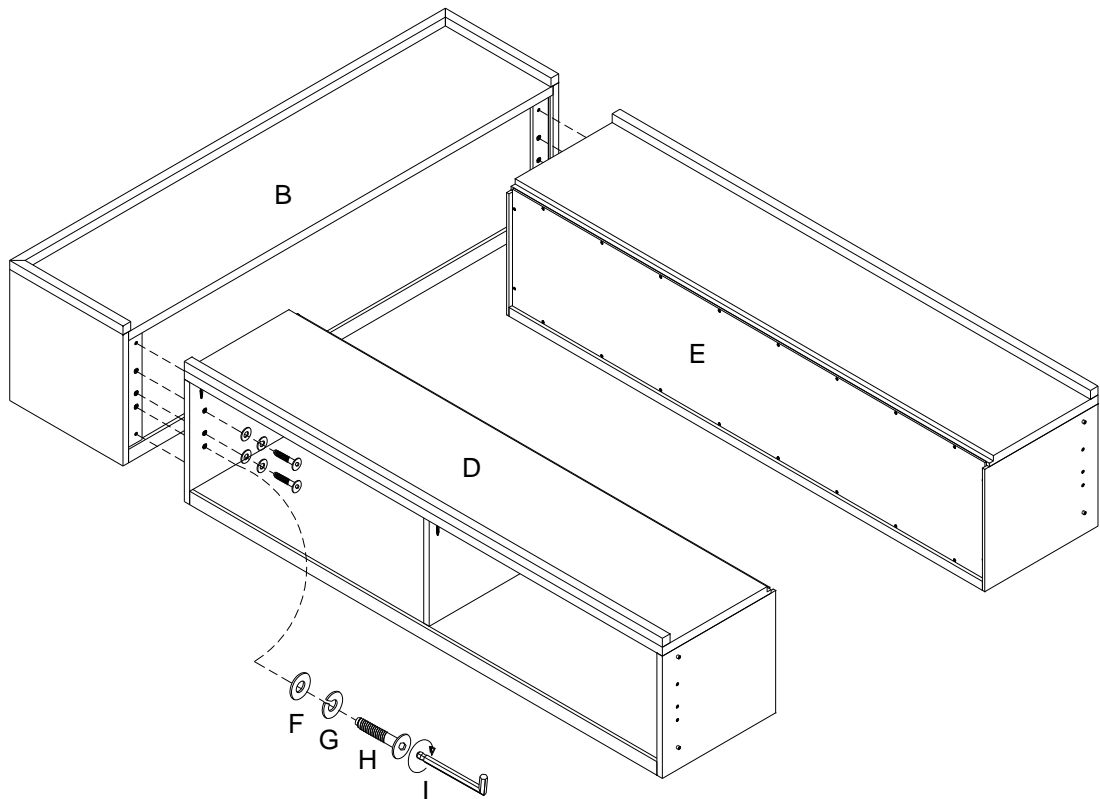


Assembly Instructions:

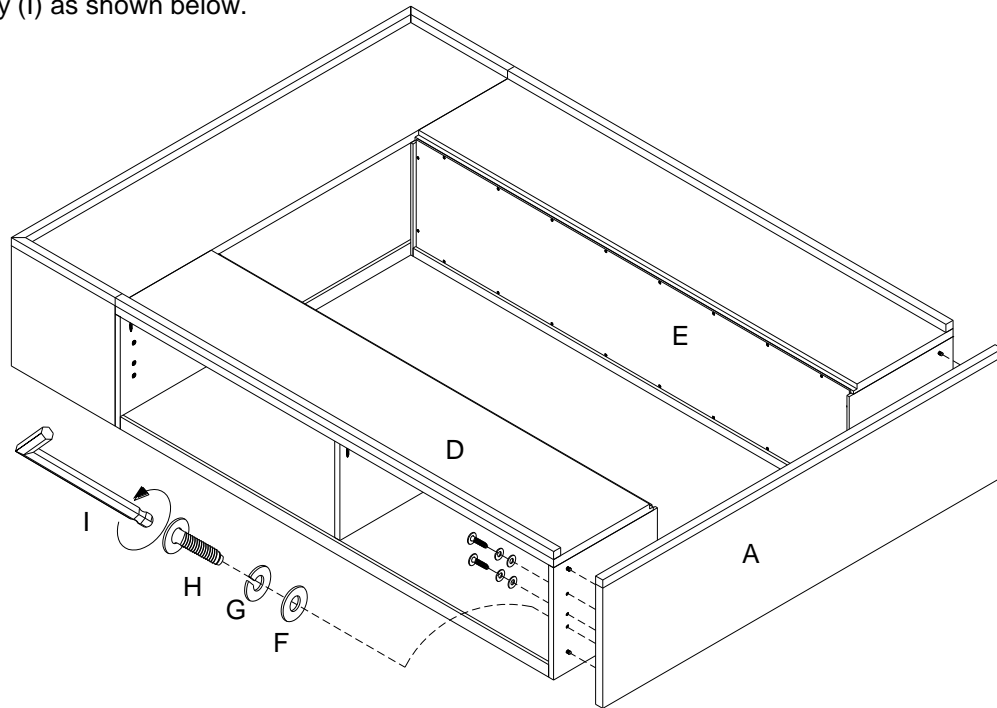
1. Insert Wood Dowels (K) into pre-drilled holes at the ends of Left Side (D) as shown. Ensure half length of the dowels go into the holes. Repeat at Right Side (E)



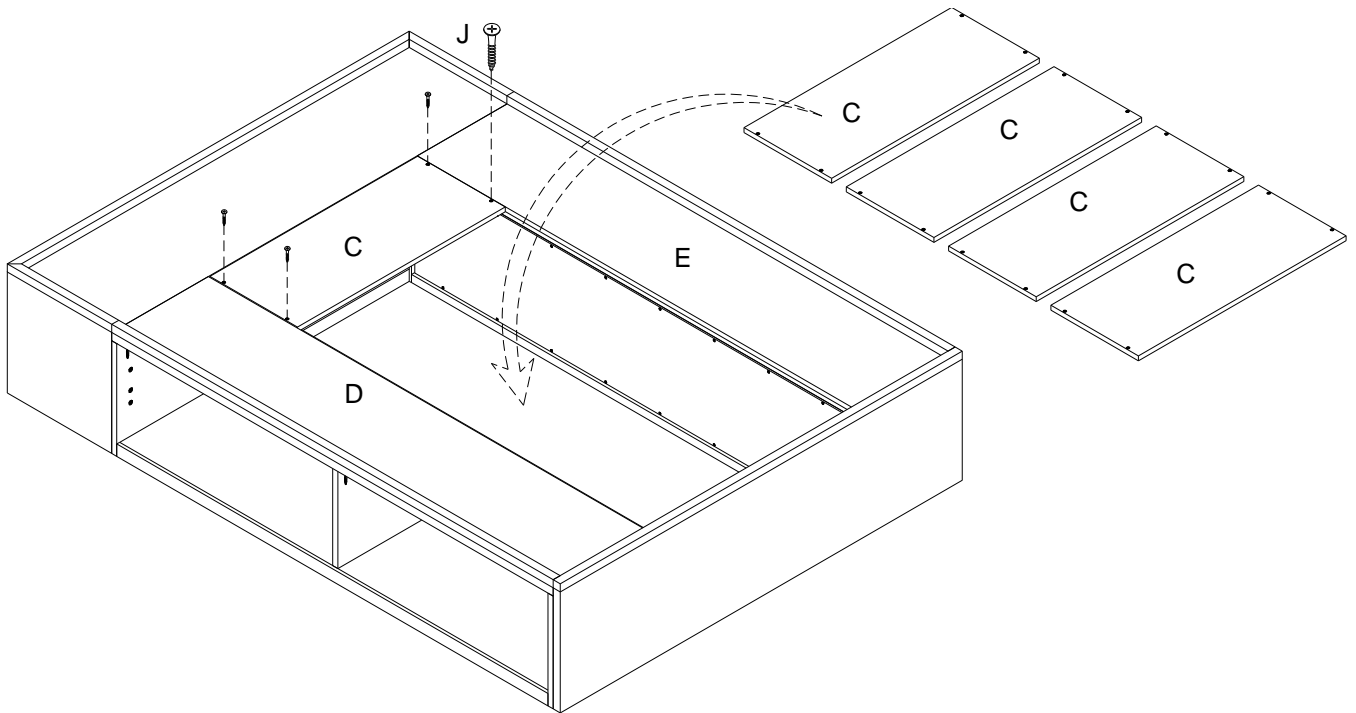
2. Attach Footboard (B) to Left Side (D) and Right Side (E) by aligning Dowels (K) with pre-drilled holes at the back of Footboard (B), Secure Side Parts and Footboard (B) with flat washer (F), Lock Washer (G) and Allen Bolts (H) by Allen Key (I) as shown below.



3. Attach Headboard (A) to Left Side (D) and Right Side (E) by aligning Dowels (K) with pre-drilled holes at the back of Headboard (A), Secure Side Parts and Headboard (A) with flat washer (F), Lock Washer (G) and Allen Bolts (H) by Allen Key (I) as shown below.



4. Slowly Place Center Boards (C) on the top ledges of Left Side (D) and Right Side (E). Secure with Screws (J) by a Philip head screwdriver.



Assembly is completed.

Care Instructions:

- Avoid direct sunlight and excessive temperatures
- Dust often using a clean, soft, dry and lint-free cloth.
- To clean, slightly moisten cloth with water. (a damp cloth holds dust and prevent scratching).