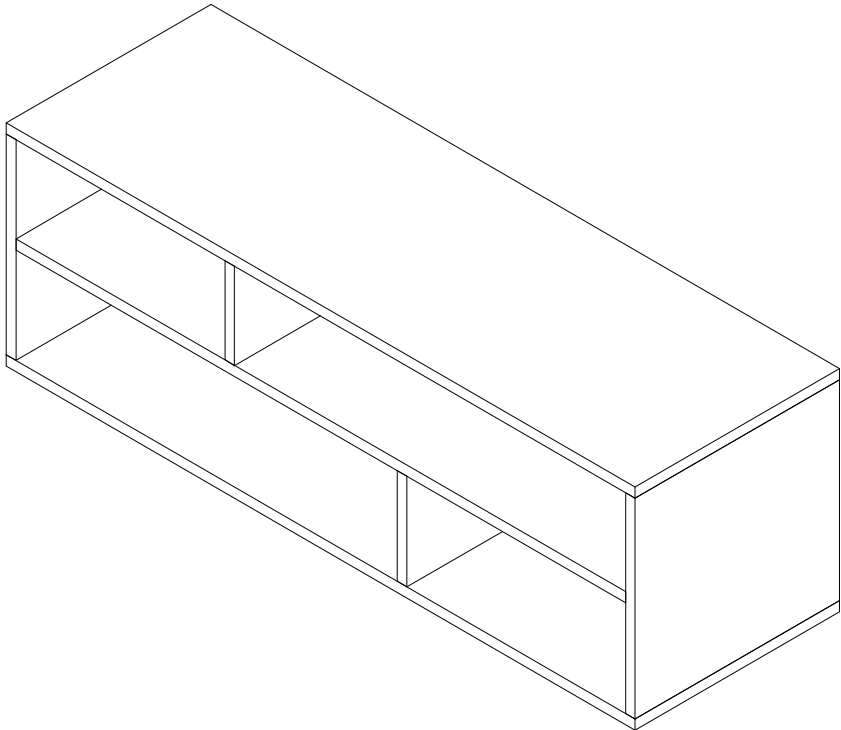


STACK ME UP MEDIA STAND

ASSEMBLY INSTRUCTIONS



Imported by / Importé par
PBteen
3250 Van Ness, San Francisco, CA 94109



WARNING

For use with televisions weighing 135 lbs/61.3 kg or less with a maximum width of 46 inches/116.8 cm which represents the overall width or inside dimension of the unit the TV will be placed on.

Attention: this unit is not rated for use with a CRT type television.



WARNING

Death or serious injury may occur when children climb on audio and/or video equipment furniture. A remote control or toys placed on the furnishing may encourage a child to climb on the furnishing and as a result the furnishing may tip over on to the child.



WARNING

Relocating audio and/or video equipment to furniture not specifically designed to support audio and/or video equipment may result in death or serious injury due to the furnishing collapsing or over turning onto a child.

All other support shelves should not be loaded more than 25 lbs/11.3 kg.

DO NOT EXCEED RECOMMENDED LOAD. Use with heavier televisions may result in instability causing tip over resulting in death or serious injury.

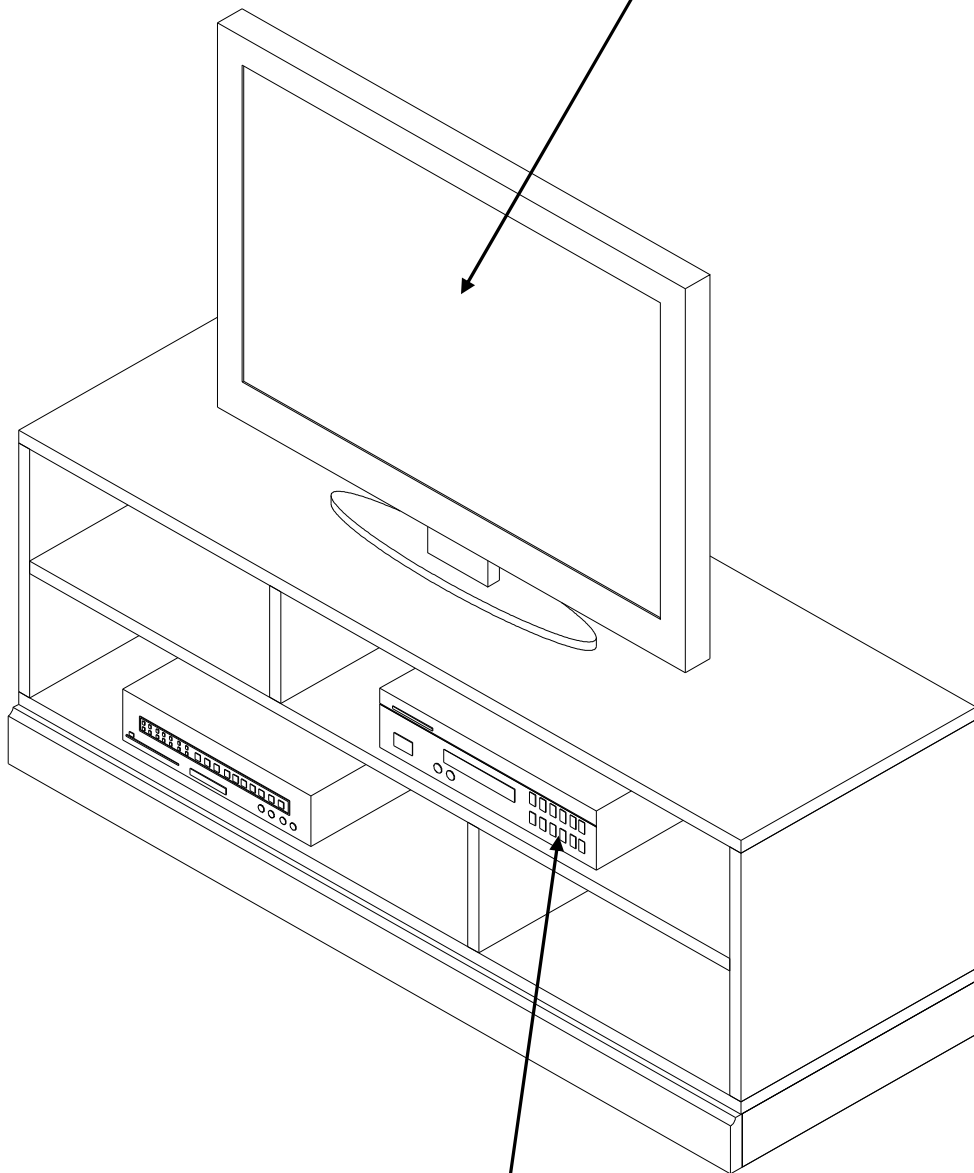
Please use caution when using electrical equipment. Improper use could result in the risk of fire, electric shock or injury to persons associated with the use of this unit during operation, user-maintenance, loading, storage, and, as applicable, electrical issues including grounding or double-insulation.

Electronic components generate heat that may cause damage to the equipment. Please refer to the manufacturer's owner's manual for space and ventilations requirements.

Do not allow children under 16 years to move cart.

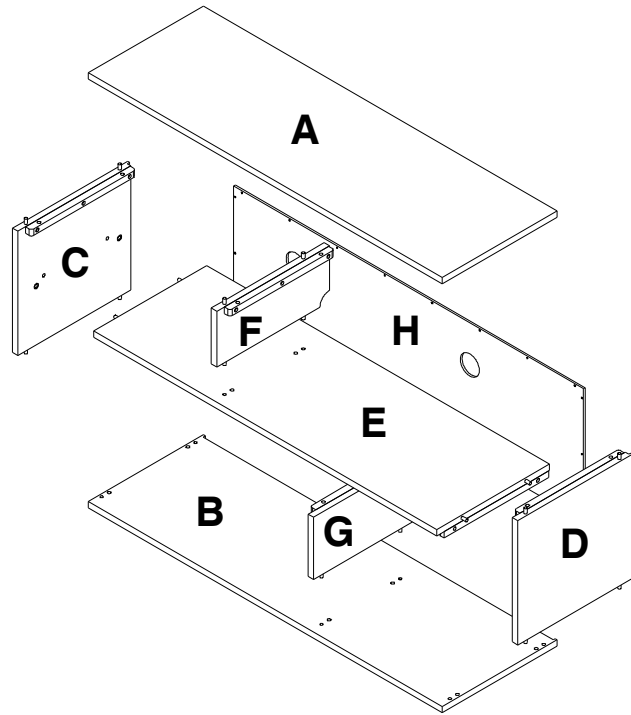
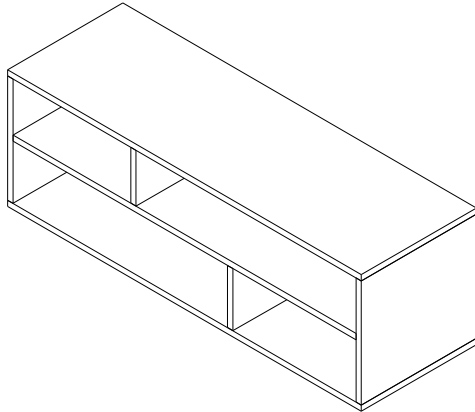
04-000077-3

For use with televisions weighing 135 lbs/61.3 kg or less with a maximum width of 46 inches/116.8 (cm)



Product weighing 25 lbs/11.3 kg maximum per shelf

STACK ME UP MEDIA STAND




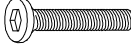



PARTS INCLUDED:

- (A) Top Panel – 1pc
- (B) Bottom Panel – 1pc
- (C) Left Panel – 1pc
- (D) Right Panel – 1pc
- (E) Long Shelf – 1pc
- (F) Short Divider – 1pc
- (G) Long Divider – 1pc
- (H) Back Panel – 1pc

TOOLS REQUIRED:

Philips Screwdriver (Not included)

HARDWARE LIST:

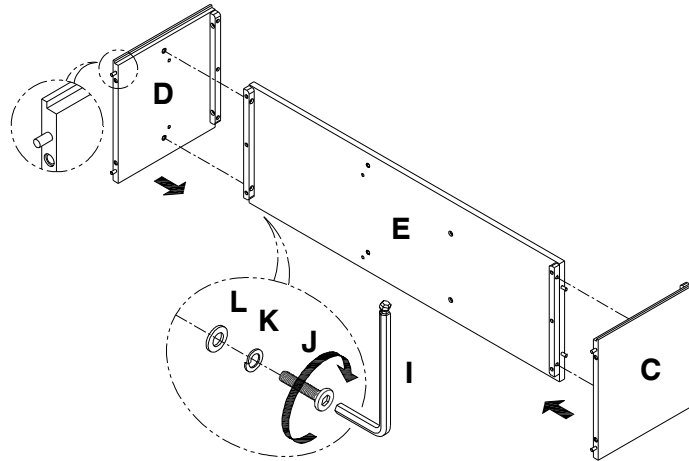
 (I) Allen Key – 1x	 (J) Bolt (1/4"x25mm) – 20x	 (K) Spring Washer (1/4") – 20x
 (L) Flat Washer (1/4") – 20x	 (M) Wood Screw (3.5x15mm) – 22x	

PRE-ASSEMBLY:

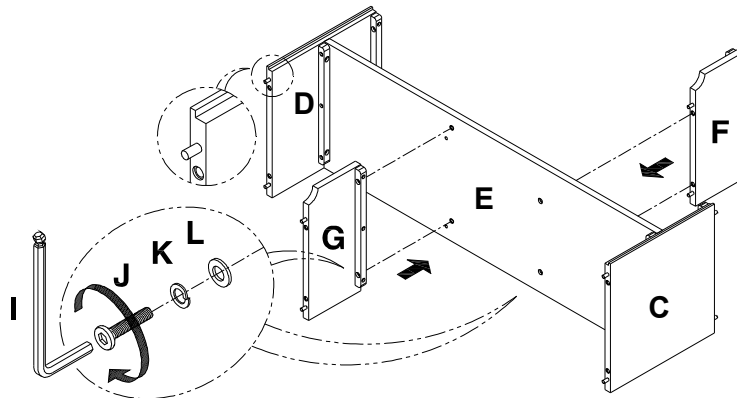
- For your safety and ease, assembly by two adults is recommended.
- Please read all instructions before beginning assembly. The illustrations provided allow for easier assembly when used in conjunction with the assembly instructions.
- Remove all parts and hardware from box and lay out on a carpeted or scratch-free work surface. The shipping box provides an ideal work surface. Do not dispose of any contents until assembly is completed to avoid accidentally discarding small parts or hardware.
- Use the parts and hardware lists to identify and separate each of the pieces included prior to starting assembly.
- Note: DO not fully tighten the bolts until all parts are in place. Failure to follow these instructions may cause the bolts to misalign during assembly.
- Do not use power drill as it may cause cracking.

ASSEMBLY INSTRUCTIONS:

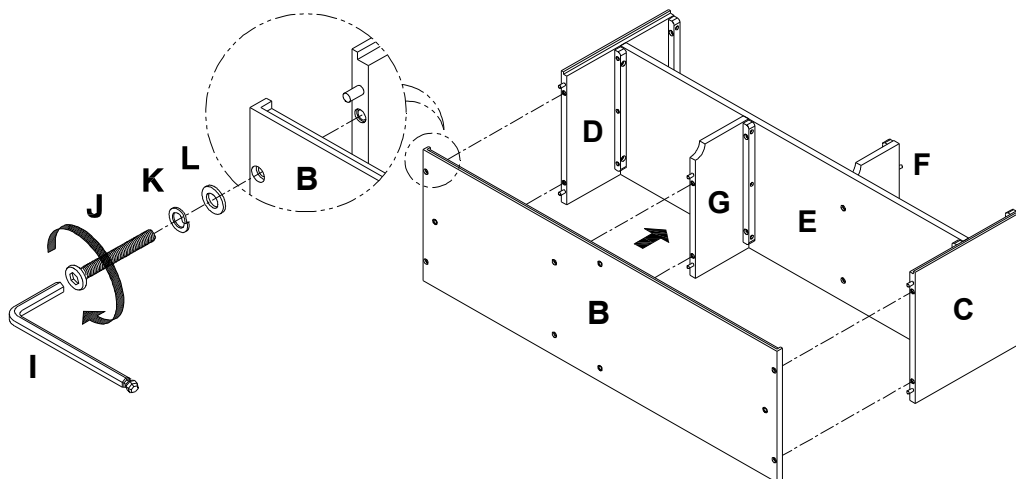
1. Connect Long Shelf (E) to Left Panel (C) and Right Panel (D) using the corresponding dowels and holes located on each part as shown below. Secure them by using (2x) Bolts (J) for the Left Panel (C) and (2x) Bolts (J) for the Right Panel (D) with Spring washers (K) and Flat washers (L). Tighten using Allen Key (I). Pay attention to the relative positions and directions of these parts, referring to the drawing below.



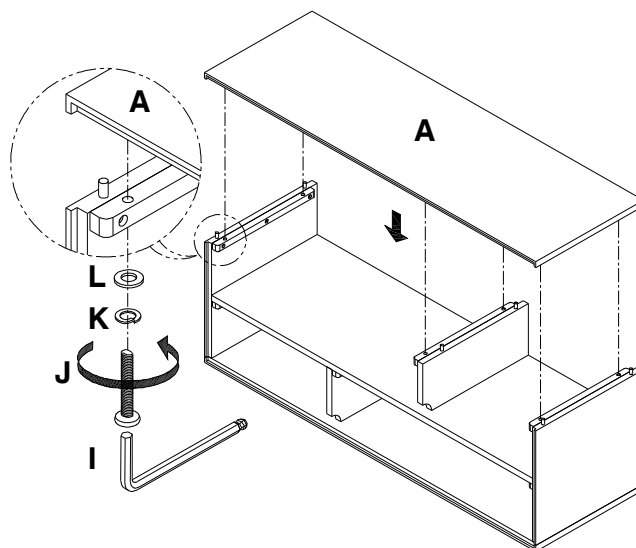
2. Connect Long Shelf (E) to Short Divider (F) and Long Divider (G) using the corresponding dowels and holes located on each part as shown below. Secure them by using (2x) Bolts (J) for the Short Divider (F) and (2x) Bolts (J) for the Long Divider (G) with Spring washers (K) and Flat washers (L). Tighten using Allen Key (I). Pay attention to the relative positions and directions of these parts, referring to the drawing below.



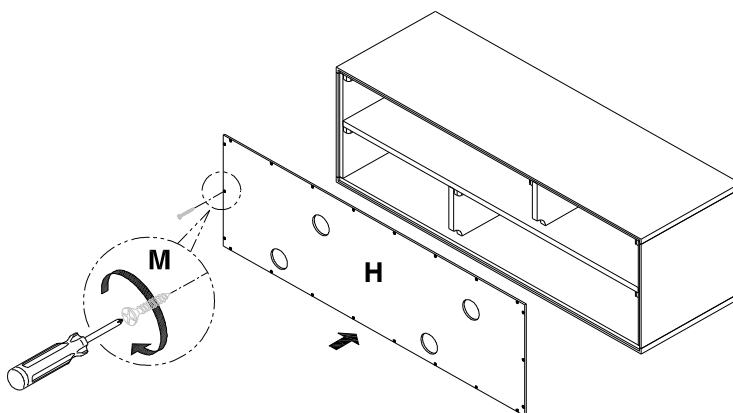
3. Fit Bottom Panel (B) to the parts already assembled in prior steps by aligning the corresponding dowels and hole locations from each part. Align and fit the Left Panel (C), Right Panel (D), and Long Divider (G) to Bottom Panel (B). Secure Bottom Panel (B) to Side Panel (C&D) and Long Divider (G) by using (6x) Bolts (J) with Spring washers (K) and Flat washers (L). Tighten using Allen Key (I). Make sure not to over tighten the bolts.



4. Turn the assembled piece upright as shown below. Fit and secure Top Panel (A) to the assembled parts by aligning the corresponding dowels and hole locations from each part and using (6x) Bolts (J) with washers (K&L). Tighten using Allen key (I). Make sure not to over tighten the bolts.



5. Attach Back Panel (H) to back edges of the media stand. Make sure holes on Back Panel (H) match corresponding pre-drilled holes on the back edge of the media stand. Secure Back Panel (H) to the media stand using (22x) Wood Screws (M).



CARE INSTRUCTIONS:

- Dust often using a clean, soft, dry lint-free cloth.
- Blot spills immediately, and wipe with a clean, damp, cloth.
- We do not recommend the use of chemical cleansers, abrasives, or furniture polish on our lacquered finish.