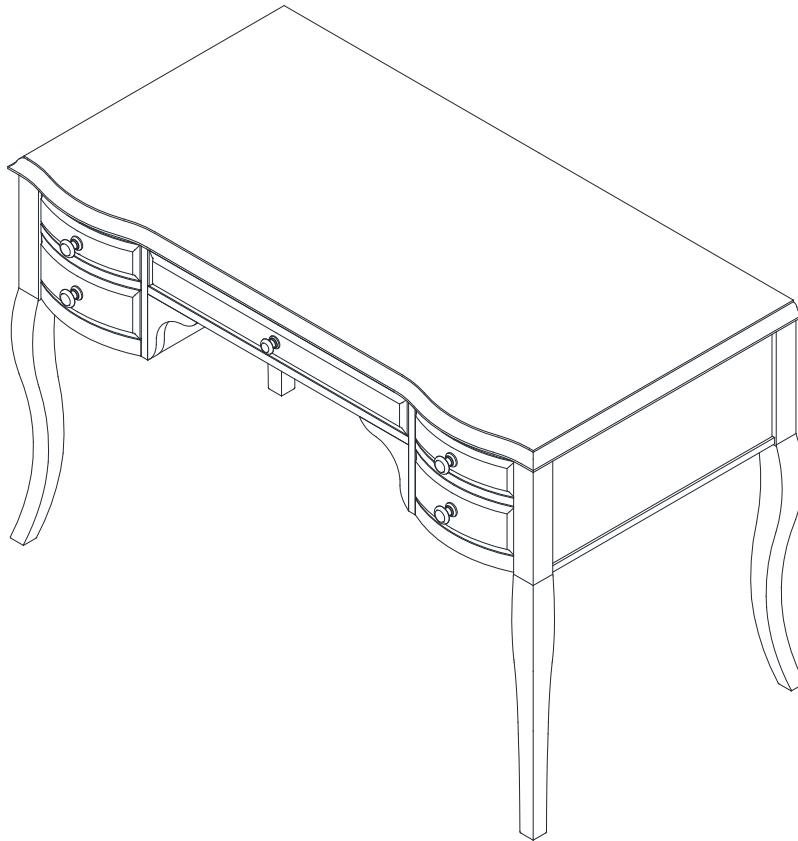




## LILAC DESK

### ASSEMBLY INSTRUCTIONS



**Important Safety Instructions:**

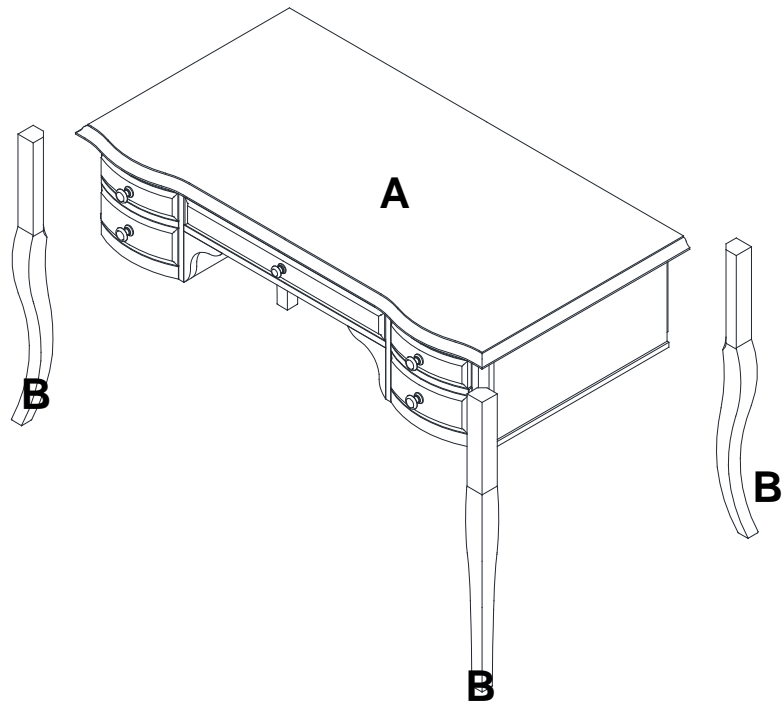
- Please read all instructions carefully before assembling.
- For your safety, assembly by two or more adults is strongly recommended.
- Keep instructions for future use.
- Use only vendor supplied hardware to assemble. Using unauthorized hardware could jeopardize the structural integrity of the item.

**Pre-assembly:**







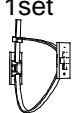
- Remove all parts and hardware from the box and lay out on a clear carpeted or scratch-free work surface, as this will avoid damaging parts during assembly. The shipping box provides an ideal work surface.
- Do not dispose of any packaging or contents of the shipping carton until assembly is completed to avoid accidentally discarding small parts or hardware.
- Use the parts and hardware lists below to identify and separate each of the pieces included.
- The illustrations provided allow for easier assembly when used in conjunction with the assembly instructions.
- The use of power tools to aid in assembly is not recommended. Power tools can damage hardware and split wood.

**Parts Included:**

- (A) Top frame - 1 pc
- (B) Leg - 4 pcs

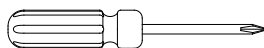


**Hardware Included:**

<p>(C) Small Knob with screw - 1x</p> 	<p>(D) Large Knob with screw - 4x</p> 	<p>(E) Allen head bolt M8x50mm - 12x</p> 	<p>(F) Lock washer - 12x</p> 
<p>(G) Flat washer - 12x</p> 	<p>(H) Allen key 5mm - 1x</p> 	<p>(I) Tipping-Restraint Kits - 1set</p> 	

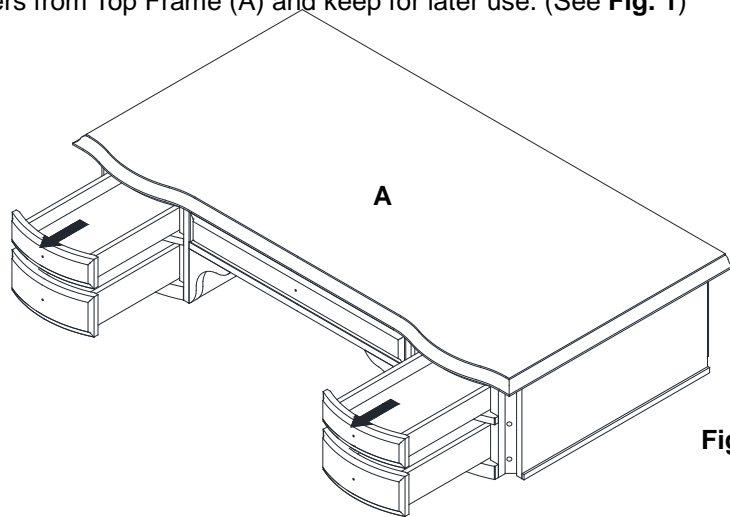
**TOOLS REQUIRED (but not included):**

Phillips Head Screwdriver



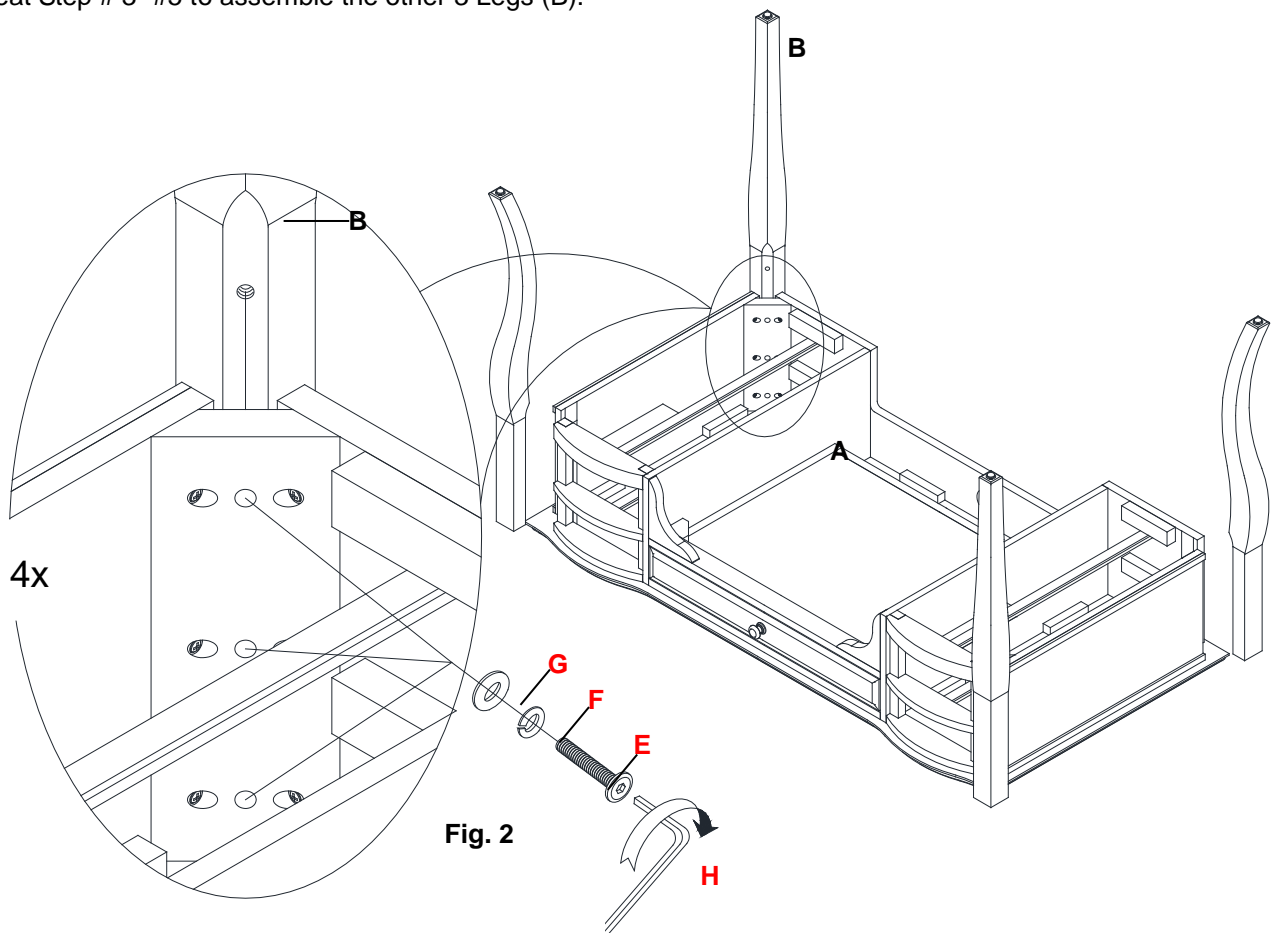
**Assembly Instruction Steps:**

1. Remove side drawers from Top Frame (A) and keep for later use. (See Fig. 1)

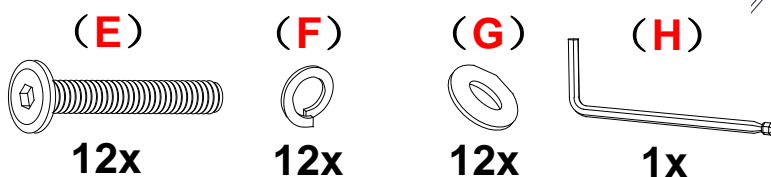


**Fig. 1**

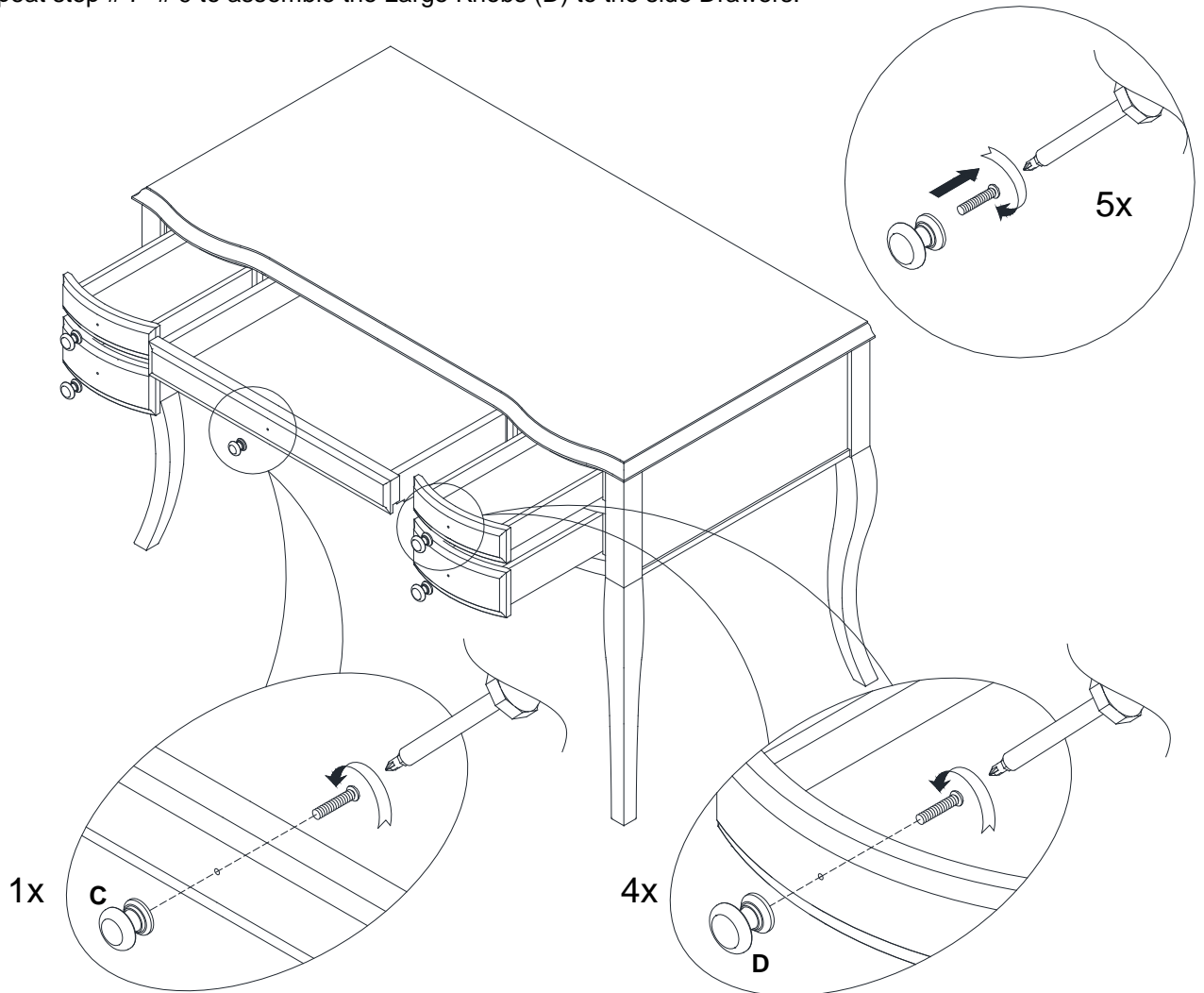
2. Lay the Top frame (A) upside down on the carpet or foam in shipping.
3. Attach a Leg (B) to the corner block, make sure the pre-drilled holes of the corner block and Leg (B) are aligned.
4. Insert 3 sets of Allen head bolt (E), Lock washer (F) and Flat washer (G) through the pre-drilled holes on the corner block to the metal inserts on the Leg (B).
5. Tighten all bolts with Allen key (H) but do not over-tighten, as seen in the **Figure 2**.
6. Repeat Step # 3- #5 to assemble the other 3 Legs (B).



**Fig. 2**

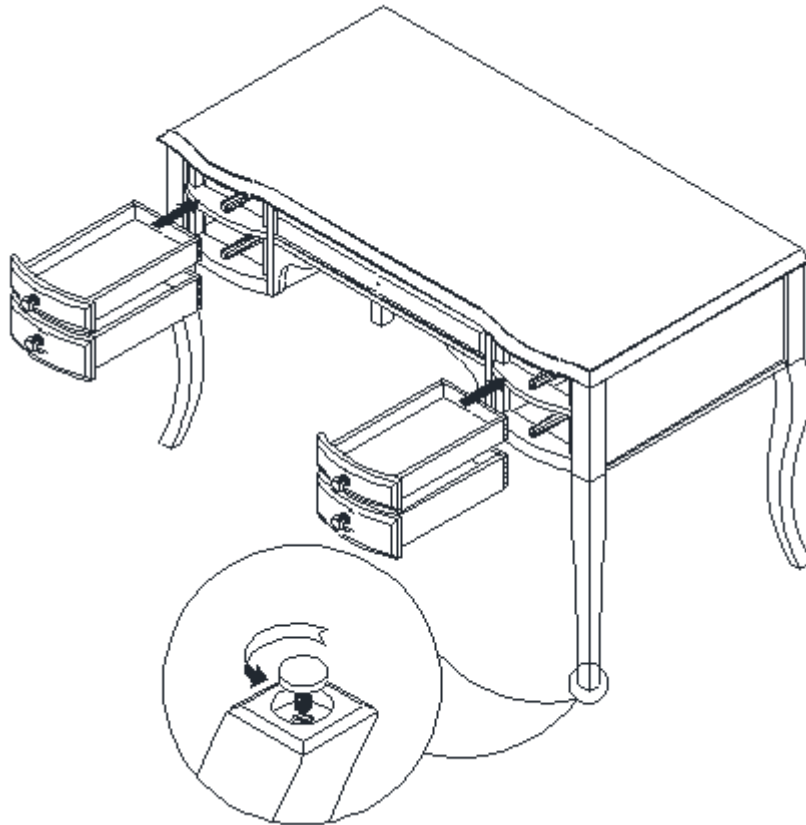


7. Remove the Screws pre-attached from the small Knobs (C).
8. From inside the Middle drawer, insert the Screw (from step # 7) through the pre-drilled hole of the drawer front. Then attach the Small Knob (C) to the protruding screw from outside the Drawer front, as seen in the illustration below.
9. Tighten the screws with Phillips Head Screwdriver (not provided), but do not over tighten.
10. Repeat step # 7- # 9 to assemble the Large Knobs (D) to the side Drawers.

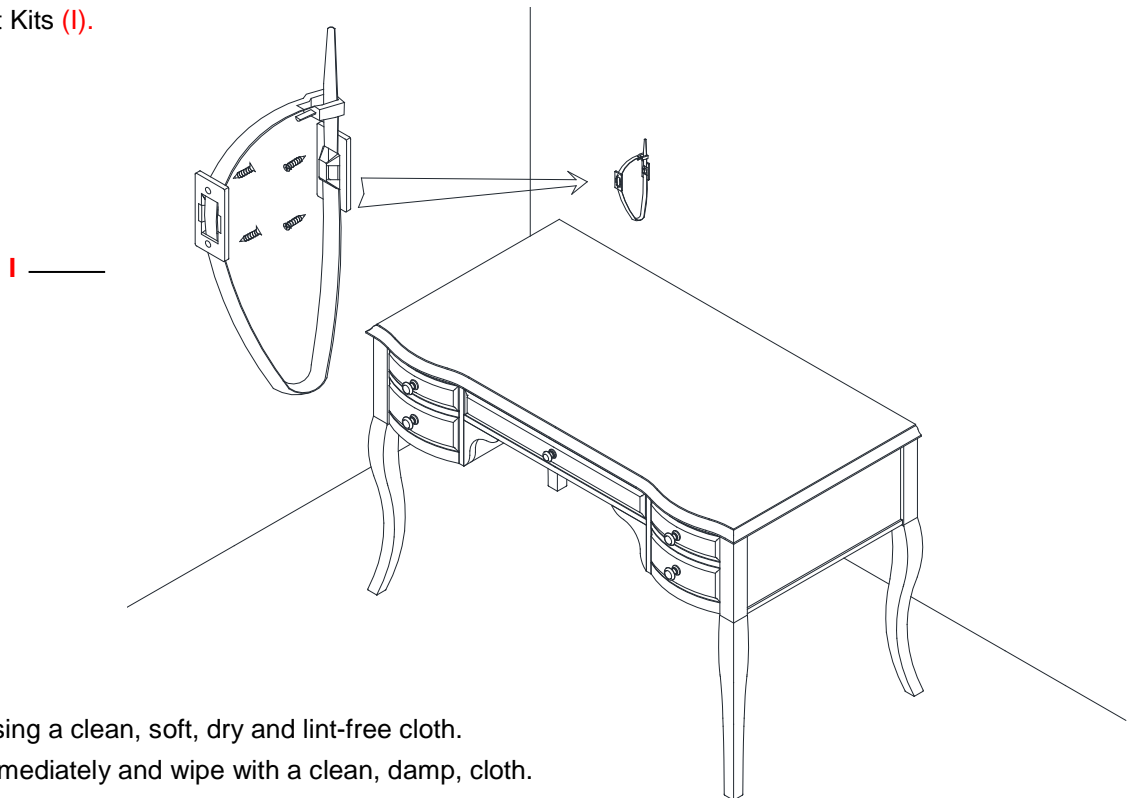


11. Slowly turn the Desk upright and place the drawers back into the desk.

12. If the desk doesn't sit level, adjust the levelers under legs to keep the desk level.



13. As a safety precaution, please follow the separate instruction enclosed to secure the Lilac Desk to the wall using Tipping-Restraint Kits (I).



**Care Instructions:**

- Dust often using a clean, soft, dry and lint-free cloth.
- Blot spills immediately and wipe with a clean, damp, cloth.
- We do not recommend the use of chemical cleansers, abrasives or furniture polish on our lacquered finish.
- Hardware may loosen over time. Periodically check to make sure all connections are tight.  
Re-tighten if necessary.