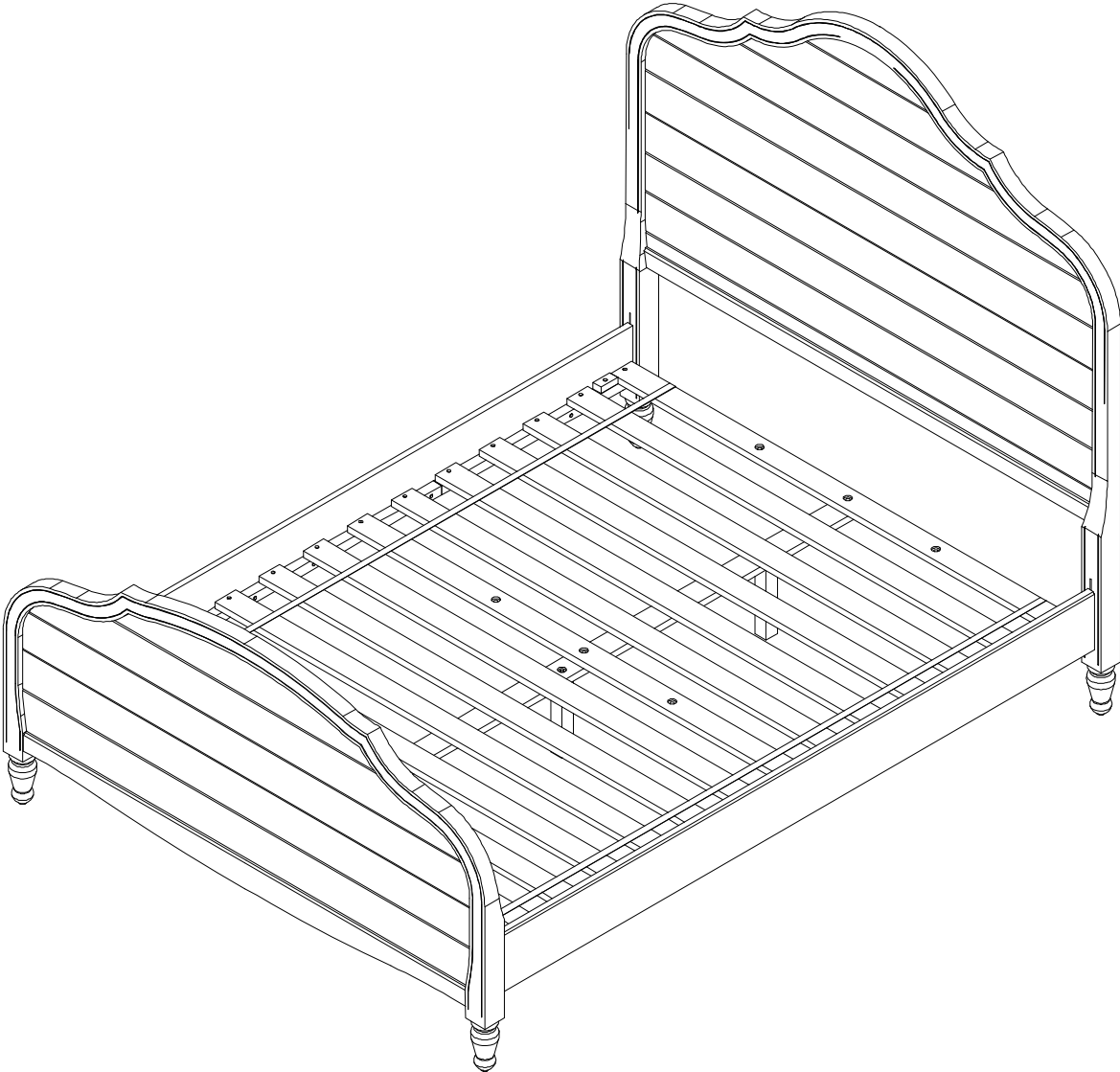




GENEVIEVE BED QUEEN

ASSEMBLY INSTRUCTIONS



Important Safety Instructions:

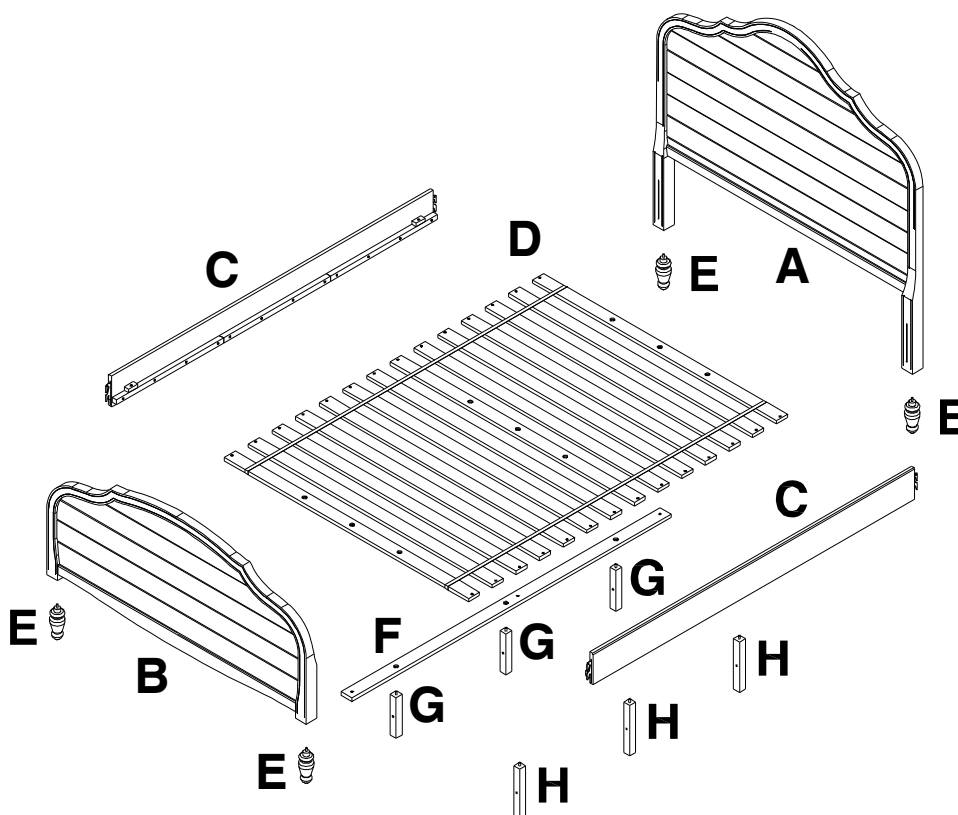
- Please read all instructions carefully before assembling this furniture.
- For your safety, assembly by two or more adults is strongly recommended.
- Keep these instructions for future use.
- Use only vendor-supplied hardware to assemble this item. Using unauthorized hardware could jeopardize the structural integrity of the item.

Pre-assembly:


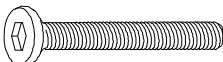
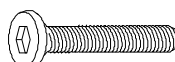



- Remove all parts and hardware from the box. Place them on a carpeted or scratch-free work surface, as this will avoid damaging parts during assembly. The shipping box provides an ideal work surface.
- To avoid accidentally discarding small parts or hardware, do not dispose of any packaging or contents of the shipping carton until assembly is complete.
- Use the parts and hardware lists below to identify, and separate each of the pieces included.
- The illustrations provided allow for easier assembly when used in conjunction with the assembly instructions.
- The use of power tools to aid in assembly is not recommended. Power tools can damage the hardware and split the wood.

Parts Included:

- (A) Headboard (1x)
- (B) Footboard (1x)
- (C) Side Rail (2x)
- (D) Slat Roll (1x)
- (E) Bun Foot (4x)
- (F) Support Rail (1x)
- (G) Short Support Leg (3x)
- (H) Long Support Leg (3x)



Hardware Included:

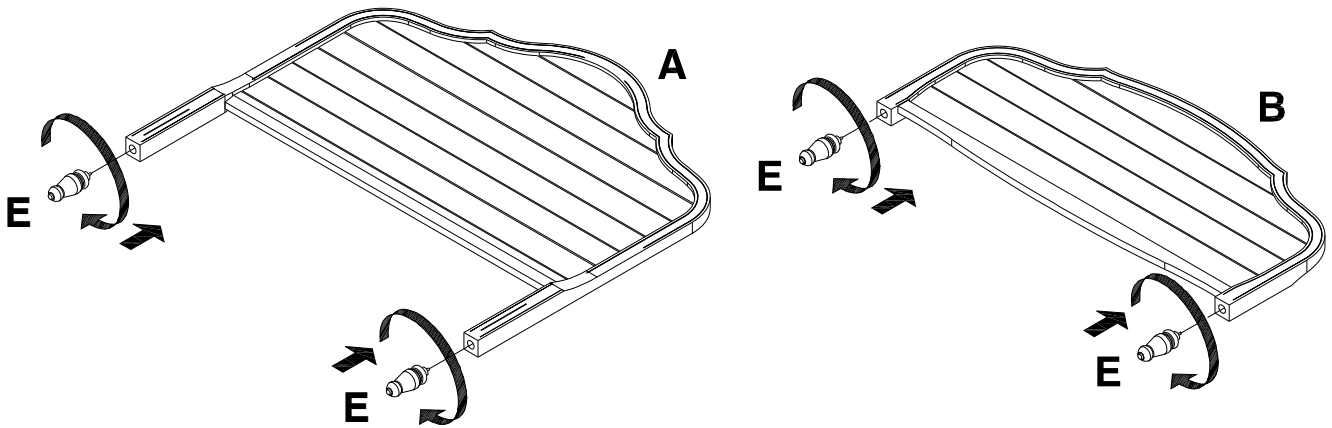
 (I) Allen Key – 1x	 (J) Boulon long 5/16"x51mm – 3x	 (K) Short Bolt 5/16"x 32mm – 3x
 (L) Spring Washer 5/16" – 3x	 (M) Flat Washer 5/16" – 3x	 (N) Wood Screw 4x30mm – 28x

Tools Required:

Philips Head Screw Driver  (not included)

Assembly Instruction Steps:

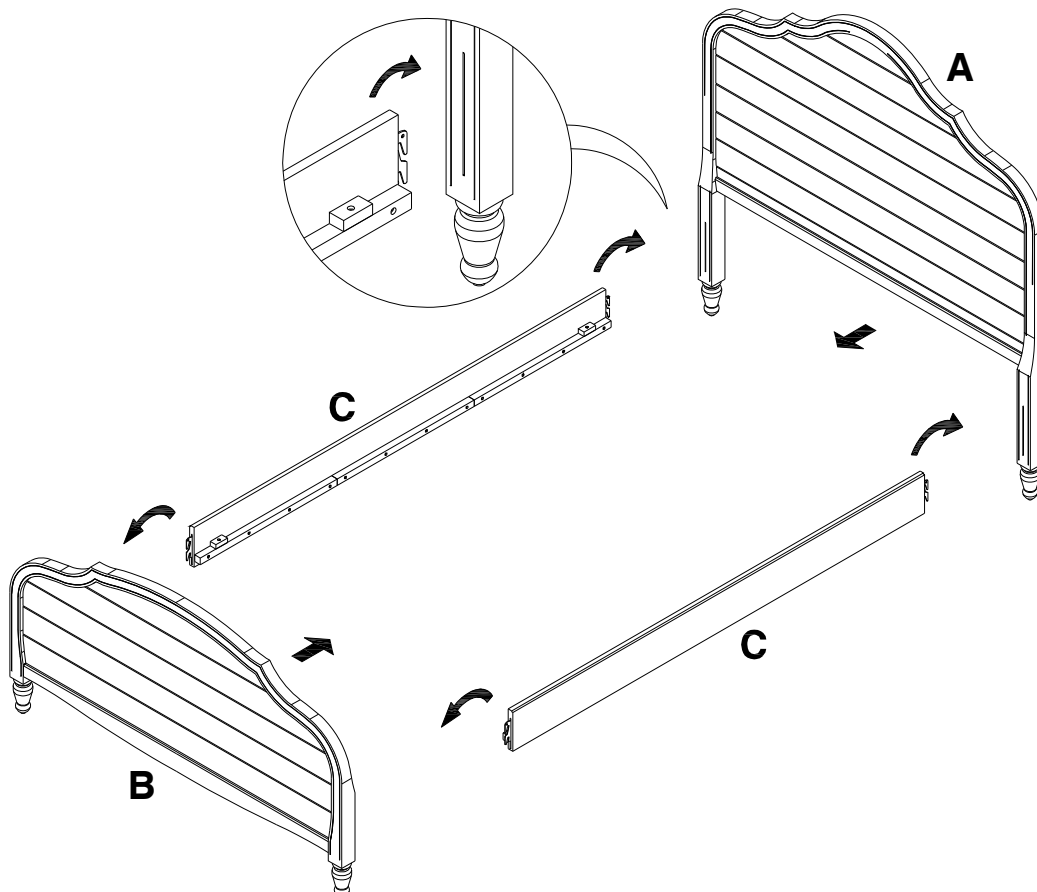
1. Align and thread (4) Bun Foot (E) into round cut-outs located on leg bottoms of Headboard (A) and Footboard (B). Do not over tighten.



2. Determine the desired location of the bed and then hold the assembled Headboard (A) in a vertical position-tilted slightly forward.
3. Attach each Side Rail (C) to the Left & Right Headboard Legs by inserting the hook (pre-attached at the ends of Side Rail) into the corresponding slots of the Left & Right Headboard Legs.
4. Push down firmly on the top of the Side Rails (C) until they sit themselves over the pins inside the leg slots, as shown in the illustration below. Be sure the small ledge on each Side Rail (C) is facing inward.




There are two levels for the Side Rails (C). If you plan to use a trundle, please use the higher setting.

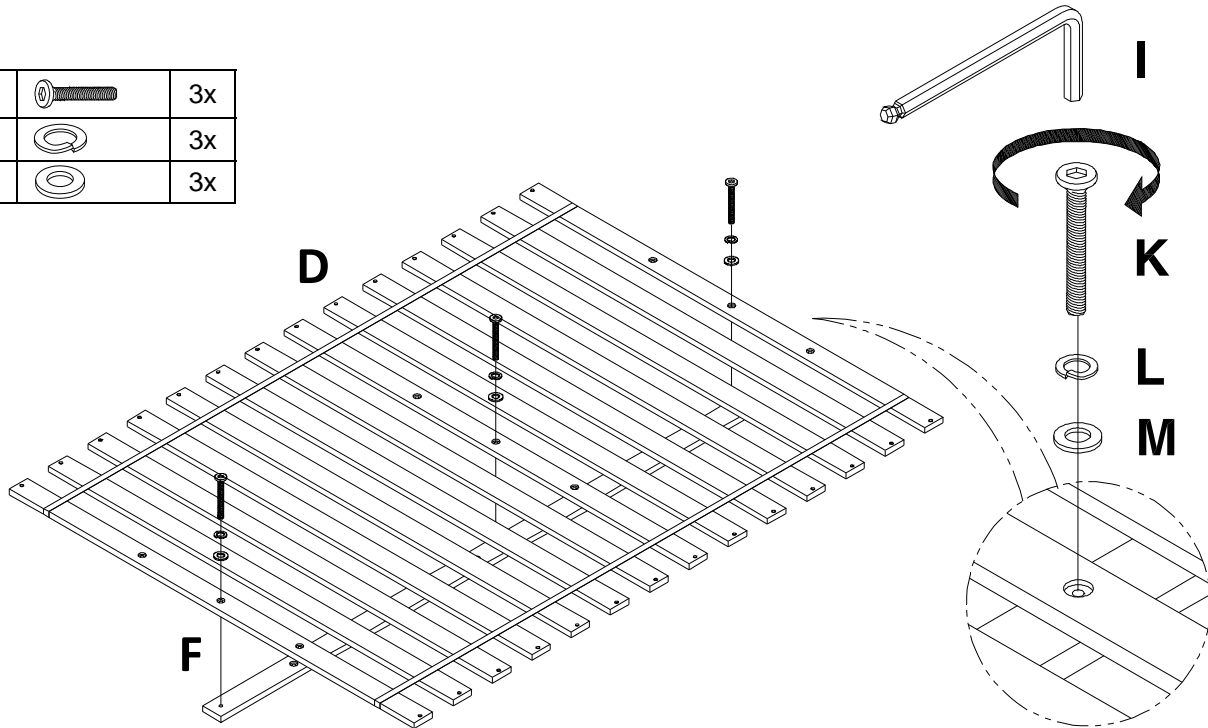
5. Repeat steps #3 and #4 to assemble the Footboard (B), as seen in the illustration below.



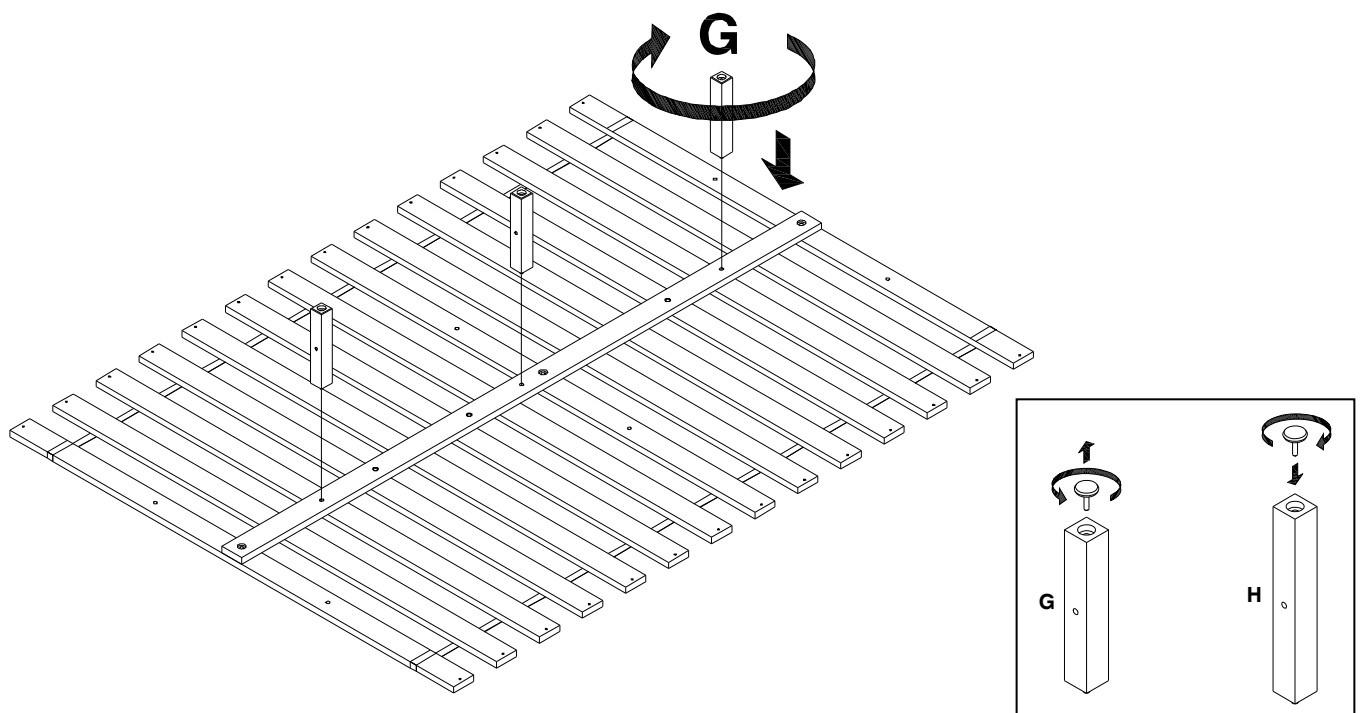
6. Place Slat Roll (D) on the Support Rail (F) with counter sunk holes facing up.

7. Connect the 1st slat to one end of the Support Rail (F) by inserting Short Bolt (K), Spring Washer (L), and Flat Washer (M) through the pre-drilled holes of the 1st slat and into the pre-fixed insert nuts of Support Rail (F), as seen in the illustration below.
8. Tighten with Allen Key (I).
9. Repeat steps # 7 and #8 at the other end and middle of the Support Rail (F).
10. **NOTE:** Three positions for Support Rail (F) are provided. The center position is used without a trundle. If using a trundle, please assemble Support Rail (F) to the pre-drilled holes on the opposite side of the bed where you desire trundle to be used. This provides enough room for trundle not to hit the Support Legs (G&H).

K		3x
L		3x
M		3x

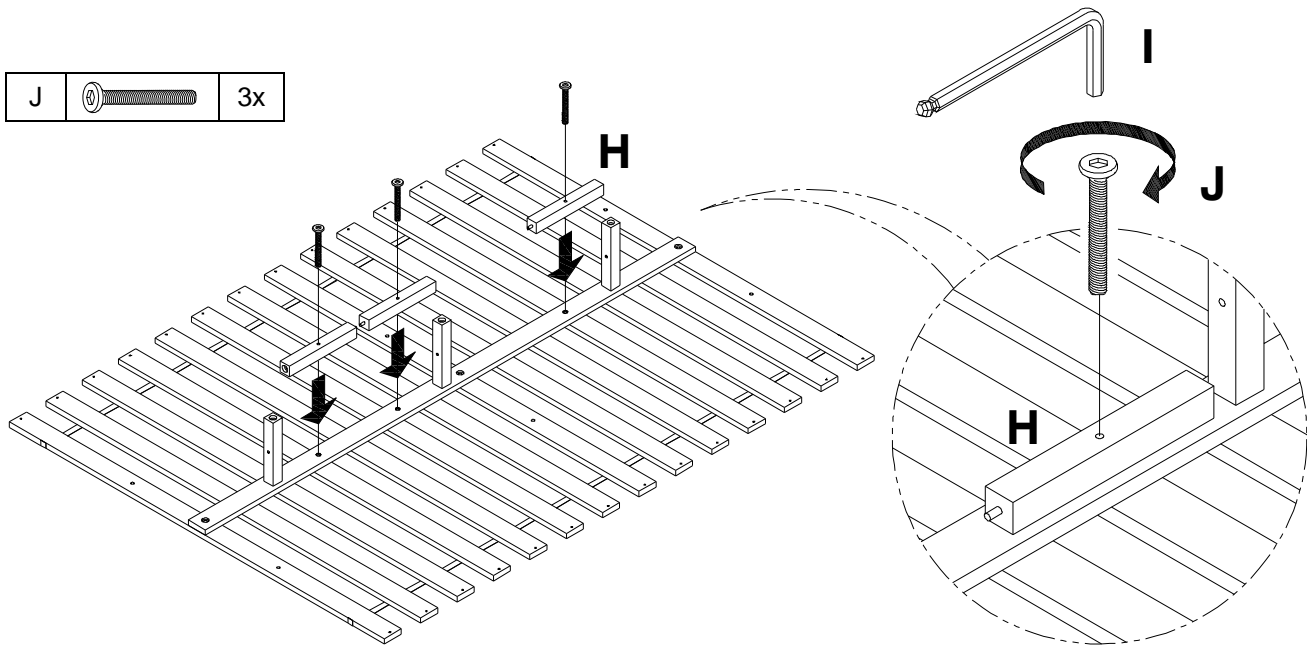


11. Turn the assembled slat roll to have the assembled Support Rail (F) facing up. Thread the 3 Short Support Legs (G) into the pre-fixed insert nuts of the Support Rail (F), as seen in the illustration below.
Note: When using with trundle, the Long Support Legs (H) are used. Then, unthread levellers from the Short Support Legs (G) for the Long Support Legs (H) use.



12. To store the Long Support Legs for future use, align and attached the Long Support Legs (H) to inserts located on the Support Rail (F) and insert 3 Long Bolts to secure, using Allen Key (I).

NOTE: When using a trundle, store the Short Support Legs here for future use.

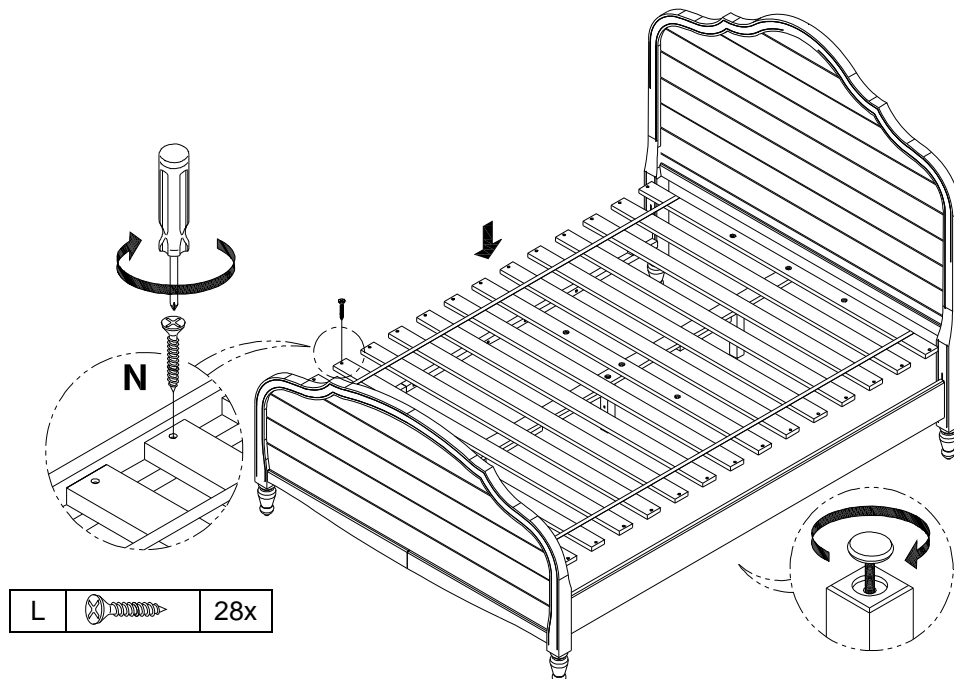


13. Lay the Slat Roll (D) with the assembled Support Rail (F) and Support Leg (G) in the bed.

14. Insert 28 Wood Screws (N) to secure the slats.

15. Tighten with a Phillips Head Screwdriver (not provided).

16. When needed, adjust the levelers located under the Support Legs (G) to keep the whole bed level.



Care Instructions:

- Dust often using a clean, soft, dry, and lint-free cloth.
- Blot spills immediately and wipe with a clean, damp cloth.
- We do not recommend the use of chemical cleansers, abrasives, or furniture polish on our lacquered finish.
- Hardware may loosen over time. Periodically check to make sure all connections are tight. Re-tighten if necessary.