

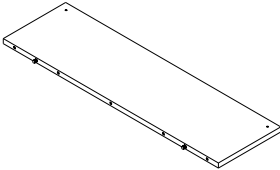
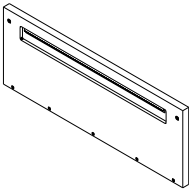


# Stuff-Your-Stuff Suspension Shelf (Full and Queen)

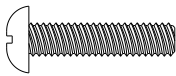

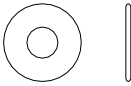
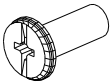
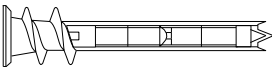
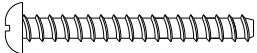
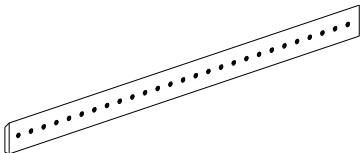
**Pre-Assembly:**

- Please read all instructions before beginning assembly.
- Save all packing materials until assembly is complete to avoid accidentally discarding smaller parts or hardware.

**Parts Included:**

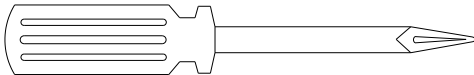
A – Bottom Panel – 2 Pcs	B – Back Panel – 2 Pcs
	

**Hardware Enclosed:**

C – Screw (M4x1 ¼") 10 Pcs	D - Wire Rod – 4 Pcs	E - Flat Washer (ø12xø1.5) – 8 Pcs	F - Pan-Head Nut – 8 Pcs
			
G – Toggle Anchor – 6 Pcs	H – Toggle Screw – 6 Pcs	I – Hanging Bar – 2 Pcs	
			

**Tools Required:**

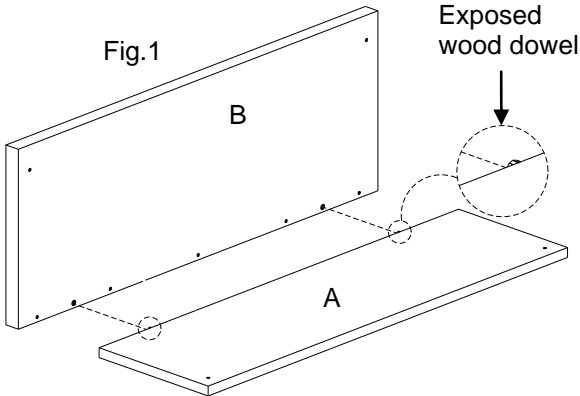
Phillips Head Screwdriver (not included)



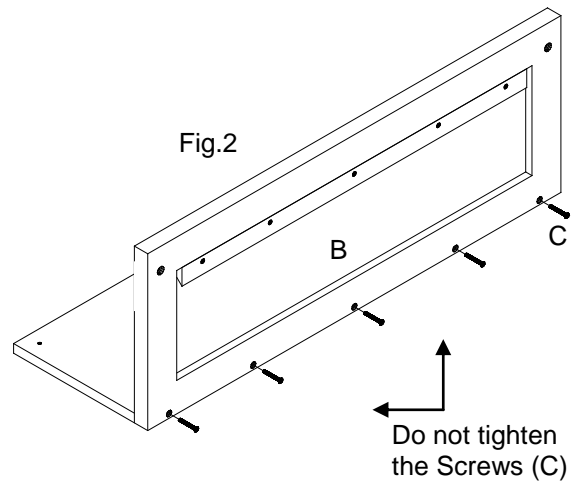
Do not use the power drill cause it may cause cracking

**Assembly Instructions:**

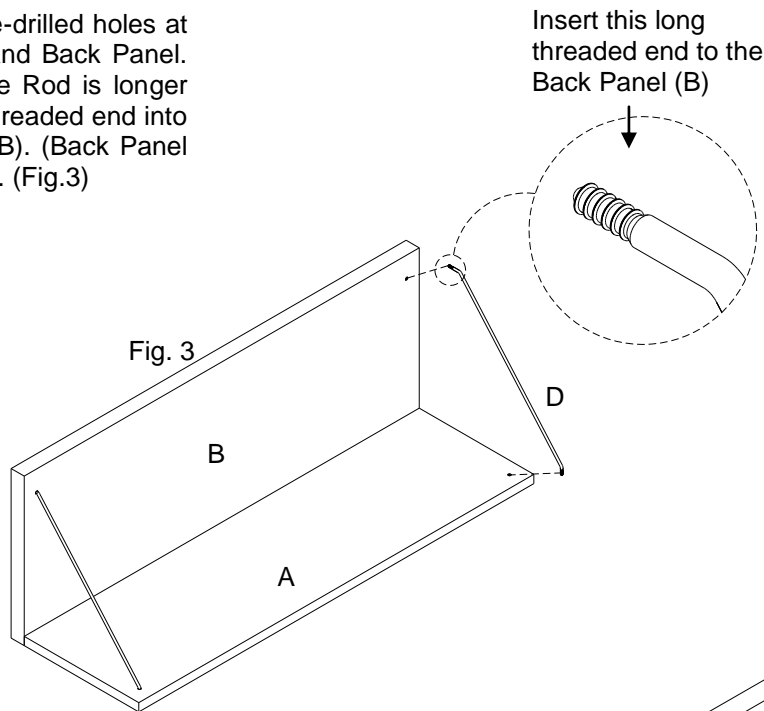
1. Attach the Bottom Panel (A) to Back Panel (B) by aligning the exposed wood dowels on Bottom Panel (A) with pre-drilled holes on front side of Back Panel (B). (Back side of this Back Panel (B) has an affixed product-mounting bracket). (Fig.1)



2. Insert the screws (C) into the pre-drilled holes on the Back Panel (B). Use Philips Head Screwdriver and turn clockwise, but do not tighten the Screws (C). (Fig.2)

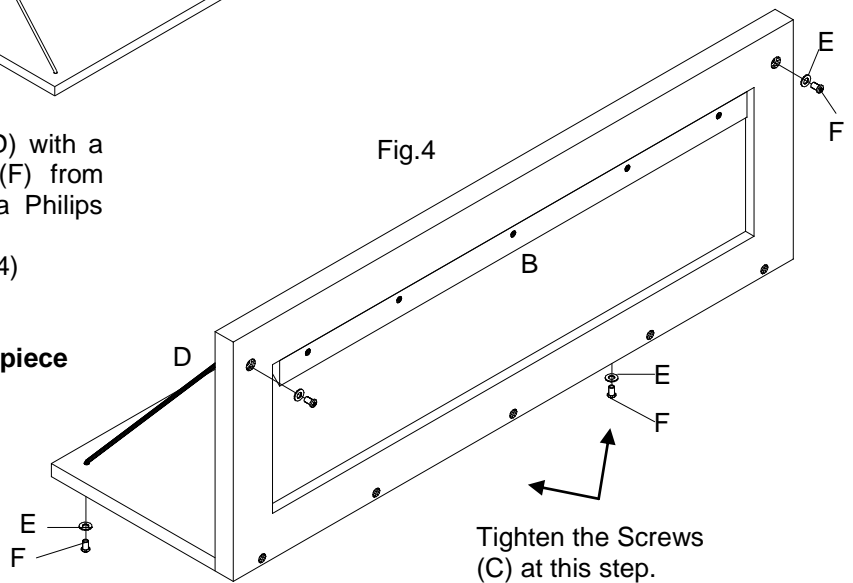


3. Insert the Wire Rods (D) into the pre-drilled holes at the sides of the Bottom Panel (A) and Back Panel. **Note:** one threaded end of the Wire Rod is longer than the other end. Insert this long threaded end into the pre-drilled hole on Back Panel (B). (Back Panel (B) is thicker than Bottom Panel (A) ). (Fig.3)



4. Secure the two ends of each Wire Rod (D) with a Flat Washer (E) and a Pan-Head Nut (F) from behind and under of the shelf by using a Philips Head Screwdriver. Continue tightening all the Screws (C). (Fig.4)

**Note :**  
**Repeat Steps 1 to 4 to assemble another piece using the same procedure.**



**Care Instructions:**

- Do not exceed the weight capacity of the shelf. Maximum weight capacity of the shelf is 50 lbs.
- Hardware may loosen over time. Periodically check to make sure all connections are tight. Re-tighten if necessary.
- Dust often with a soft, dry cloth.
- To clean, slightly moisten cloth with water. (a damp cloth holds dust and prevent scratching ; dry thoroughly).

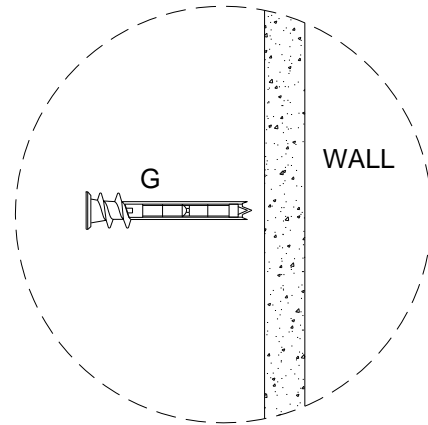
### Sample Mount Hardware Installation:

**Note: Toggle anchors and toggle screws are meant for dry wall only.**

1. Determine the desired location on the wall for the product. Place the Wall Mount Bracket (I) on the wall. Using the bubble level confirm that the brackets is level. Use a pencil to mark (3) wall mount bracket hole positions at left, center and right on the wall. This is where the toggle anchor hardware will be inserted.

**Do not attach Wall Mount Bracket at this stage.**

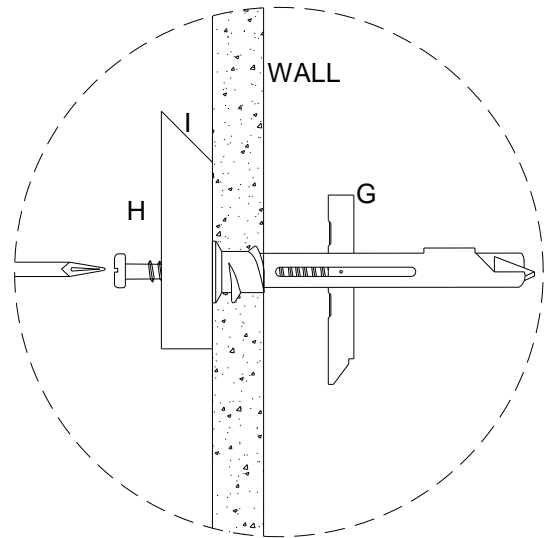
2. Use a Philips Head Screwdriver to install the Toggle Anchors (G). Do not use a drill to install the toggle anchors and do not force or "pound" the anchor into the wall. The Toggle anchor is designed to cleanly cut and bore itself into the wall like a drill bit.
3. Slowly turn the Toggle Anchors (G) clockwise while applying even pressure until the flange just touches the wall. If the anchor position is close to a stud (1/2" or less), keep turning clockwise until one of the arrows on the flange is pointing to the 12 o'clock position.



4. Insert the Toggle Screws (H) into the Toggle Anchors (G) and turn clockwise. Here, you will feel a slight resistance. This is the point where the toggle anchor screw is engaging the pivoting portion of the anchor. Continue turning the screw clockwise until the screw head touches the flange. Tighten the toggle anchor screw until it becomes difficult to turn. At this point the internal pivot will have engaged the backside of the dry wall.

Remove the toggle Anchor Screw (H), turning counter-clockwise.

5. Align the Hanging Bar (I) on the wall over the Toggle Anchors (G), and re-insert Toggle Anchor Screws (H) with a Philips Head Screwdriver until tight.



### Hanging the Product:

1. On the back of your product is an affixed product-mounting bracket.
2. Slowly attach the wooden bracket over the Hanging Bar (I) until it is fully placed on the Hanging Bar (I). See below picture.
3. Your product is ready for use.

