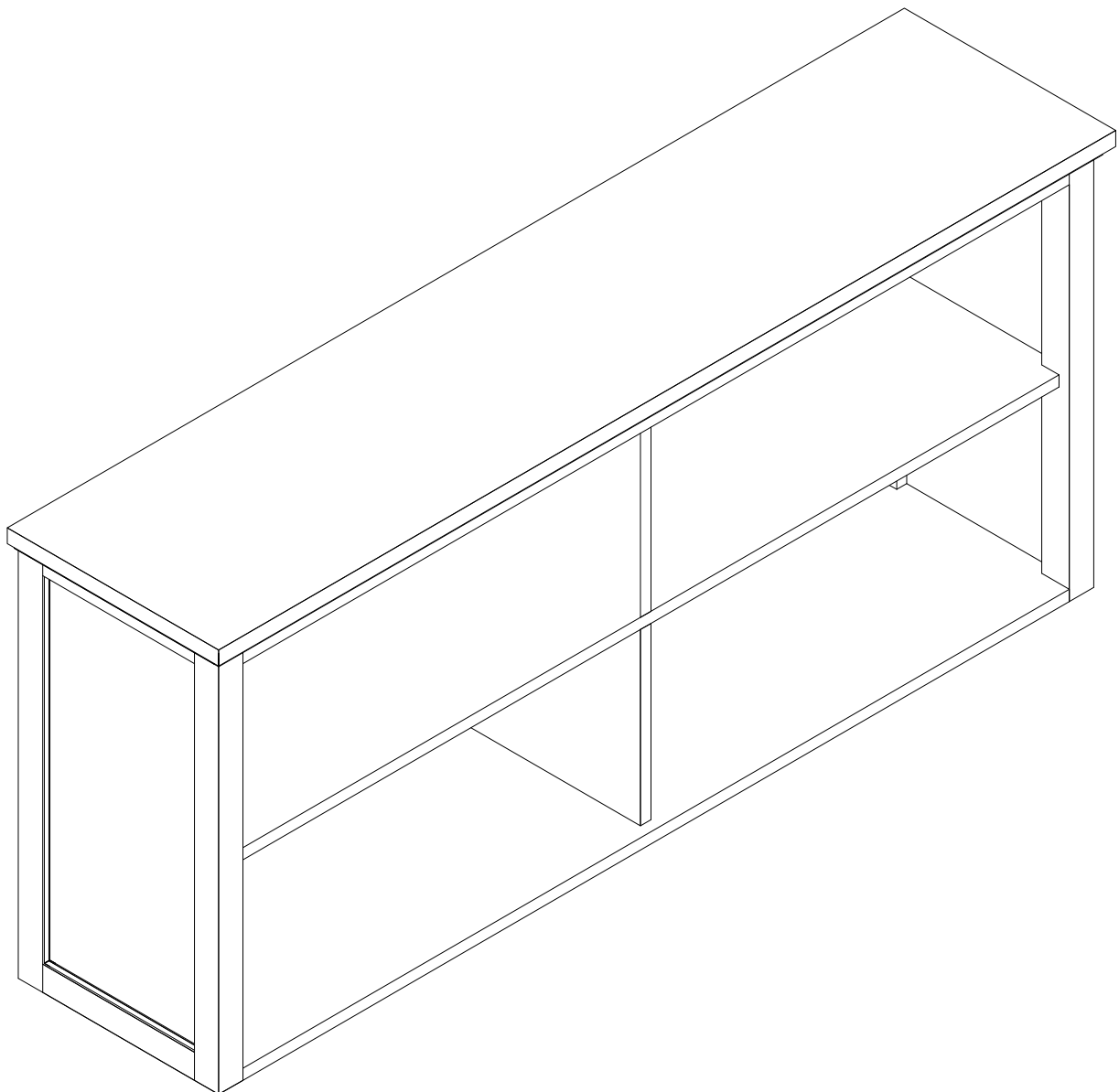




BEADBOARD STORAGE BED HUTCH TWIN

ASSEMBLY INSTRUCTIONS



Important Safety Instructions:

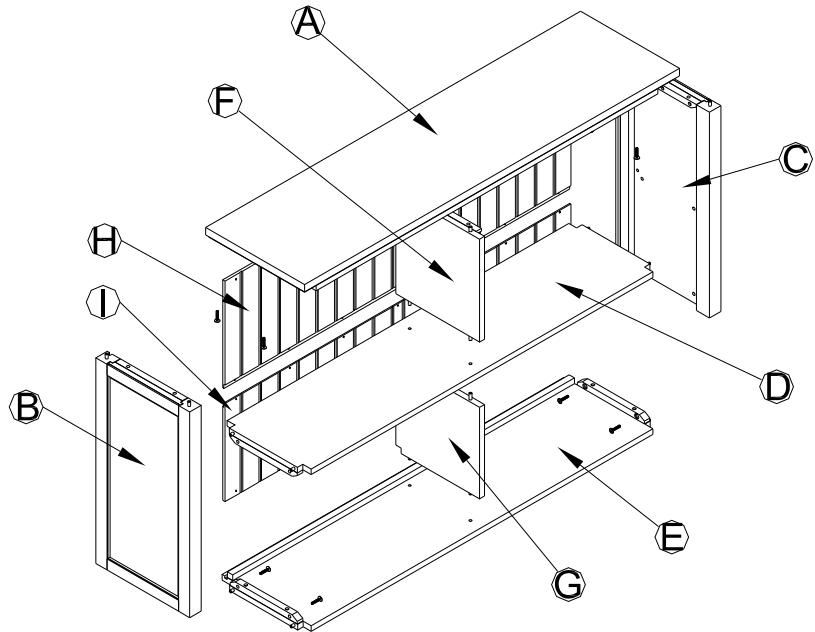
- Please read all instructions carefully before assembling this furniture.
- For your safety, assembly by two or more adults is strongly recommended.
- Keep these instructions for future use.
- Use only vendor-supplied hardware to assemble this item. Using unauthorized hardware could jeopardize the structural integrity of the item.

Pre-assembly:

- Remove all parts and hardware from the box. Place all items on a carpeted or scratch-free work surface, as this will avoid damaging the parts during assembly. The shipping box provides an ideal work surface.
- To avoid accidentally discarding small parts or hardware, do not dispose of any packaging or contents of the shipping carton until assembly is complete.
- Use the parts and hardware lists below to identify and separate each of the pieces included.
- The illustrations provided allow for easier assembly when used in conjunction with the assembly instructions.
- The use of power tools to aid in assembly is not recommended. Power tools can damage the hardware and split the wood.

Parts Included:

- (A) Top Panel (1x)
- (B) Left Side Panel (1x)
- (C) Right Side Panel (1x)
- (D) Shelf (1x)
- (E) Bottom Panel (1x)
- (F) Upper Divider (1x)
- (G) Lower Divider (1x)
- (H) Upper Back Panel (1x)
- (I) Lower Back Panel (1x)


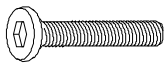

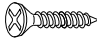
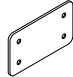

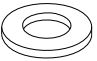


Tools Required:



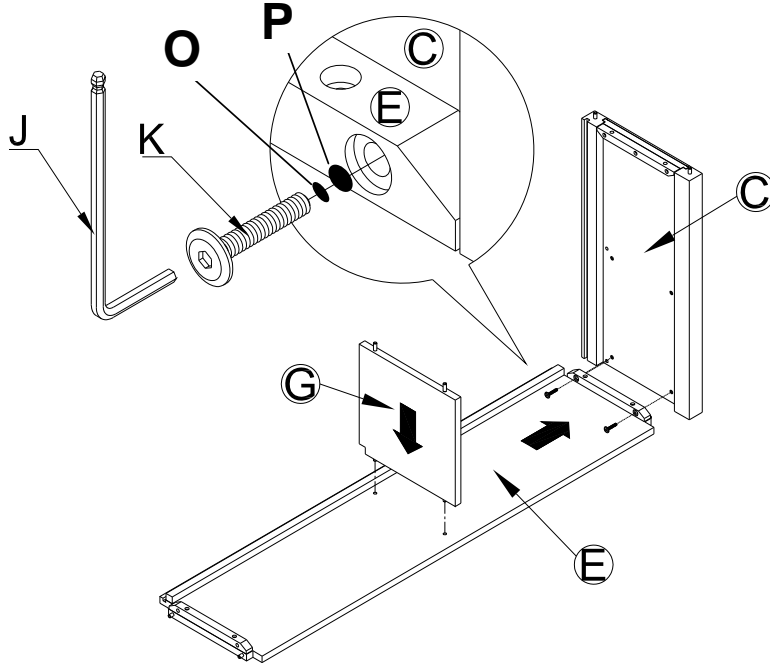
Philips Head Screwdriver (not included)

Hardware Included:

 (J) Allen Key – 1x	 (K) Bolt 1/4"x 25mm – 14x	 (L) Long Wood Screw 3.5x19mm – 21x
 (M) Short Wood Screw 3x15mm – 8x	 (N) Connecting Bracket – 2x	 (O) Spring Washer – 14x
 (P) Flat Washer – 14x		

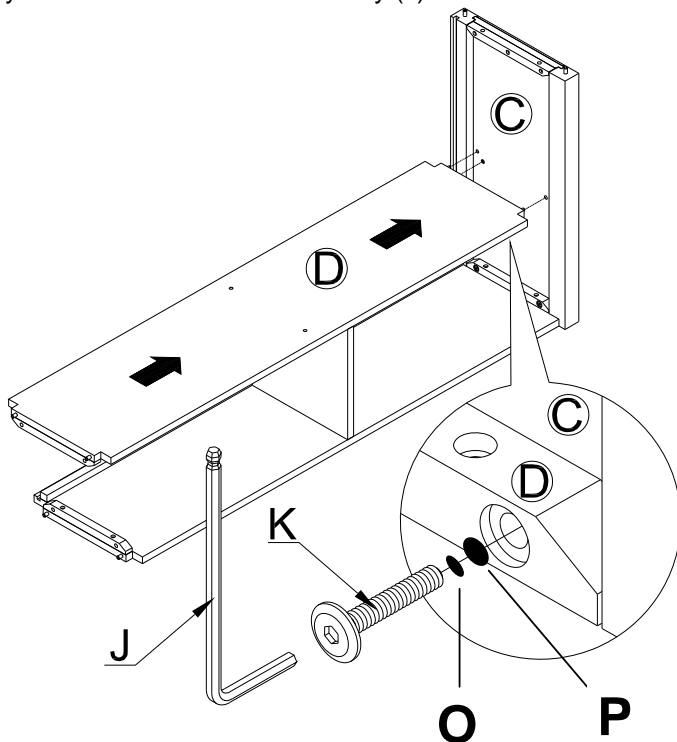
Assembly Instruction Steps:

1. Attach the Right Side Panel (C) to the Bottom Panel (E) by aligning the pre-fixed wooden dowels at the end of the Bottom Panel (E) to the holes on the Right Side Panel (C), as seen in the illustration below.
2. Insert 2 sets of: Bolt (K), Spring Washer (O), and Flat Washer (P) through the pre-drilled holes on the wooden cleat of the Bottom Panel (E) and into the metal inserts located on the Right Side Panel (C).
3. Loosely secure the bolts with Allen Key (J).
4. Attach the Lower Divider (G) to the Bottom Panel (E) by aligning the pre-fixed wooden dowels on the divider to the pre-drilled holes on the Bottom Panel (E). Make sure the cut-out sits on top of the wooden ledge on the Bottom Panel (E), as seen in the illustration below.



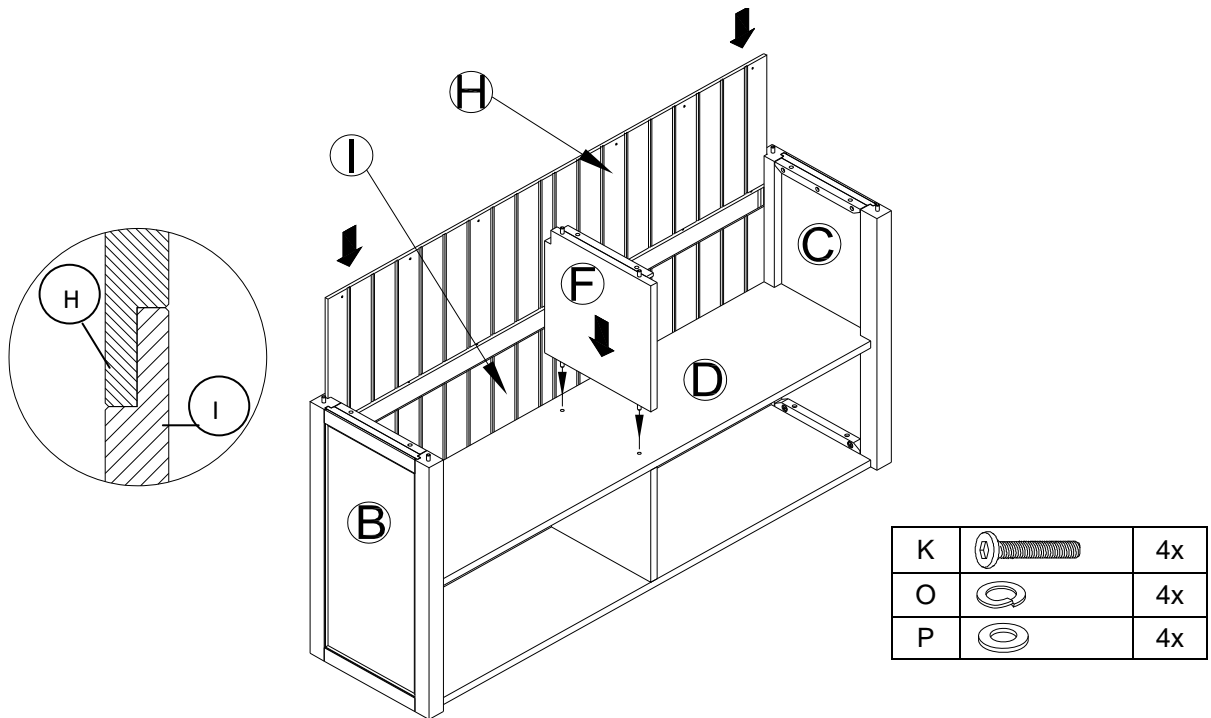
K		2x
O		2x
P		2x

5. Attach Shelf (D) to the Right Side Panel (C) and Lower Divider (G) with the wooden cleats on the shelf facing downwards.
6. Align the pre-fixed wooden dowels on the Shelf (D) end to the pre-drilled holes located on Right Side Panel (C).
7. Move the secured Right Side Panel (C) a little to allow the pre-fixed wooden dowels of the Lower Divider (G) to align with pre-drilled holes of Shelf (D).
8. Insert 2 sets of: Bolt (K), Spring Washer (O), and Flat Washer (P) through the pre-drilled holes on the wooden cleat of the Shelf (D) and into the metal inserts located on the Right Side Panel (C).
9. Loosely secure the bolts with Allen Key (J).

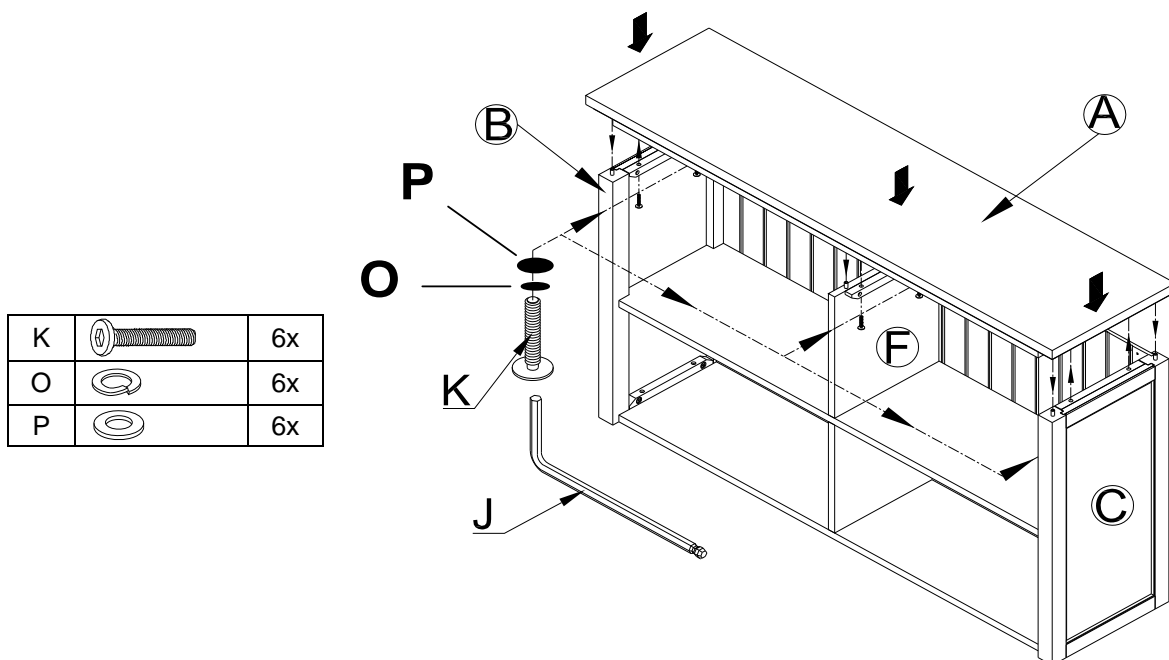


K		2x
O		2x
P		2x

10. Attach the Left Side Panel (B) to the assembled unit by aligning the pre-drilled holes on the Left Side Panel (B) to the pre-fixed wooden dowels on Shelf (D) and Bottom Panel (E).
11. Insert 4 sets of: Bolt (K), Spring Washer (O), and Flat Washer (P) through the pre-drilled holes on the wooden cleats of the Shelf and Bottom Panel and into the metal inserts located on the Left Side Panel (B).
12. Loosely secure the bolts with Allen Key (J).
13. Slide the Lower Back Panel (I) then the Upper Back Panel (H) into the slots at the back side of the Left & Right Side Panels. Make sure the back panels are well overlapped in the center, as seen in illustration below.
14. Attach the Upper Divider (F) to the Shelf (D) with its pre-fixed wooden dowels aligned with the pre-drilled holes on the Shelf (D). Make sure the cut-out on the Upper Divider (F) is facing upwards at the back side, as seen below.

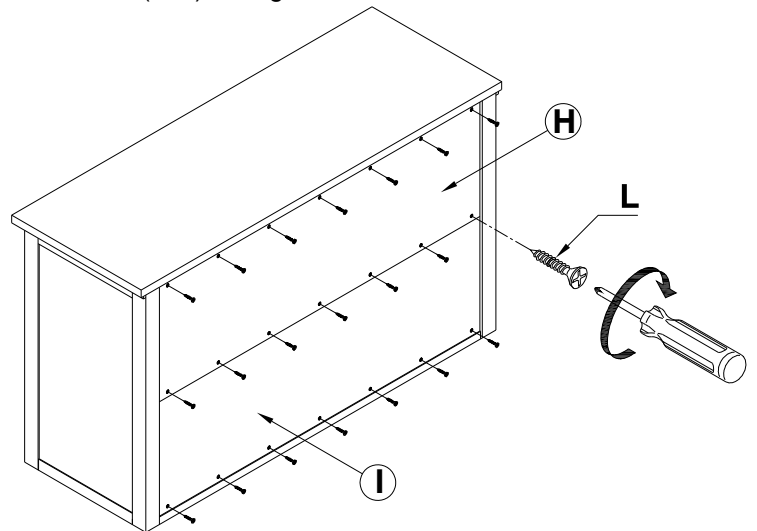


15. Attach Top Panel (A) to the Left & Right Side Panels (B&C) and Upper Divider (F) by aligning the pre-drilled holes under Top Panel (A) to the pre-fixed wooden dowels on the tops of these components.
16. Insert 6 sets of: Bolt (K), Spring Washer (O), and Flat Washer (P) through the pre-drilled holes on the wooden cleats of the Left & Right Side Panels (B&C) and Upper Divider (F) and into the metal inserts located on Top Panel (A).
17. Check all alignments and tighten all connecting bolts.

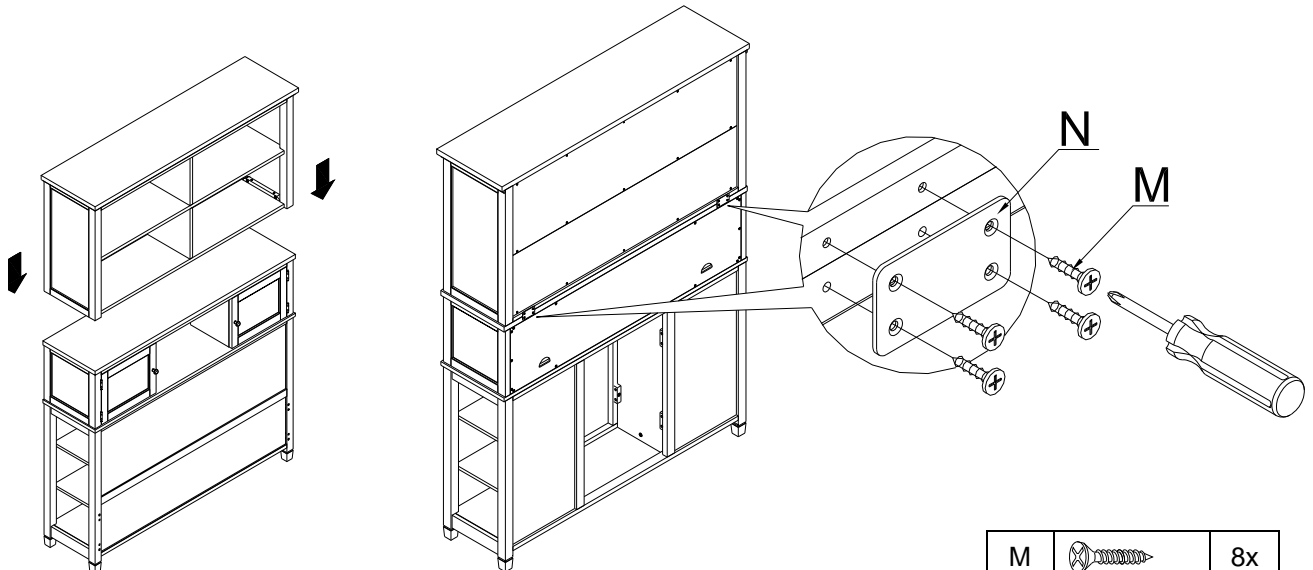




18. Insert 21 Long Wood Screws (L) to secure the Back Panels (H&I) to the hutch with a Philips Head Screwdriver (not provided). Use the pre-drilled holes on the Back Panels (H&I) as a guide.

L		21x
---	---	-----



19. Place the Hutch on top of a Beadboard Storage Twin Bed Headboard (sold separately).
 20. Place 2 Connecting Brackets (N) over the pre-drilled holes on the rear sides of the Hutch and Headboard, as seen in the illustration below.
 21. Secure the Connecting Brackets with 8 Short Wood Screws (M).



M		8x
N		2x

Care Instructions:

- Dust often using a clean, soft, dry, and lint-free cloth.
- Blot spills immediately and wipe with a clean, damp cloth.
- We do not recommend the use of chemical cleansers, abrasives, or furniture polish on our lacquered finish.
- Hardware may loosen over time. Periodically check to make sure all connections are tight. Re-tighten if necessary.



FURNITURE TIPPING RESTRAINT

WARNING: This product is only a deterrent. It is not a substitute for proper adult supervision. Manufacturer assumes no liability for improper installation or excessive loads placed on screws, brackets or straps.

Young children may be injured by tipping furniture and the use of a tipping restraint is highly recommended.

When properly installed, this restraint will provide protection against tipping of furniture. This tipping restraint **MUST** be secured to a wall-stud or wall structure of similar strength.

Hardware included: (2) Brackets (1) Nylon Strap
(2) Long Stud Mounting Screws (2) Short Furniture-Side Mounting Screws

Note: For safe mounting it is essential to use the proper hardware for your wall type. The included hardware is for drywall or stud mounting only. For other wall types (e.g., plaster, concrete and brick) please consult your local hardware store for fastener advice.

To install:

1) LOCATING THE STUDS: Use a stud finder to locate the vertical wooden studs within your wall located behind the final position of the furniture item. Mark the stud locations with a light pencil-mark.

2) MOUNTING THE FURNITURE-SIDE BRACKET: Move the furniture item close to the wall to its final position. Use pieces of tape or a pencil to transcribe the stud locations of the wall onto the furniture item. Move the furniture item again so you can access its back and use the marks to locate a suitable mounting point for the furniture-side bracket. Make sure that the bracket is secured to a firm portion of the furniture frame and as high as possible. Remember: The furniture-side bracket must be positioned near a wall stud. Using a pencil, and the bracket as a guide, mark "screw marks" on the furniture item through the bracket holes.

Use a 3/32" drill bit to drill pilot holes into the furniture item at the "screw marks". Use the TWO Short screws to secure the furniture-side bracket. This bracket can be positioned either vertically or horizontal as necessary (See Figure 1).

3) MOUNTING THE WALL-SIDE BRACKET: Position the wall-side bracket along the selected stud mark so that it will be adjacent the furniture-side bracket when the furniture item is moved to its final position. The wall-side bracket should be about ONE inch lower than the furniture-side bracket (See Figure 3). Use the TWO Long screws to secure the wall-side bracket to the wall. Remember to position the wall-side bracket vertically so that both screws will engage the selected wall stud (See Figure 2).

4) ATTACHING THE STRAP: When both brackets are securely attached, move the furniture to its final desired position and thread the strap through the openings of each bracket and also through the ratcheting "buckle". Tighten the strap until several "clicks" are heard. The furniture item is now securely tethered to the wall.

Note: If you must move the furniture item, you can release the strap by depressing the lever arm located at its buckle and simultaneously withdrawing the strap from the buckle. Make sure to reconnect the strap once the furniture item is returned to its previous position.

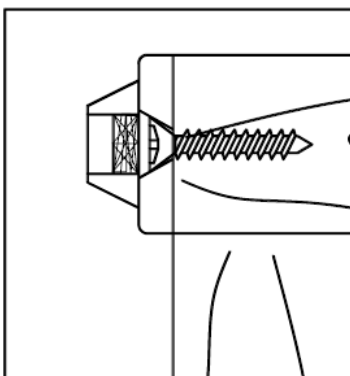


Figure 1

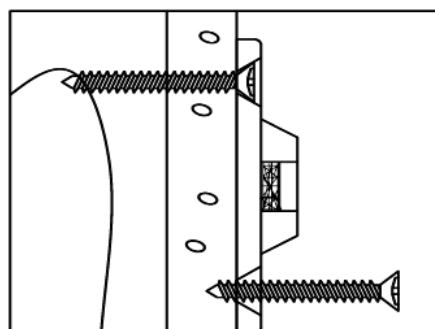


Figure 2

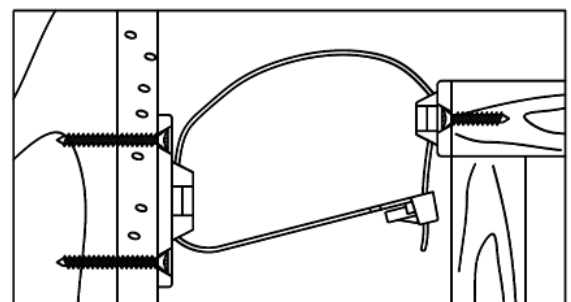


Figure 3