



Oversized Chalkboard Organizer

Components: One chalkboard with one set of chalk

Hardware Included:

- A. (2) Anchors
- B. (2) Screws
- C. (1) Wall Mounting Template

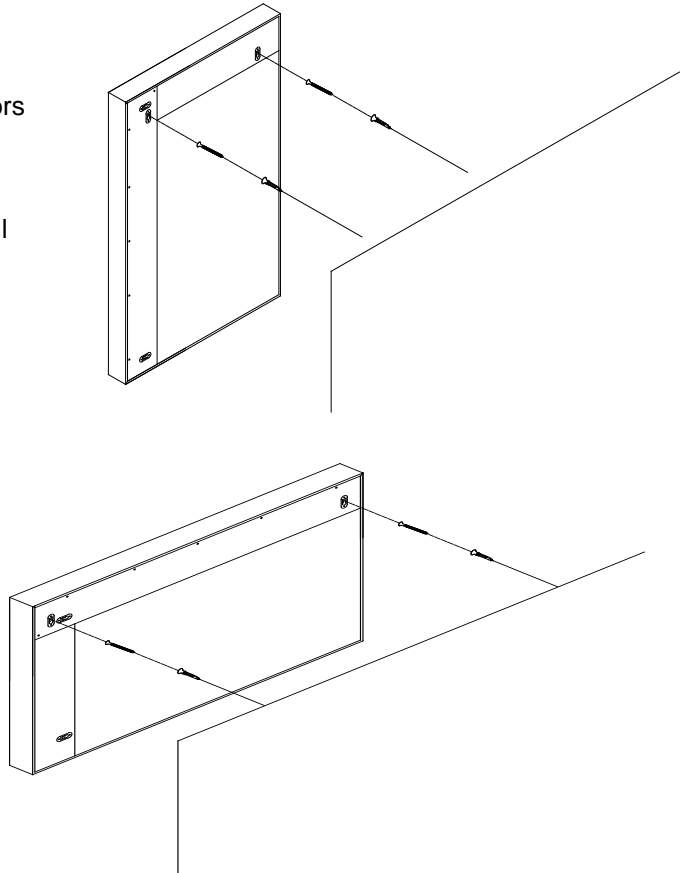
The hardware included is meant for dry wall mounting only. If walls are concrete, brick or plaster, please consult your local hardware store for assistance.

Tools Required: Phillips Screwdriver, Level, Pencil, Tape Measure, Stud Finder

This item includes two pairs of keyholes on the back for mounting the item in either orientation (landscape or portrait). Only one pair of keyholes is used, depending on your selected orientation.

Mounting Instructions:

- 1) Position the provided paper template at a desired location on a wall and at a desired orientation (landscape or portrait). Use a level to ensure that the template is level and then use a pencil to mark the wall through the template at the two small black dots at the selected keyhole locations. Remove the template and the remaining two marks on the wall are the insertion points for your mounting hardware.
- 2) The provided anchors cannot penetrate wood. Therefore we have to determine if either mark of Step (1) happens to align with a wall stud. If either does (use a stud finder to determine this), do not use an anchor at the mark. Instead, use a screwdriver to secure a provided screw directly into the wall at this mark. Rotate the screw clockwise until the screw head resides about 3/8" from the wall.
- 3) For marks that do not align with a stud, install a provided anchor into the drywall first and then the screw. The anchors help hold the screw to the sheetrock. To install the anchor, use the screwdriver to engage the anchor and then position the anchor tip against the wall at one of the marks. Push the anchor into the wall as you rotate it clockwise until the wide end of the anchor becomes even with the wall.
- 4) Use the screwdriver to secure a screw into each installed anchor. Rotate the screw clockwise until the screw head is about 3/8 inches from the wall.
- 5) With the help of another person, lift the item against the wall and align and engage the selected keyhole brackets with the protruding screws.



Care Instructions:

To clean: Wipe with a soft, dry cloth.
Do not use any abrasive or strong chemical household cleaners.

Thank you for your purchase!
www.pbteen.com