

Elsie Shelf Triple

Component: (1) Shelf -A

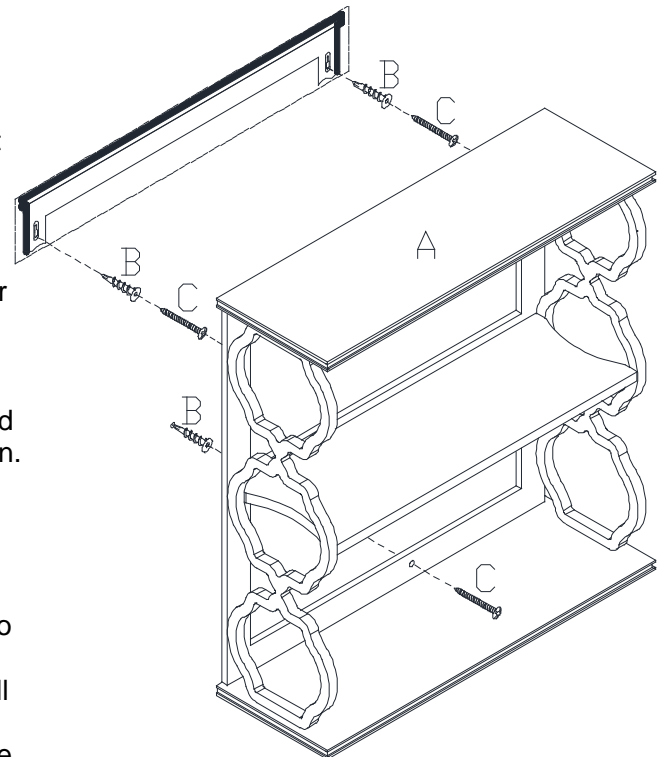
Hardware Included: (3) Anchor -B (3) Screws -C

Tools Required: Phillips Screwdriver, Level, Pencil, Tape Measure, Stud-Finder

Mounting Instructions:

This item includes two keyhole brackets on the back for supporting the item against a wall and a screw hole on the bottom to further tie-down the item on the wall. A paper template is provided with this item to help in locating the insertion points on the wall, as explained below.

- 1) Position the provided paper template at a desired location on a wall. Use a level to ensure the template is level and then secure it to the wall using tape or tacks. Using a pencil, mark the wall through the template (pierce the paper with the pencil) at the locations of the black dots in the keyholes. Remove the template from the wall. The remaining two marks are the upper insertion points for your mounting hardware.
- 2) The provided anchors cannot penetrate wood. Therefore we have to determine if either mark of Step (1) happens to align with a wall stud. If either does (use a stud finder to determine this), do not use an anchor at the mark. Instead, use a screwdriver to secure a provided screw directly into the wall at this mark. Rotate the screw clockwise until the screw head resides about 3/8 inch from the wall.
- 3) For marks that do not align with a stud, first install a provided anchor into the wall. To install the anchor, use the screwdriver to engage an anchor and then position the anchor tip against the wall at one of the marks. Rotate the anchor clockwise as you firmly push it into the wall. The anchor will drive itself into the wall like a large screw. Continue rotating until the wide end of the anchor becomes even with the wall. Do not over-tighten.
- 4) Use the screwdriver to secure a screw into each installed anchor. Rotate the screw clockwise until the screw head is about 3/8 inch from the wall.
- 5) With the help of another person, lift the item against the wall so that the two keyhole brackets on the back align and engage with the protruding screw heads. Use a pencil to mark the wall through the screw hole located at the bottom rail of the shelf frame (as shown in the diagram). Take down the item from the wall. There will be a mark remains on the wall.
- 6) Again, use a stud finder to determine if that mark aligns with a wall stud or not. If it does, go to next step directly. If not, follow the step (3) to install the third anchor at this mark.
- 7) Re-hang the item on the wall. Use the screwdriver to secure a remaining screw through the screw hole and into the installed anchor (or directly into an aligned wall stud). Rotate clockwise until the screw is tight. Now the item is tied-down and secured on the wall.



WARNING! DO NOT MOUNT THIS ITEM ABOVE CRIBS, BEDS, or CHANGING TABLES.

The load for this item is 33 pounds per shelf, 100 pounds total.

The hardware included is meant for dry wall mounting only. If walls are concrete, brick or plaster, please consult your local hardware store for assistance.

Care Instructions: To clean: Wipe with a soft, dry cloth.
Do not use any abrasive or strong chemical household cleaners.