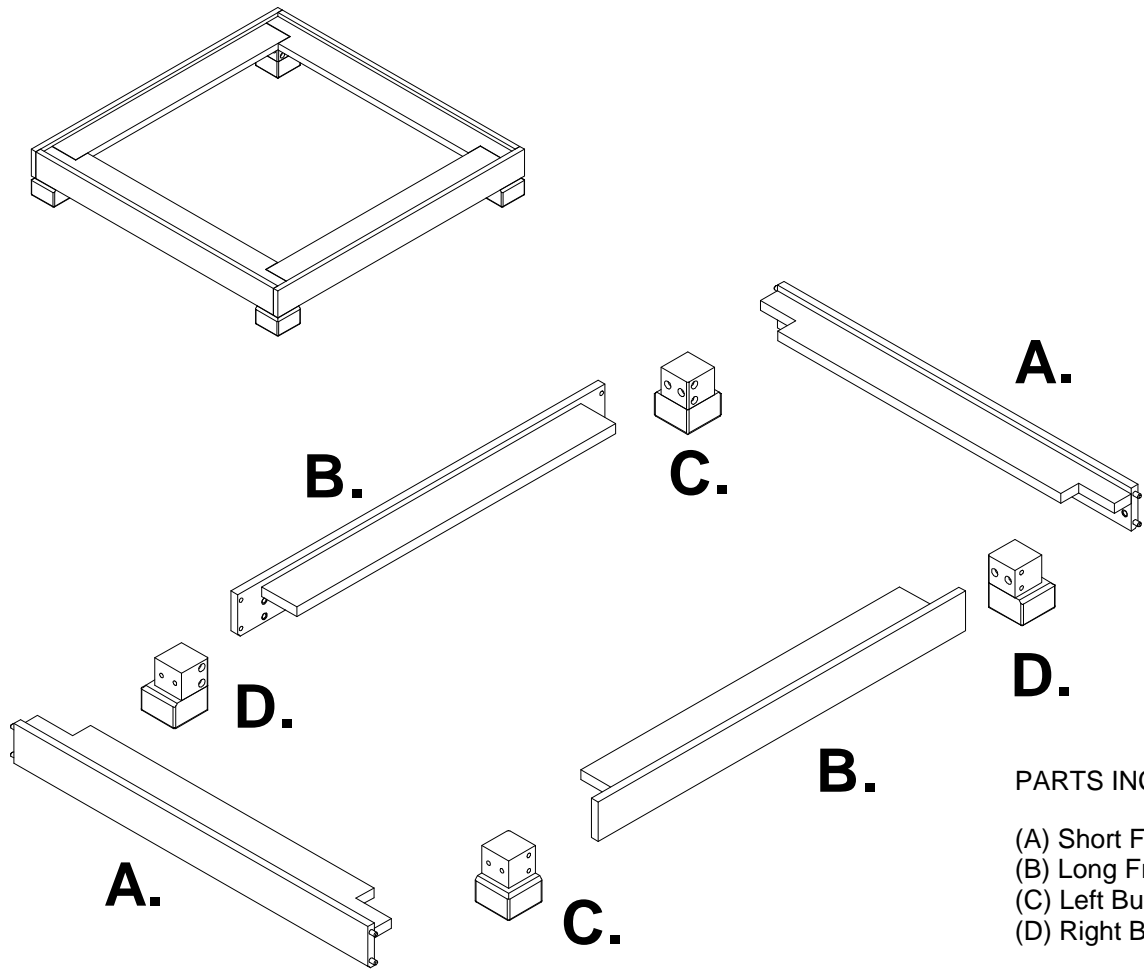





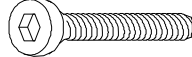


# CUSHY PEDESTAL BASE



### PARTS INCLUDED:

- (A) Short Frame – 2pcs
- (B) Long Frame – 2pcs
- (C) Left Bun Foot – 2pcs
- (D) Right Bun Foot – 2pcs

### HARDWARE LIST:

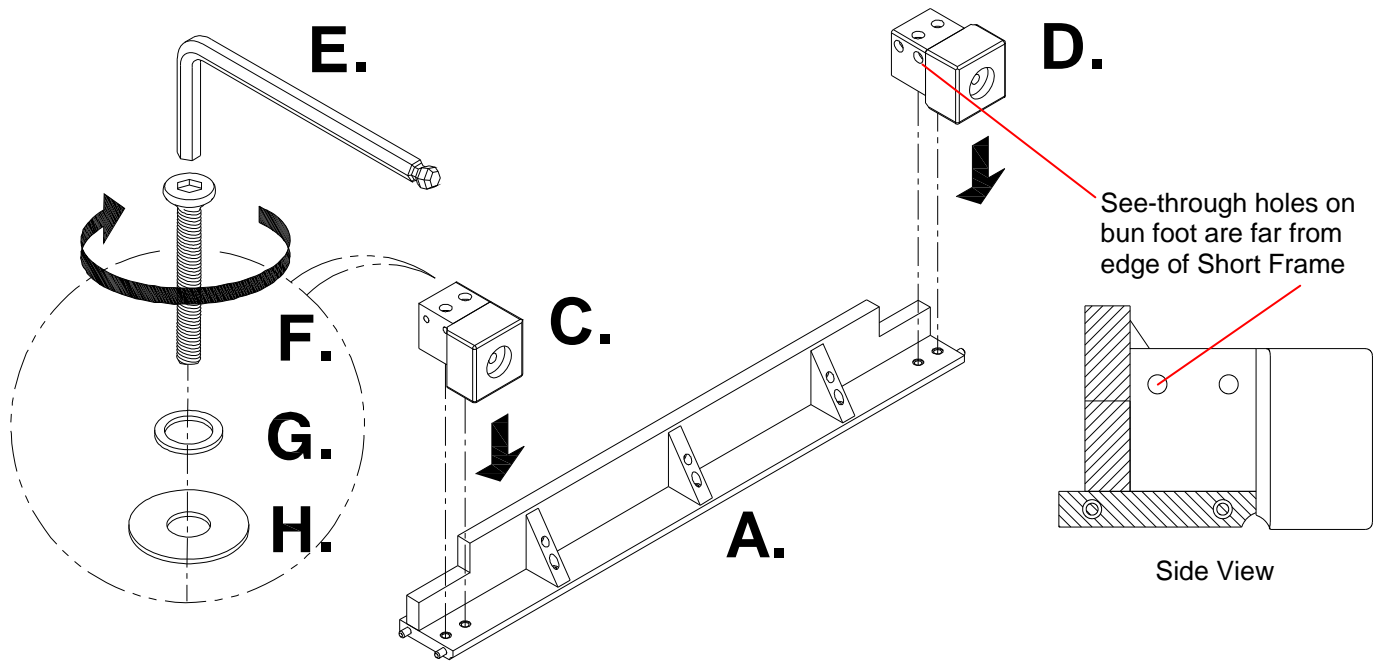
 (E) Allen Key – 1x	 (F) Bolt 1/4"x64mm – 16x	 (G) Spring Washer 1/4" – 16x	 (H) Flat Washer 1/4" – 16x
-----------------------------------------------------------------------------------------------------------	-----------------------------------------------------------------------------------------------------------------	---------------------------------------------------------------------------------------------------------------------	---------------------------------------------------------------------------------------------------------------------

### PRE-ASSEMBLY:

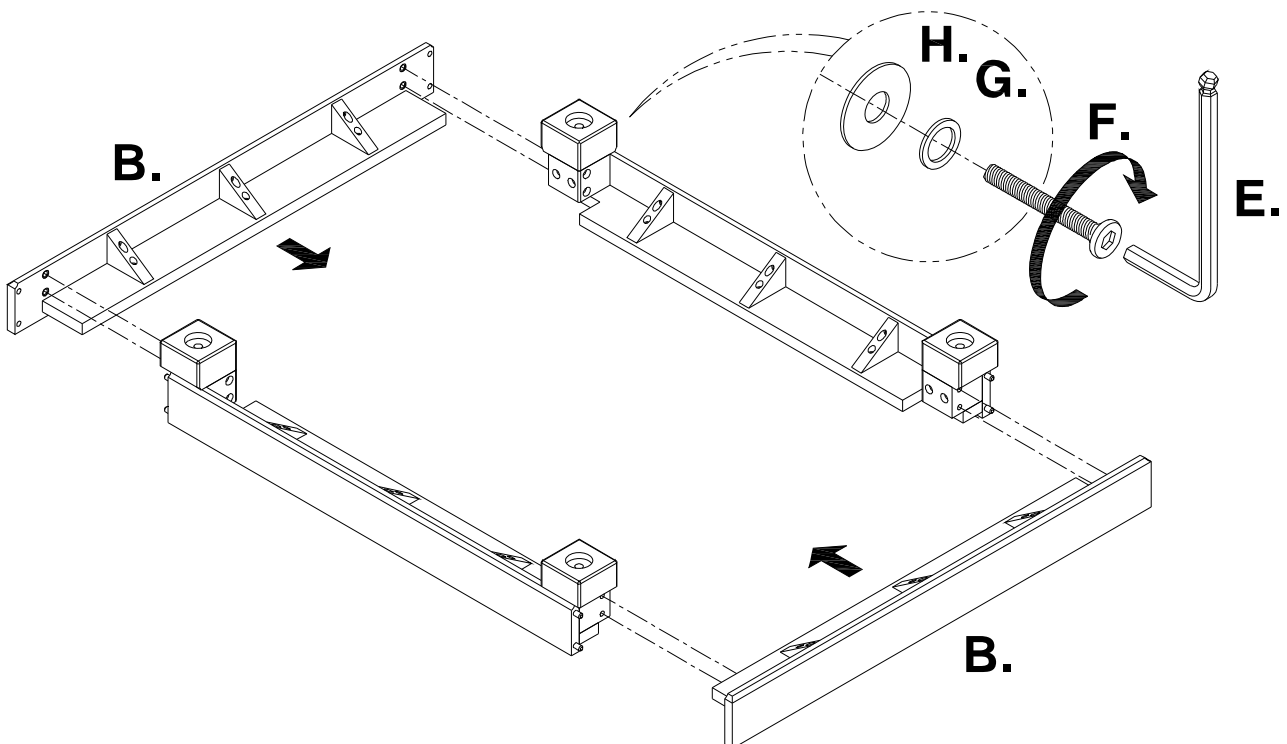
- For your safety and ease, assembly by two adults is recommended.
- Please read all instructions before beginning assembly. The illustrations provided allow for easier assembly when used in conjunction with the assembly instructions.
- Remove all parts and hardware from box and lay out on a carpeted or scratch-free work surface. The shipping box provides an ideal work surface. Do not dispose of any contents until assembly is completed to avoid accidentally discarding small parts or hardware.
- Use the parts and hardware lists to identify and separate each of the pieces included prior to starting assembly.
- Note: DO not fully tighten the bolts until all parts are in place. Failure to follow these instructions may cause the bolts to misalign during assembly.
- Do not use power drill as it may cause cracking.

**ASSEMBLY INSTRUCTIONS:**

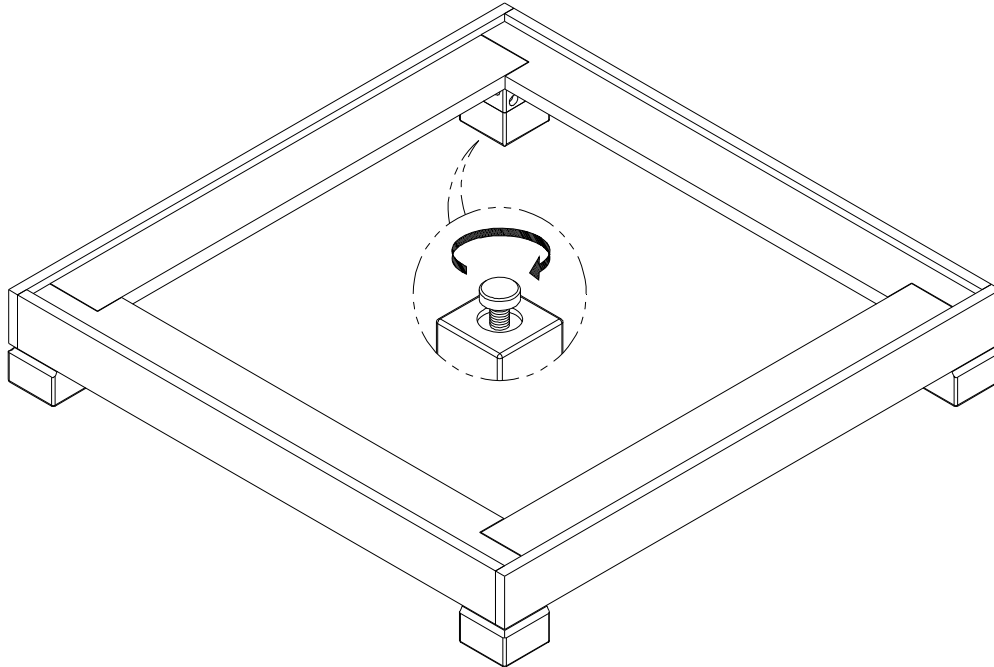
1. Slide a Spring Washer (G) and a Flat Washer (H) onto each Bolt (F). Attach a Left Bun Foot (C) and a Right Bun Foot Right (D) to each end of Short Frames (A). Use (2) bolts with washers to secure each bun foot. Make sure the other see-through holes are on the side far from the edge of Short Frame as shown below.



2. Align and attach the assembled Short Frames to each end of a Long Frame (B). Insert bolts with washers through pre-drilled holes located on the bun foot into insert nuts located on the Long Frame (B). Repeat with the other Long Frame (B). Check alignments and fully tighten all connecting bolts.



3. Turn levelers located on bottom of feet in and out to keep the base level when needed.



**CARE INSTRUCTIONS:**

- Dust often using a clean, soft, dry lint-free cloth.
- Blot spills immediately, and wipe with a clean, damp, cloth.
- We do not recommend the use of chemical cleansers, abrasives, or furniture polish on our lacquered finish.