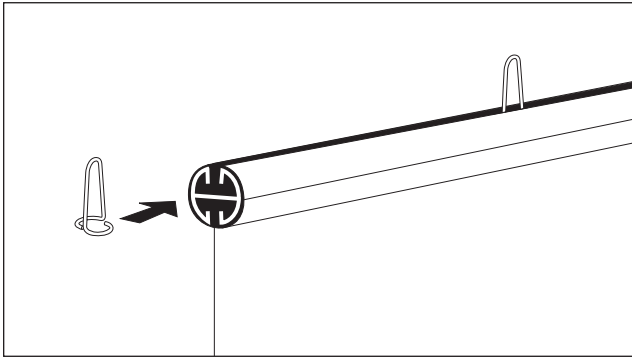
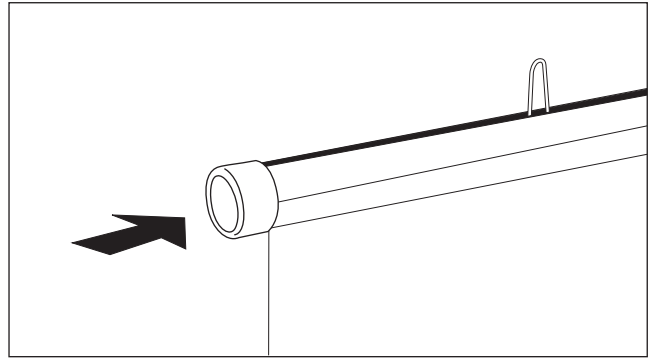




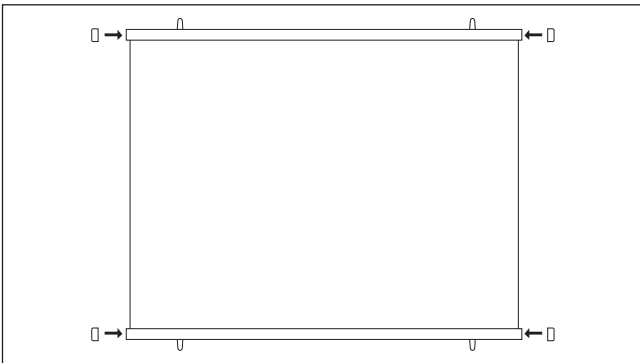
Wall Mural Single panel



1. Attach hangers to the tubes by inserting into the tubes' channels (evenly spaced apart).

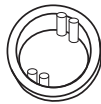


2. Place caps on tube ends.



3. Rear view of the mural.
NOTE: Wall-mounted hanging hardware is not included.

Accessories included



Cap x 4



Hanger x 6



Tube x 2

Care Instruction: Please handle the mural with care. Avoid contacting the surface with any adhesive-backed products such as tape, decals, etc. Clean with a soft, dry cloth.