



Oxford Captain Bed Headboard Assembly Instruction

Pre-Assembly:

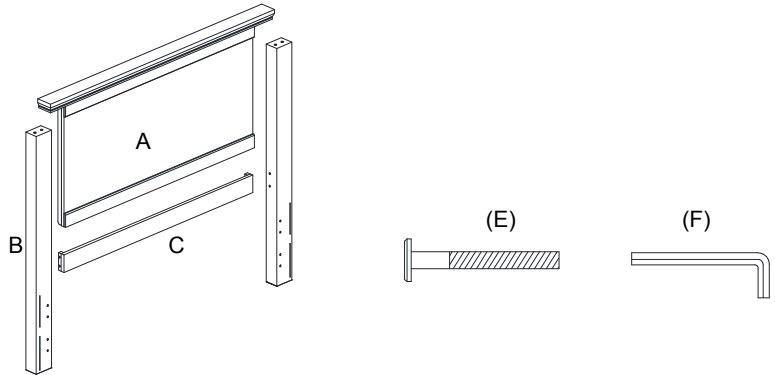
- Please read all instructions before beginning assembly.
- For your safety and convenience, assembly by two adult is recommended.
- Carefully set out and identify all part hardware prior to assembly.
- Save all packing materials until assembly is complete to avoid accidentally discarding small part or hardware.

Part Enclosed in Box 1:

- (1) Panel Headboard(A)
- (2) Posts(B)
- (1) Bottom Rail for Queen only(C)
- (1) Footboard (D)

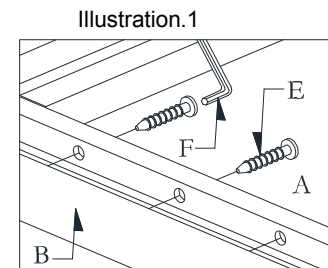
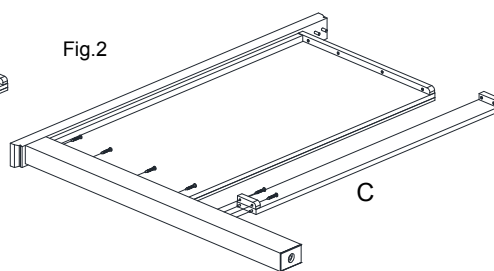
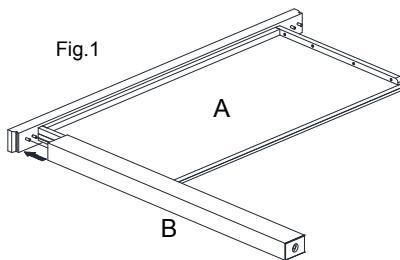
Hardware Enclosed in Box 1:

- Allen Bolts M8 x 40mm (E)
 - (12) Queen
 - (8) Full/Twin
- (1) Allen Key M5(F)

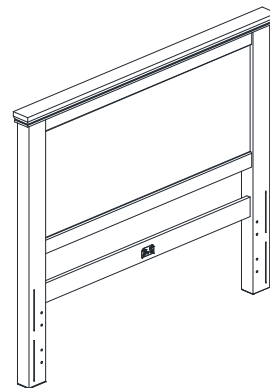
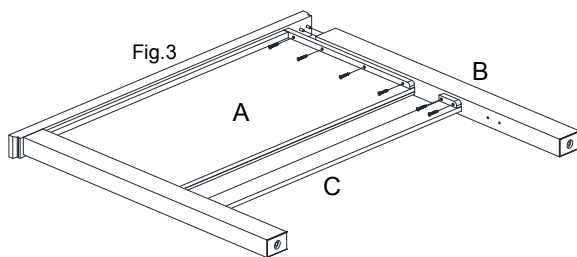


To Assemble:

1. Carefully lay the panel headboard (A) on a flat scratch-free or carpeted surface. Align the post (B) to the crown of the panel headboard (A) by inserting dowels into the holes on the top post, as shown in figure 1.
2. Align the bottom rail (C) to the post (B) by inserting the dowels into the holes on the post (B) as shown in fig 2.
Note: For Twin & Full Size, the units do not have bottom rail (C). Please skip step no 2.
3. Insert the Allen bolts (E) through the holes in the cleats on both, the panel headboard (A), and the bottom rail (C) (**for Queen only**), and into the inserts in the posts (B) as shown in figure 2. Loosely tighten with the Allen Key (F) as shown in illustration 1, until second post is secured.



4. To attach the second post, repeat steps 2 and 3. See figure 3 below. Now, fully tighten all bolts until secure. Do not over tighten.



Care Instructions:

- Avoid direct sunlight and excessive temperatures.
- Dust often using a clean, soft, dry and lint-free cloth.
- Waxing is not recommended on lacquered finish.
- Please wipe up all spills immediately.