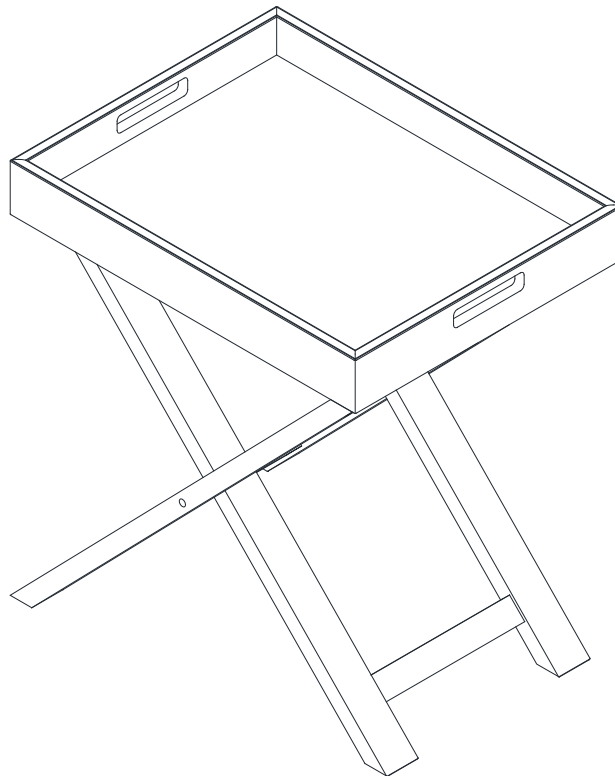


TRAY TABLE

ASSEMBLY INSTRUCTION



IMPORTANT SAFETY INSTRUCTIONS:

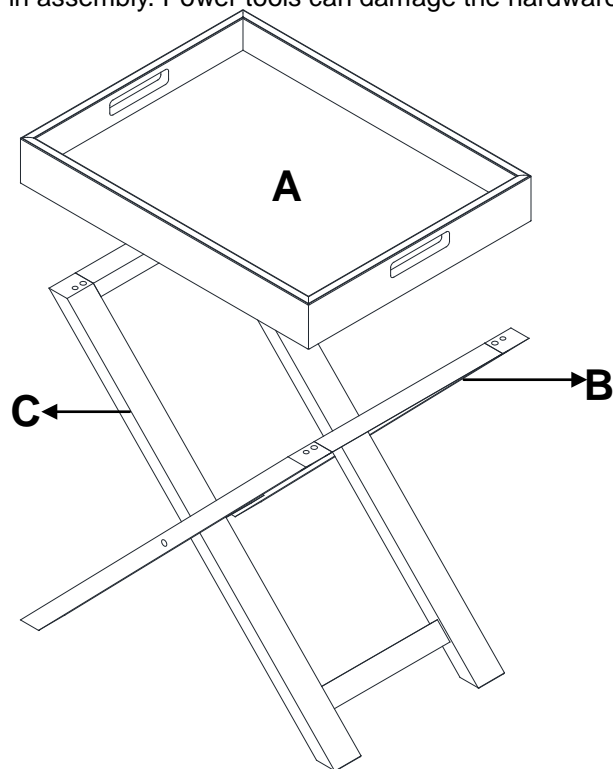
- Please read all instructions carefully before assembling this product.
- For your safety, assembly by two or more adults is strongly recommended.
- Keep these instructions for future use.
- Use only vendor-supplied hardware to assembly this item. Using unauthorized hardware could jeopardize the structural integrity of the item.

PRE- ASSEMBLY:

- Remove all parts and hardware from the box. Place them on a carpeted or scratch-free work surface, as this will avoid damaging parts. The shipping box provides an ideal work surface.
- To avoid accidentally discarding small parts or hardware, please do not dispose of any contents until assembly is complete.
- Two people are recommended for your safety and ease of assembly.
- Prior to starting this assembly, use the parts and hardware lists to identify and separate each of the pieces included.
- The illustrations provided allow for easier assembly when used in conjunction with the assembly instructions.
- Note: Do not fully tighten any of the bolts until all parts are in place. Failure to follow these instructions may cause the bolts to misalign during assembly.
- Please use caution if using power tools to aid in assembly. Power tools can damage the hardware or split the wood.

PARTS INCLUDED:



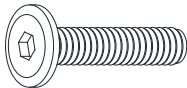




- (A) Top - 1 x
- (B) Large leg frame - 1 x
- (C) Small leg frame - 1 x



PARTS REQUIRED:

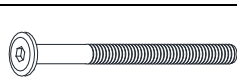

Sophie Vanity Desk (Sold separately)

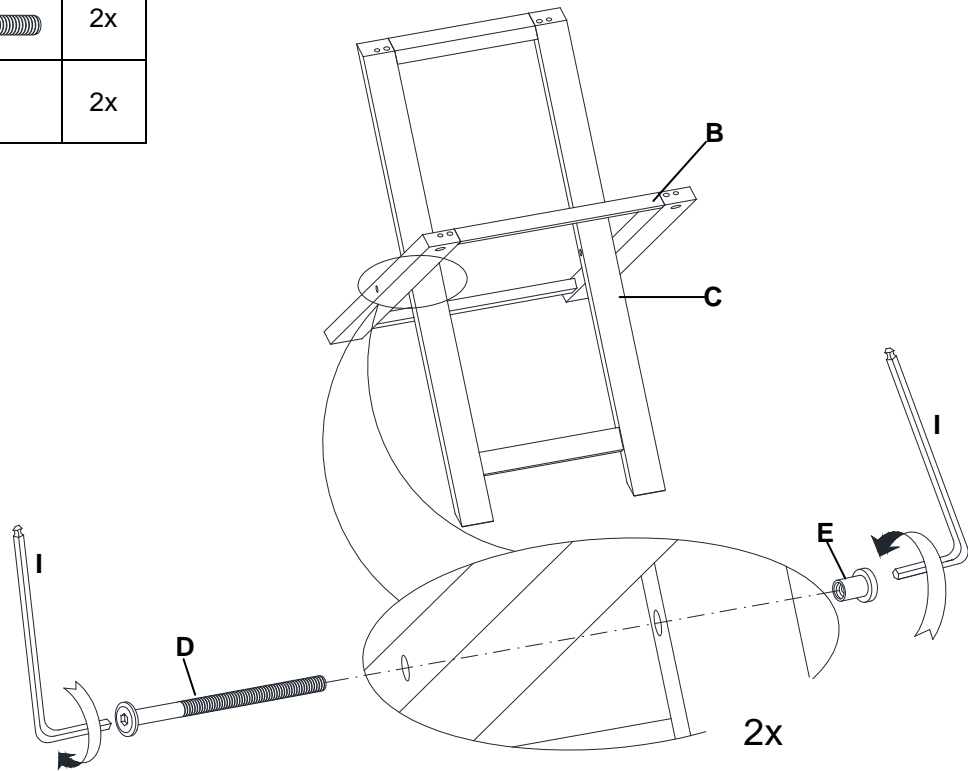
HARDWARE INCLUDED:

<p>(D) Bolt M6x98mm – 2x</p> 		<p>(E) Allen nut M6x15mm – 2x</p> 	<p>(F) Bolt M6x25mm – 4x</p> 
<p>(G) Lock Washer – 4x</p> 	<p>(H) Flat Washer – 4x</p> 	<p>(I) Allen Key 4mm – 2x</p> 	<p>(J) Dowel 8x20mm – 4x</p> 

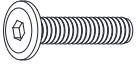


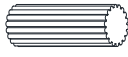
ASSEMBLY INSTRUCTION STEPS:

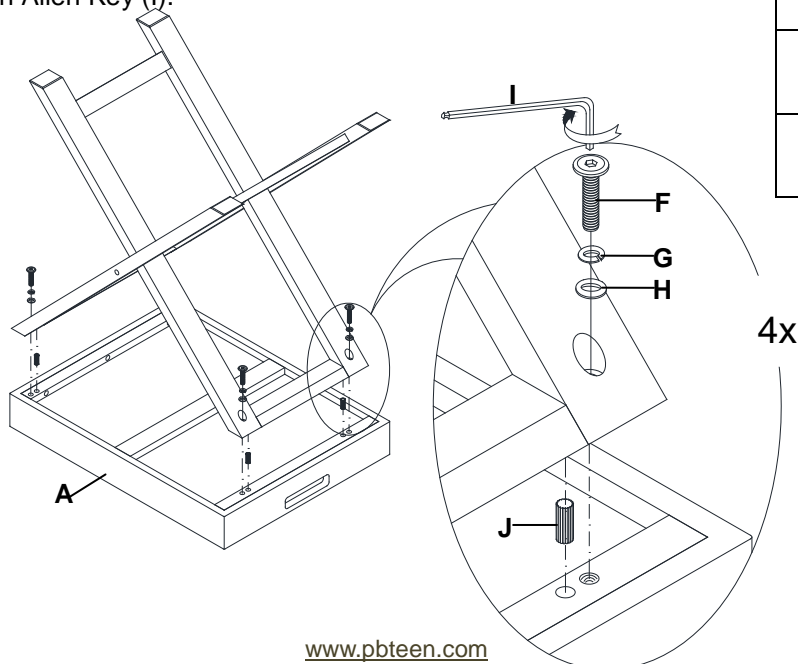
1. Attach the Small leg frame (C) to the Large leg frame (B), as seen in the illustration below.
2. Insert 2 sets of: Bolt (D) and Allen nut (E) through the pre-drilled holes on the Small leg frame (C) and Large leg frame (B) as seen in the illustration below. DO NOT tighten all bolts with Allen Key (I).

D		2x
E		2x

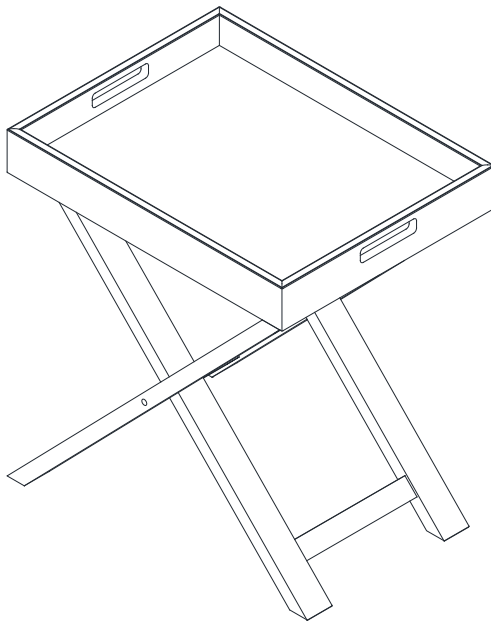


3. Place the Top (A) upside down on a soft, scratch free surface such a carpet or rug.
4. Insert 4 wooden dowels (J) into the pre-drilled holes underneath of Top (A).
5. Align the wooden dowels (J) on Top (A) with the pre-drilled holes on the cleats of Leg frame assembled, as seen in the illustration below.
6. Assembly the Leg frame onto the top, as seen in the illustration below.
7. Insert 4 sets of: Bolt (F), Lock Washer (G), and Flat Washer (H) through the pre-drilled holes from the wooden cleats of the leg frame and into the metal inserts on the bottom of Top (A), as seen below.
8. Tighten all bolts with Allen Key (I).

F		4x
G		4x
H		4x
J		4x



9. Slowly turn the Tray table upright. Assembly is complete.



CARE INSTRUCTIONS:

- Dust often using a clean, soft, dry, and lint-free cloth.
- Blot spills immediately and wipe with a clean, damp cloth.
- We do not recommend the use of chemical cleansers, abrasives, or furniture polish on our lacquered finish.
- Hardware may loosen over time. Periodically check to make sure all connections are tight.
Re-tighten if necessary.