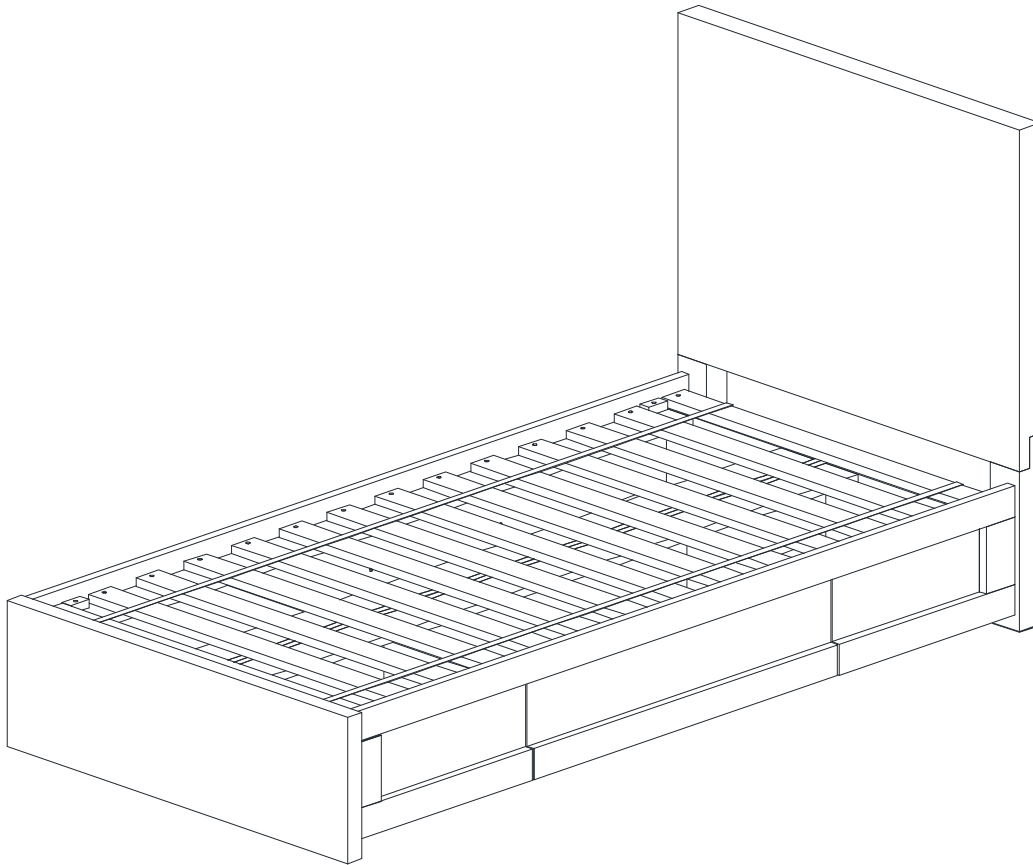


DOVER STORAGE BED TWIN

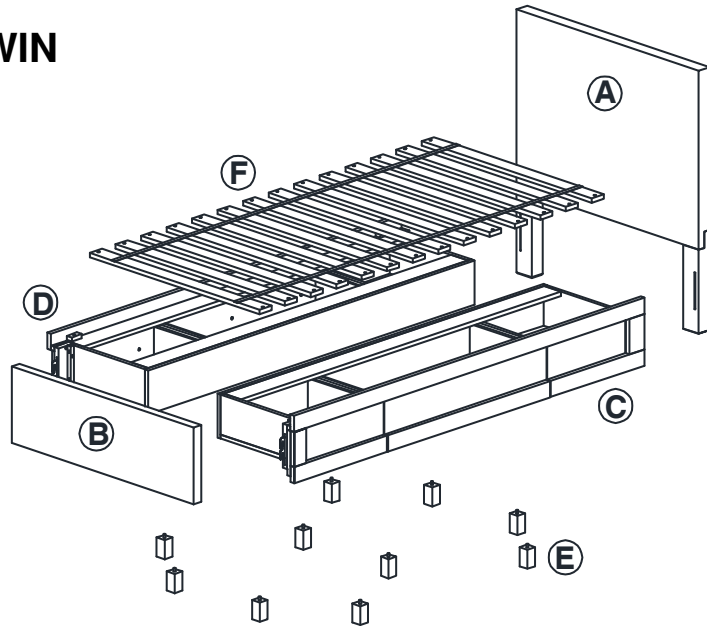
ASSEMBLY INSTRUCTIONS



DOVER STORAGE BED TWIN

PARTS INCLUDED:

- (A) Dover Classic Headboard Twin – 1pc
- (B) Footboard – 1pc
- (C) Right Side Storage Unit – 1pc
- (D) Left Side Storage Unit – 1pc
- (E) Support Foot – 10pc
- (F) Slat Roll – 1pc



TOOLS REQUIRED:

Philips Screwdriver (Not included)



HARDWARE LIST:



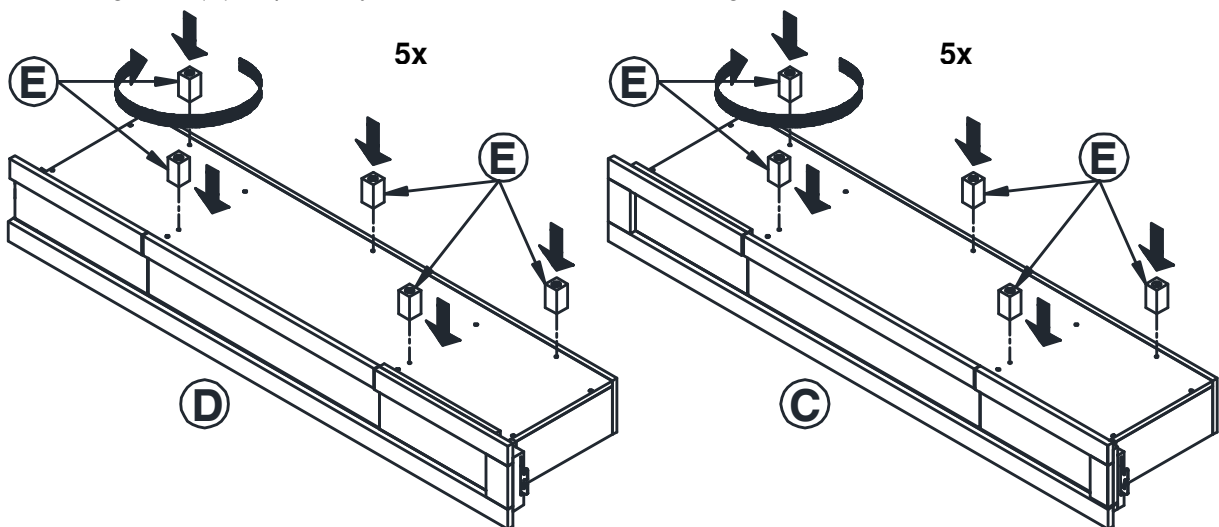
(G) Wood Screw (4x30mm) – 28x

PRE-ASSEMBLY:

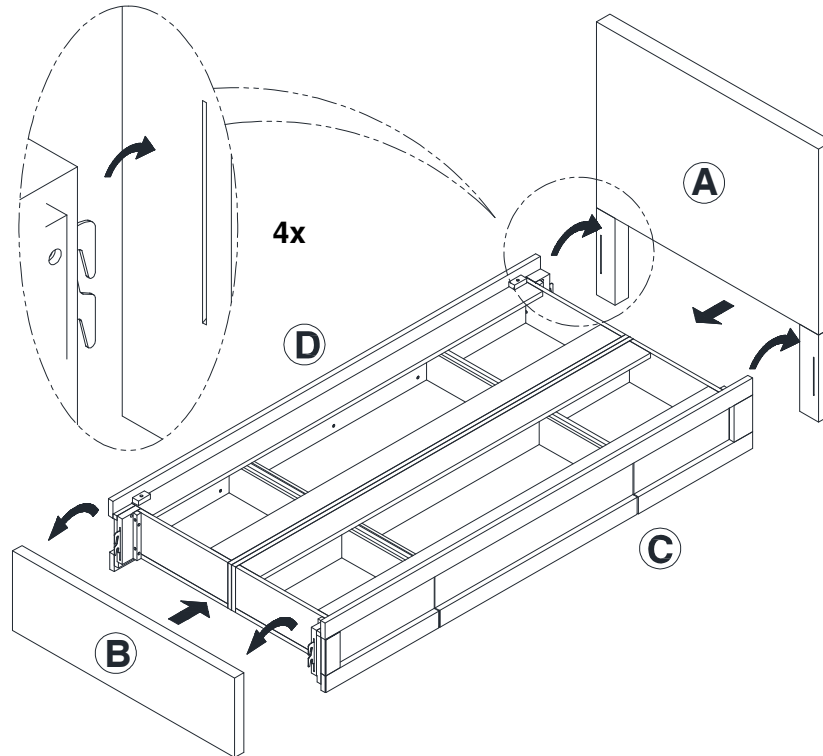
- For your safety and ease, assembly by two adults is recommended.
- Please read all instructions before beginning assembly. The illustrations provided allow for easier assembly when used in conjunction with the assembly instructions.
- Remove all parts and hardware from box and lay out on a carpeted or scratch-free work surface. The shipping box provides an ideal work surface. Do not dispose of any contents until assembly is completed to avoid accidentally discarding small parts or hardware.
- Use the parts and hardware lists to identify and separate each of the pieces included prior to starting assembly.
- Note: DO not fully tighten the bolts until all parts are in place. Failure to follow these instructions may cause the bolts to misalign during assembly.
- Do not use power drill as it may cause cracking.

ASSEMBLY INSTRUCTIONS:

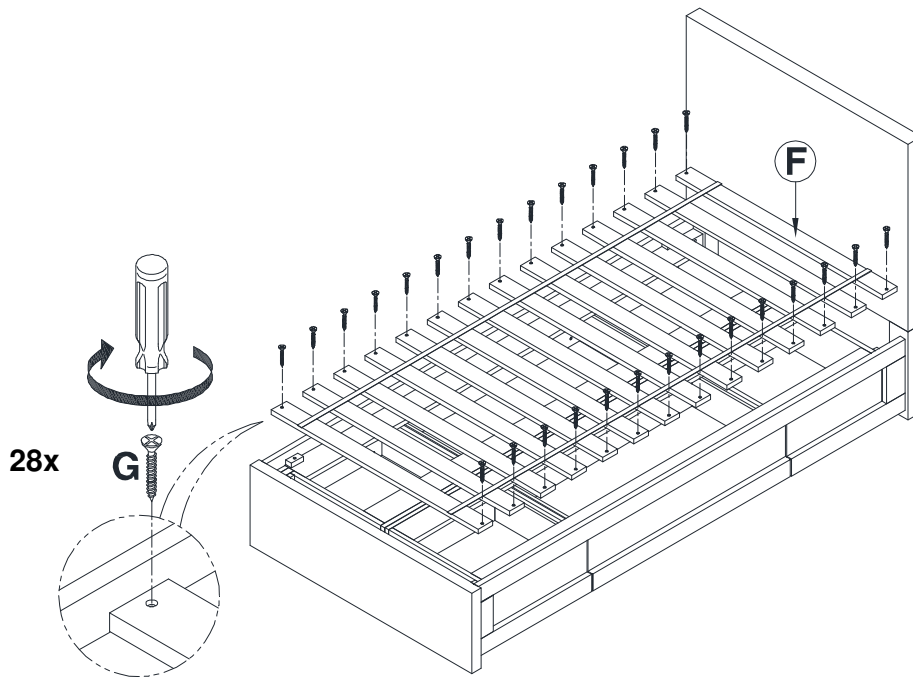
1. Thread the 10 Support Feet (E) into the metal inserts located on bottom of Right Side Storage Unit (C) and Left Side Storage Unit (D) respectively, as shown below. Do not over tighten.



2. Hold the Right/Left Side Storage Unit (C/D) up, and align the hooks to the slots on the legs of Footboard (B). Insert the hooks of each Side Storage Unit into the slots. Push down firmly on top of the side storage units until they slot themselves over the pins inside the legs.
3. Repeat the above procedure for Classic Headboard Twin (A).



4. Assemble Slat Roll (F) to the bed frame using (28x) Wood Screws (G) with a Philips Screwdriver as shown.



CARE INSTRUCTIONS:

- Dust often using a clean, soft, dry lint-free cloth.
- Blot spills immediately, and wipe with a clean, damp, cloth.
- We do not recommend the use of chemical cleansers, abrasives, or furniture polish on our lacquered finish.