

SLINGSHOT CHAIR

Important Safety Instructions:

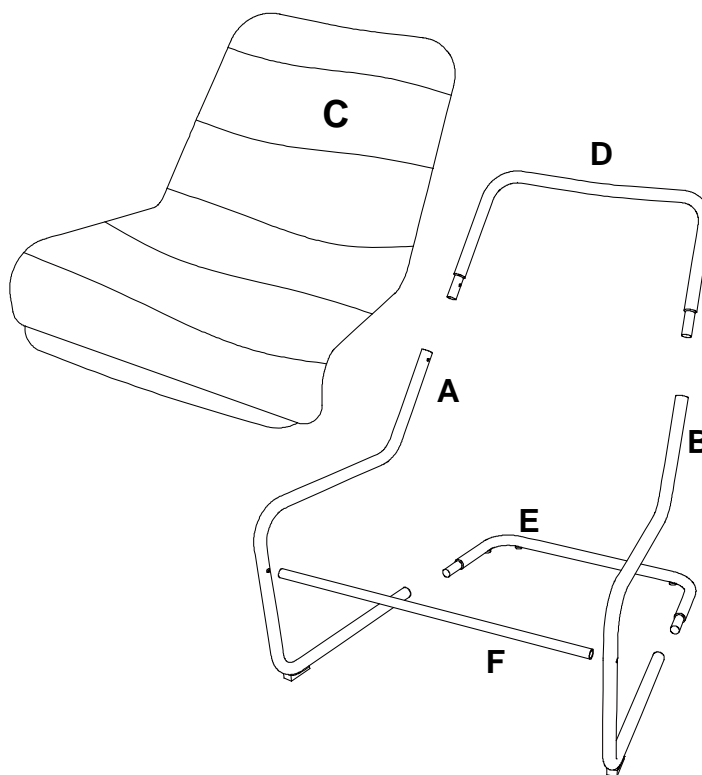
- Please read all instructions carefully before assembling.
- For your safety, assembly by two or more adults is strongly recommended.
- Keep instructions for future use.
- Use only vendor supplied hardware to assemble. Using unauthorized hardware could jeopardize the structural integrity of the item.

Pre-assembly:

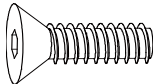
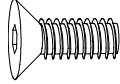
- Remove all parts and hardware from the box and lay out on a clear carpeted or scratch-free work surface, as this will avoid damaging parts during assembly. The shipping box provides an ideal work surface.
- Do not dispose of any packaging or contents of the shipping carton until assembly is completed to avoid accidentally discarding small parts or hardware.
- Use the parts and hardware lists below to identify and separate each of the pieces included.
- The illustrations provided allow for easier assembly when used in conjunction with the assembly instructions.
- The use of power tools to aid in assembly is not recommended. Power tools can damage hardware and split wood.

Parts Included:

- | | | |
|-----|-------------|----|
| (A) | Left Frame | 1x |
| (B) | Right Frame | 1x |
| (C) | Cover | 1x |
| (D) | Top Rail | 1x |
| (E) | Back Rail | 1x |
| (F) | Middle Rail | 1x |

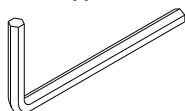


Hardware Included:

(G) Long Bolt  M6 x 35mm 2x	(H) Short Bolt  M6 x 15mm 4x
--	---

Tools Required:

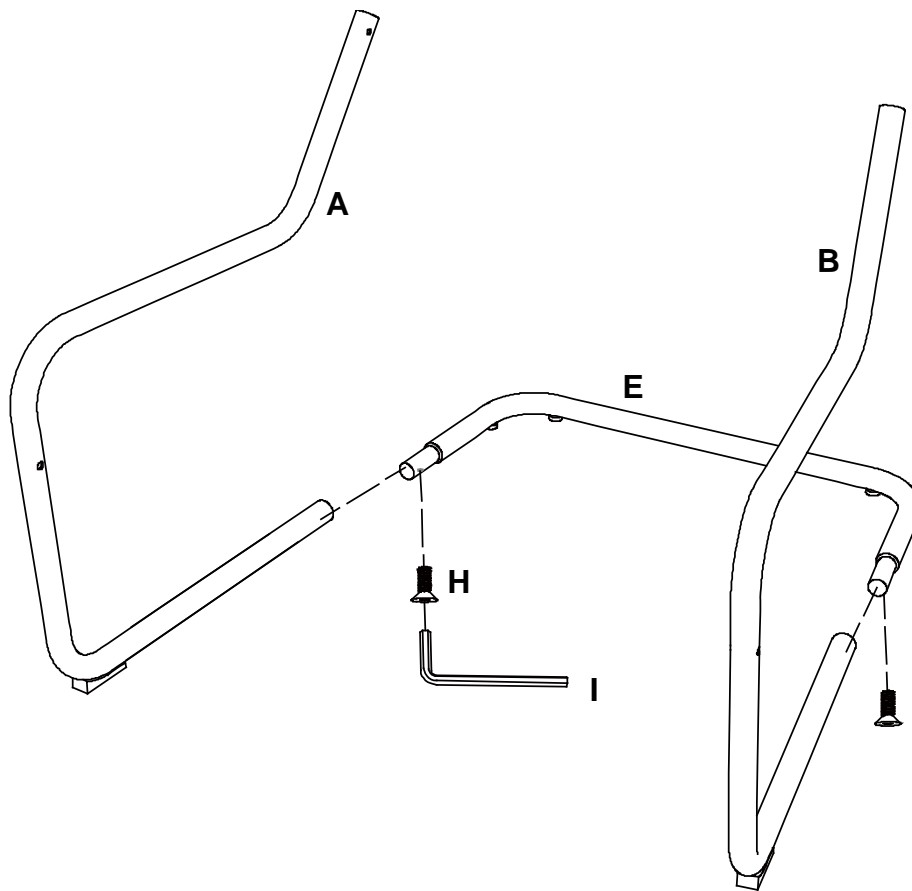
(I)



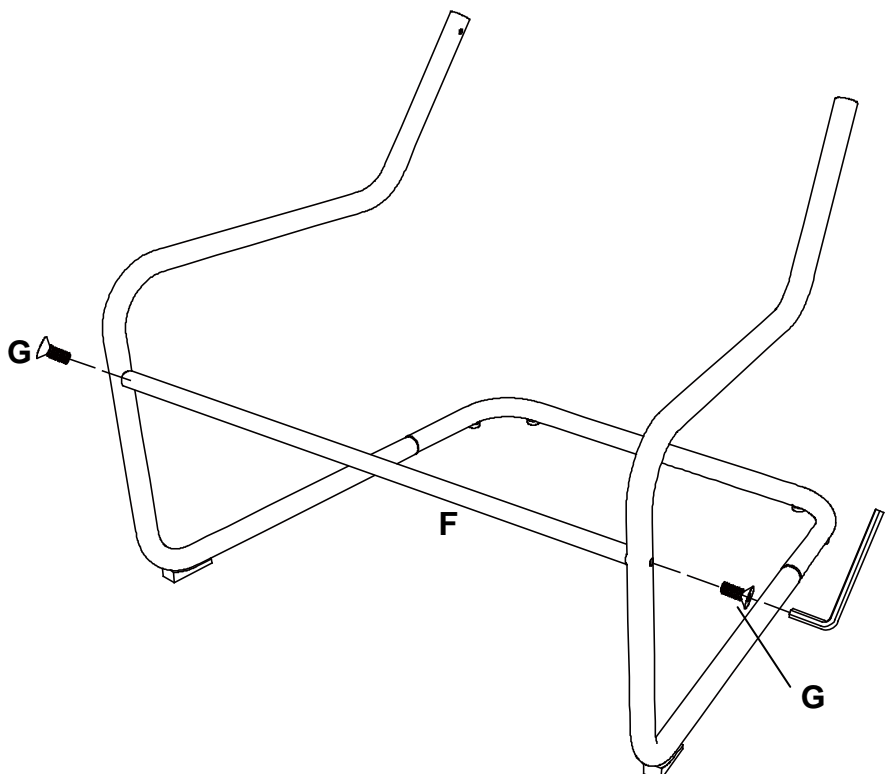
Allen Wrench

Assembly Instruction Steps:

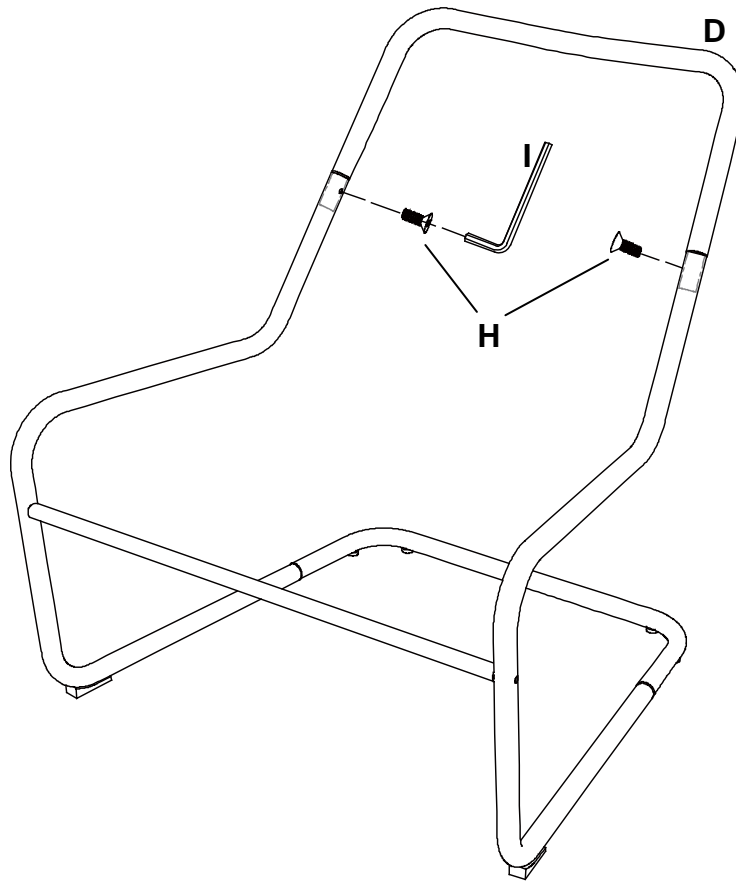
1. Attach Back Rail (E) to Left Frame (A) and Right Frame (B) as shown, insert Short Bolt (H) and loosely tighten with Allen Wrench (I), **DO NOT** fully tighten up the bolts at this step.



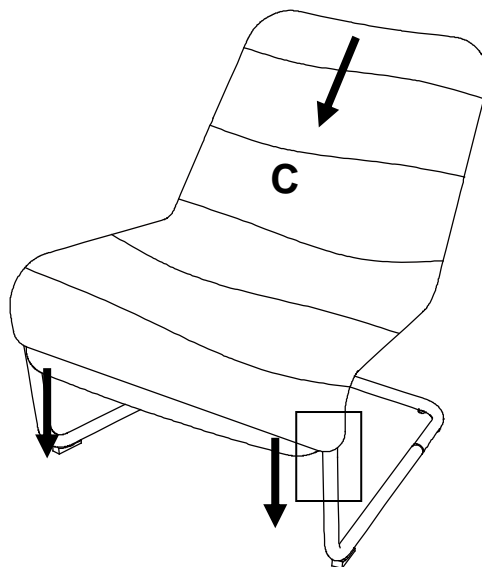
2. Attach Middle Rail (F) to assembly as shown, insert Long Bolt (G) and loosely tighten with Allen Wrench (I), **DO NOT** fully tighten up the bolts at this step.



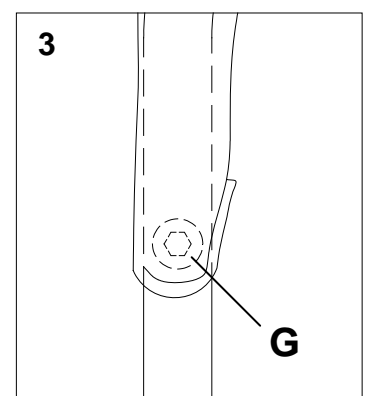
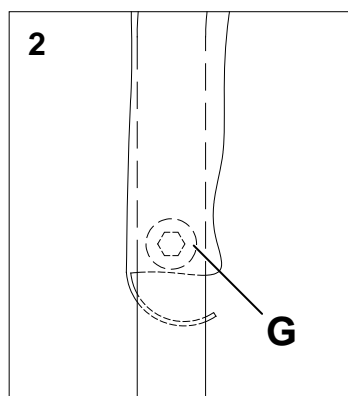
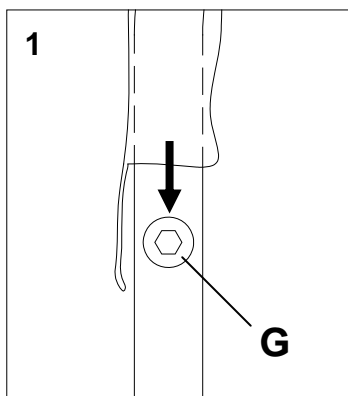
3. Attach Top Rail (D) to assembly as shown, insert Short Bolt (H) and tighten with Allen Wrench (I). **Finally tighten up all bolts** with Allen Wrench (I).



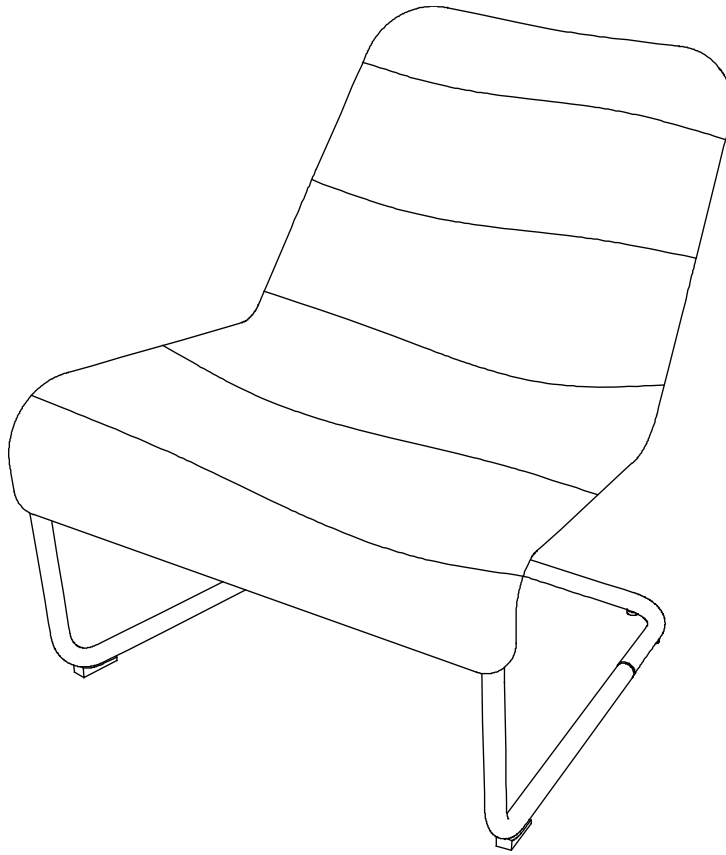
4. Attach Cover (C) to the frame as shown, pull both side of the cover to over the Bolt (G), and then attach the cover to the middle rail with Velcro closure.



**horizontal grain
towards front**



5. Assembly is complete!



Care Instructions:

- Dust often using a clean, soft, dry and lint-free cloth.
- Blot spills immediately and wipe with a clean, damp, cloth.
- We do not recommend the use of chemical cleansers, abrasives or furniture polish on our lacquered finish.
- Hardware may loosen over time. Periodically check to make sure all connections are tight.
Re-tighten if necessary.

Thank you for your purchase
Stores | catalog

www.pbteen.com