

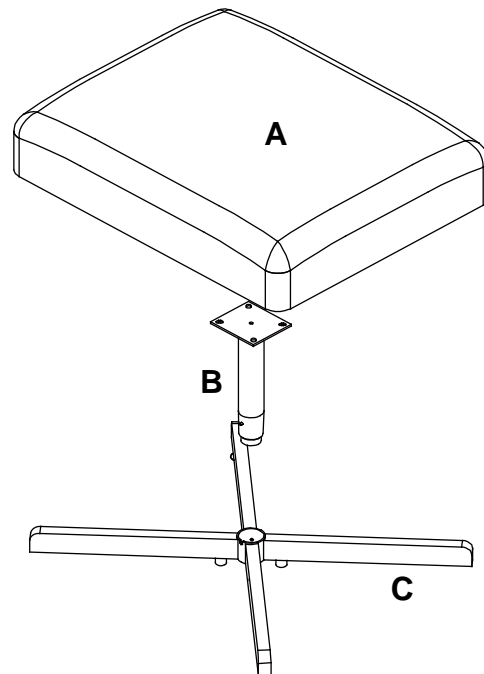
## **CURVED LOUNGE OTTOMAN**

**Important Safety Instructions:**

- Please read all instructions carefully before assembling.
- For your safety, assembly by two or more adults is strongly recommended.
- Keep instructions for future use.
- Use only vendor supplied hardware to assemble. Using unauthorized hardware could jeopardize the structural integrity of the item.

**Pre-assembly:**

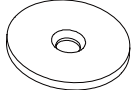
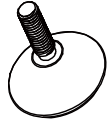
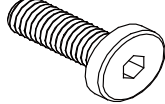
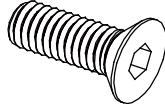
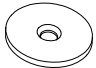
- Remove all parts and hardware from the box and lay out on a clear carpeted or scratch-free work surface, as this will avoid damaging parts during assembly. The shipping box provides an ideal work surface.
- Do not dispose of any packaging or contents of the shipping carton until assembly is completed to avoid accidentally discarding small parts or hardware.
- Use the parts and hardware lists below to identify and separate each of the pieces included.
- The illustrations provided allow for easier assembly when used in conjunction with the assembly instructions.
- The use of power tools to aid in assembly is not recommended. Power tools can damage hardware and split wood.



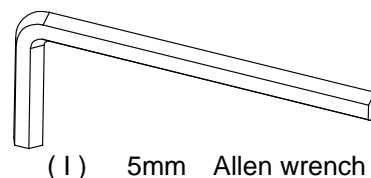
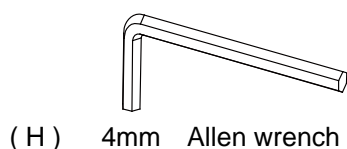
**Parts Included:**

- (A) Cushion 1x
- (B) Post 1x
- (C) Base 1x

**Hardware Included:**

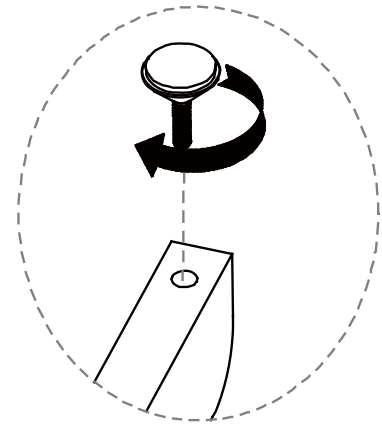
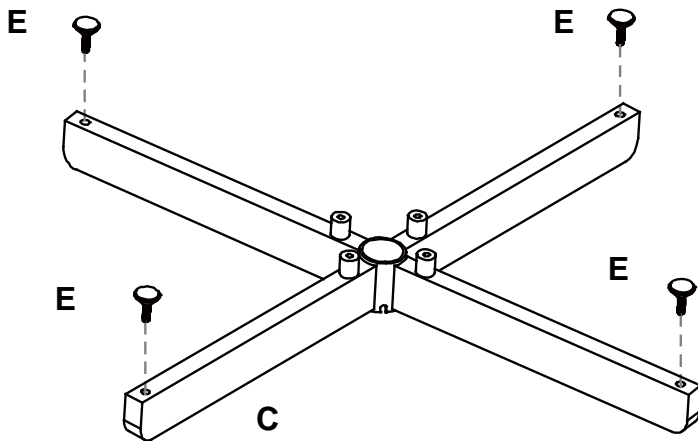
<p>(D) Big Washer</p>  <p>Dia. 57mm 1x</p>	<p>(E) Adjustable Leveler</p>  <p>4x</p>	<p>(F) Bolt</p>  <p>Dia. 1/4" x 3/4" 4x</p>	<p>(G) Flat Head Bolt</p>  <p>M8 x 20mm 1x</p>	<p>(H) Flat Washer</p>  <p>Dia. 16mm 4x</p>
---	---	--	--	--

**Tools Required (included):**

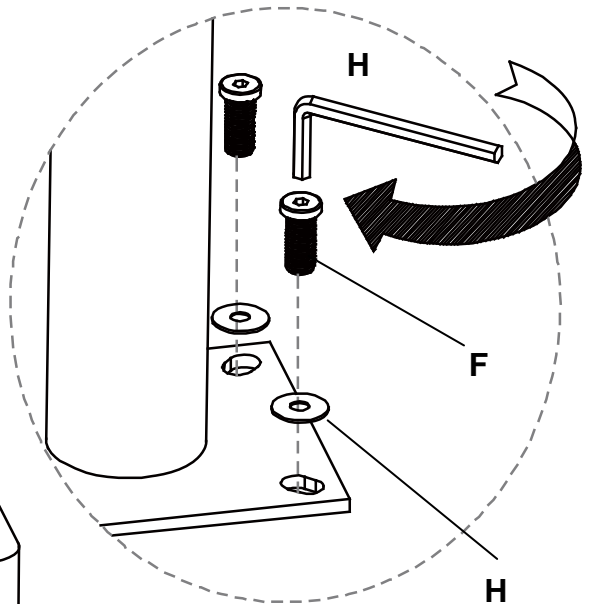
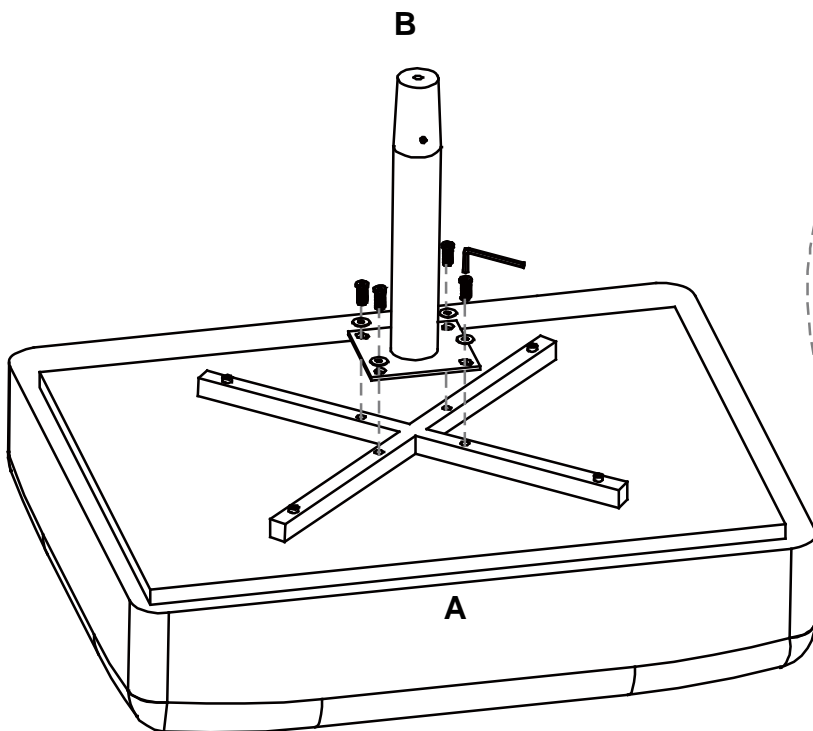


**Assembly Instruction Steps:**

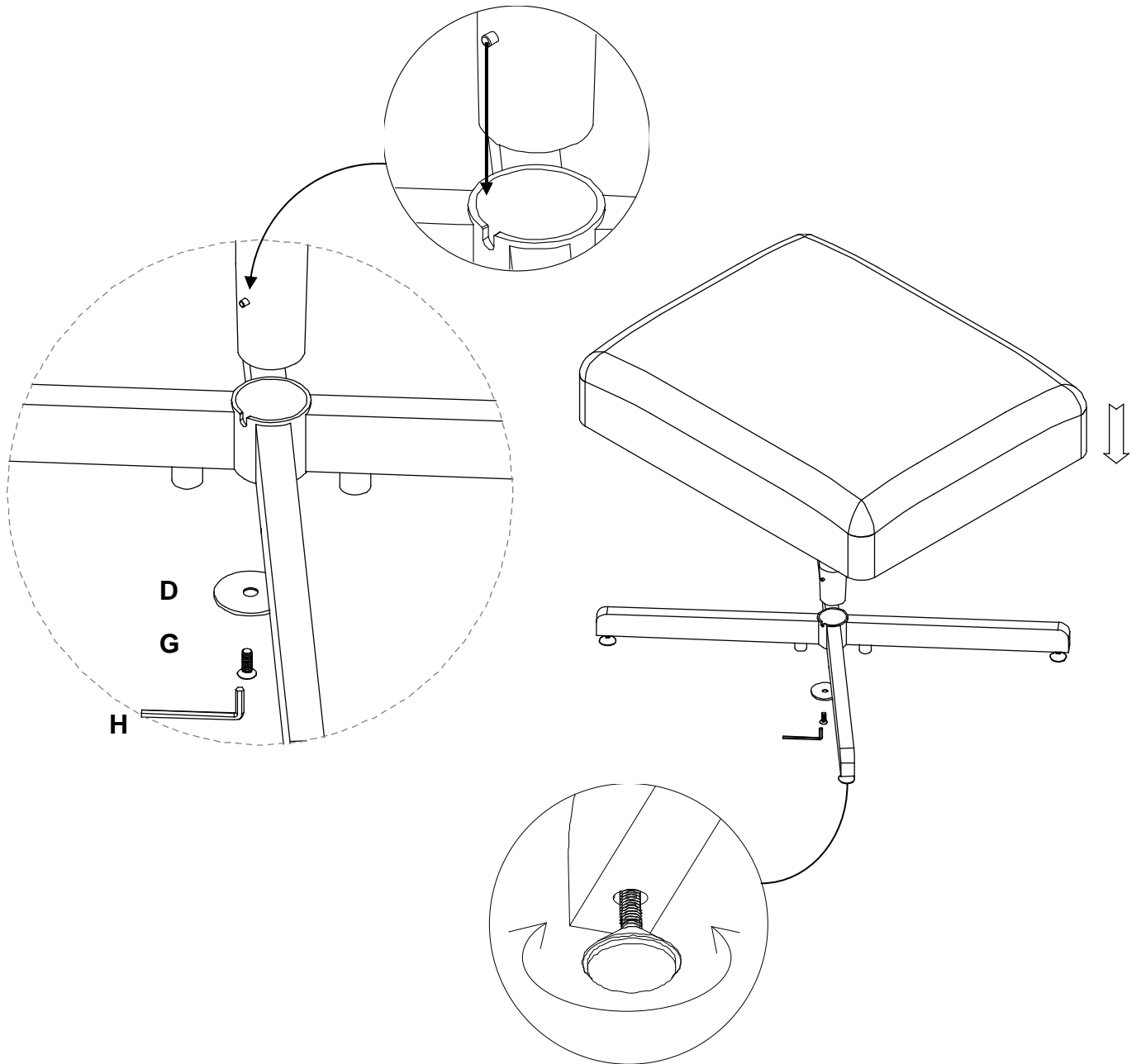
1. Screw the Adjustable Levelers (E) into bottom of Base (C) as shown.



2. Attach Post (B) to the bottom of Cushion (A) as shown, insert Bolt (F) thru Flat Washer (H) and tight with 4mm Allen Wrench (H).



3. Attach the cushion and post assembly to the base as shown, secure the post with Flat Head Bolt (G) and Big Washer (D), tighten the bolt with 5mm Allen Wrench (H).



4. Adjustable levelers are installed to accommodate uneven flooring. To adjust these levelers, simply turn them clockwise to up or counterclockwise to down. Assembly is complete!

**Care Instructions:**

- Dust often using a clean, soft, dry and lint-free cloth.
- Blot spills immediately and wipe with a clean, damp, cloth.
- We do not recommend the use of chemical cleansers, abrasives or furniture polish on our lacquered finish.
- Hardware may loosen over time. Periodically check to make sure all connections are tight. Re-tighten if necessary.

Thank you for your purchase  
Stores | catalog