



SOPHIE DRESSER

ASSEMBLY INSTRUCTIONS



Important Safety Instructions:

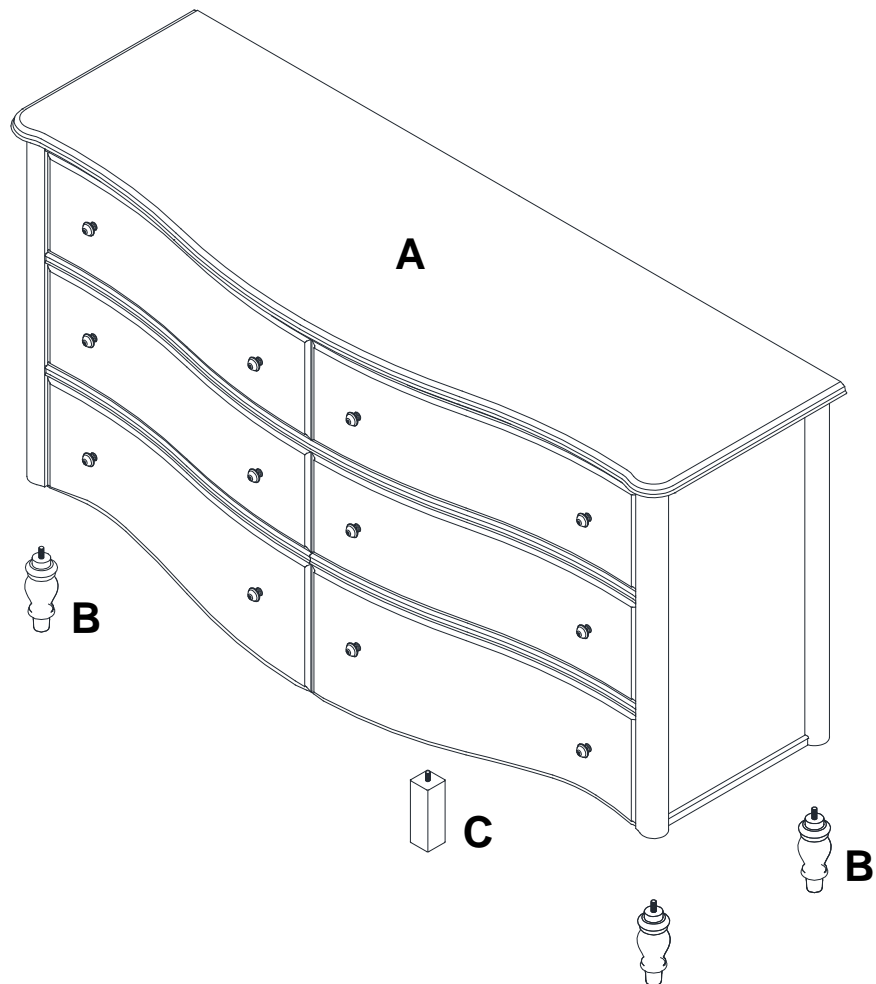
- Please read all instructions carefully before assembling this dresser.
- For your safety, assembly by two or more adults is strongly recommended.
- Keep these instructions for future use.
- Use only vendor-supplied hardware to assemble this item. Using unauthorized hardware could jeopardize the structural integrity of the item.

Pre-assembly:

- Remove all parts and hardware from the box. Place them on a carpeted or scratch-free work surface, as this will avoid damaging parts during assembly. The shipping box provides an ideal work surface.
- To avoid accidentally discarding small parts or hardware, do not dispose of any packaging or contents of the shipping carton until assembly is complete.
- Use the parts and hardware lists below to identify and separate each of the pieces included.
- The illustrations provided allow for easier assembly when used in conjunction with the assembly instructions.
- The use of power tools to aid in assembly is not recommended. Power tools can damage the hardware and split the wood.

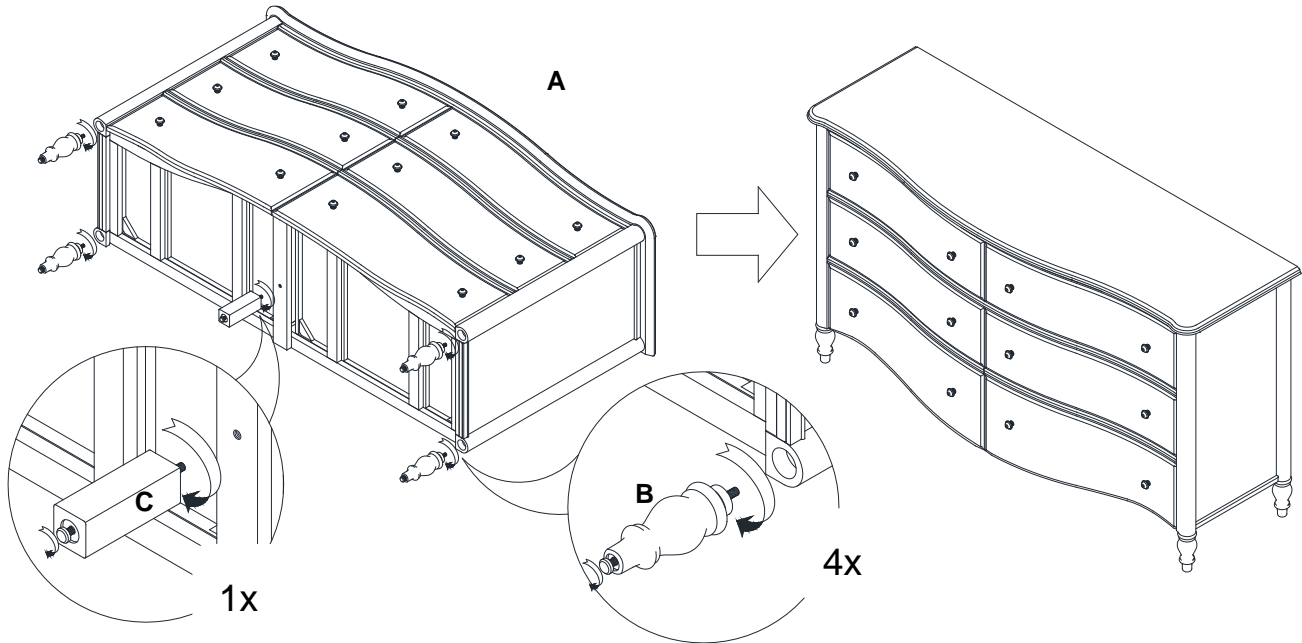
Parts Included:

- (A) Dresser - 1 pc
- (B) Bun feet - 4 pcs
- (C) Support leg - 1 pc

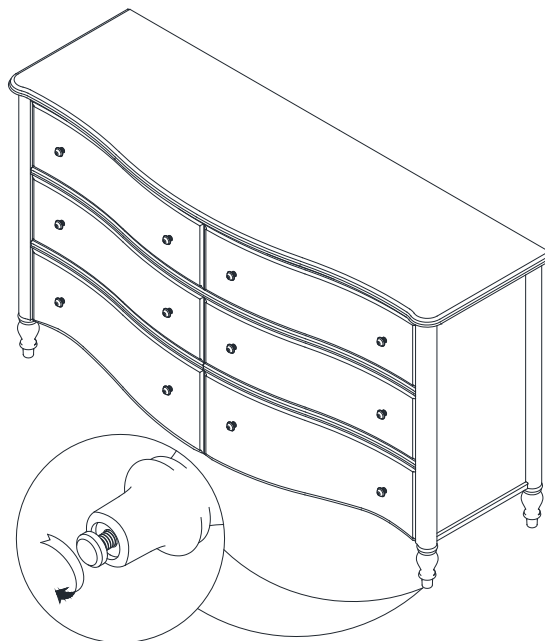


Assembly Instruction Steps:

1. Place the Dresser (A) down onto a soft, flat surface, as seen in the illustration below.
2. Thread the 4 Bun Feet (B) and 1 Support Leg (C) into the bottom of the dresser and turn in a clock-wise direction until tight, as seen in the illustration below.



3. If needed, adjust the levelers located under the legs to keep the dresser level.



Care Instructions:

- Dust often using a clean, soft, dry, and lint-free cloth.
- Blot spills immediately and wipe with a clean, damp cloth.
- We do not recommend the use of chemical cleansers, abrasives, or furniture polish on our lacquered finish.
- Hardware may loosen over time. Periodically check to make sure all connections are tight.

Re-tighten if necessary.