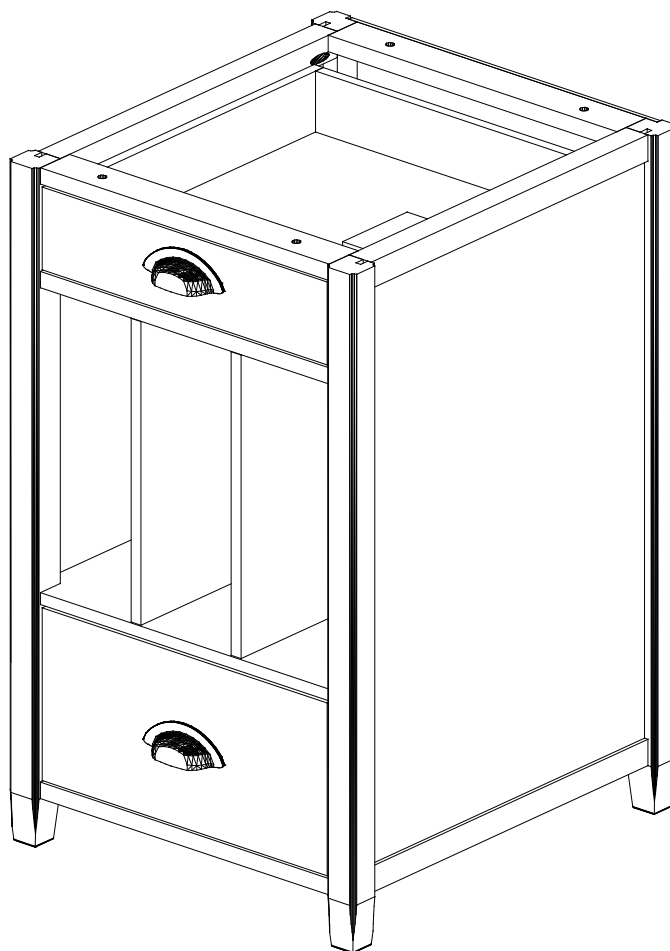




Chatham Multi Storage Base

ASSEMBLY INSTRUCTIONS



Date : 2013-April-2
Rev : 2013-April-4

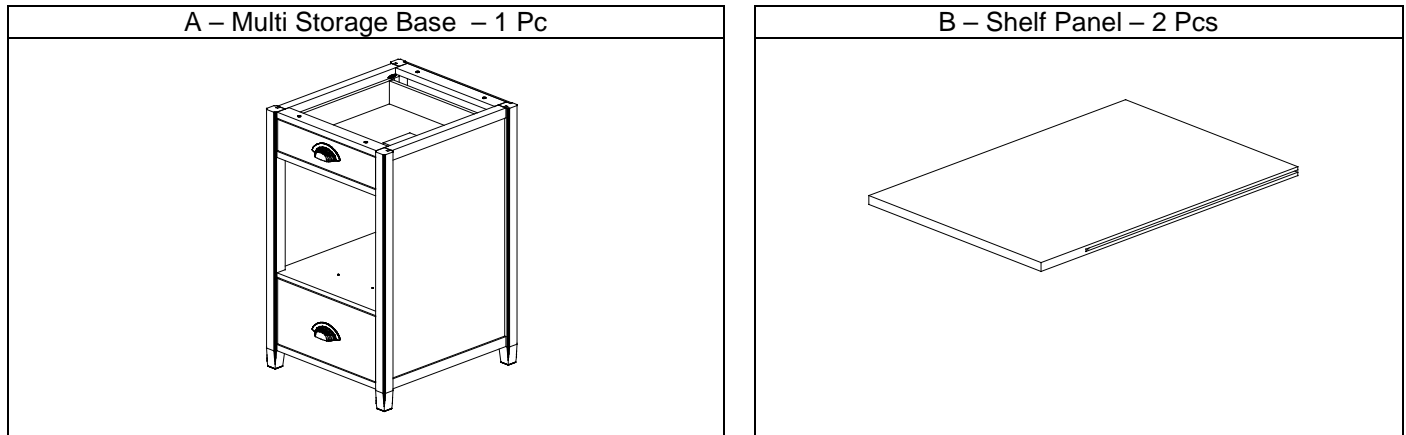
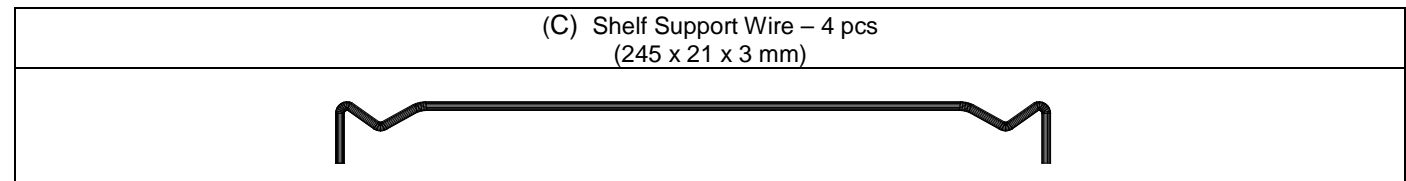
www.pbteen.com

Important Safety Instructions:

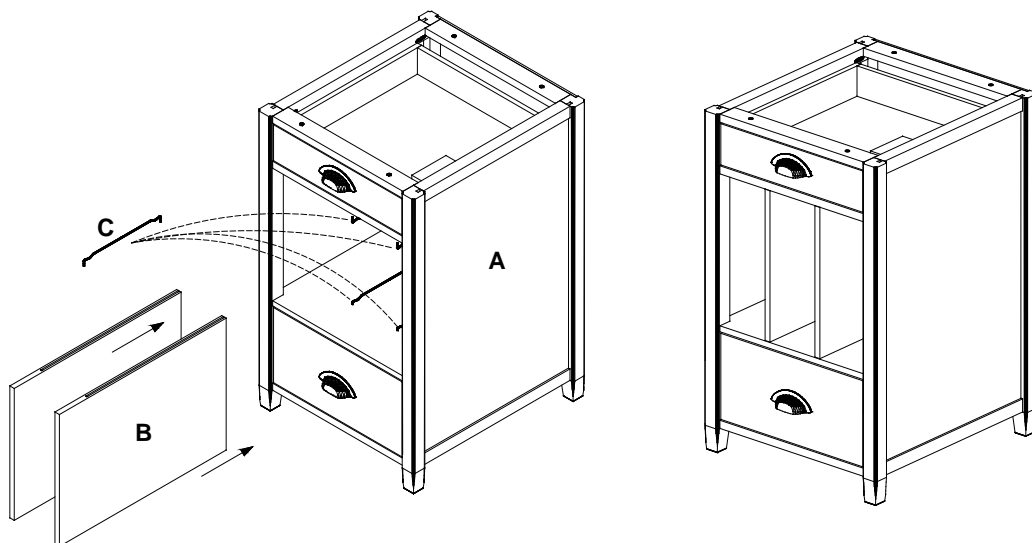
- Please read all instructions carefully before assembling.
- For your safety, assembly by two or more adults is strongly recommended.
- Keep instructions for future use.
- Use only vendor supplied hardware to assemble. Using unauthorized hardware could jeopardize the structural integrity of the item.

Pre-Assembly:

- Please read all instructions before beginning assembly.
- Save all packing materials until assembly is complete to avoid accidentally discarding smaller parts or hardware.

Parts Included:**Hardware Enclosed:****Assembly Instructions:**

1. Insert Shelf Support Wires (C) 4pcs into the pre-drilled holes in the underside of the top shelf, and into the pre-drilled holes at the top of the bottom shelf of the Multi Storage Base (A).
2. Attach Shelf Panels (B) by sliding them onto the Shelf Support Wires (C) on Multi Storage Base (A).

**Care Instructions:**

- Hardware may loosen over time. Periodically check to make sure all connections are tight. Re-tighten if necessary.
- Dust often using a clean, soft, dry and lint-free cloth.
- To clean, slightly moisten cloth with water. (a damp cloth holds dust and prevent scratching; dry thoroughly)