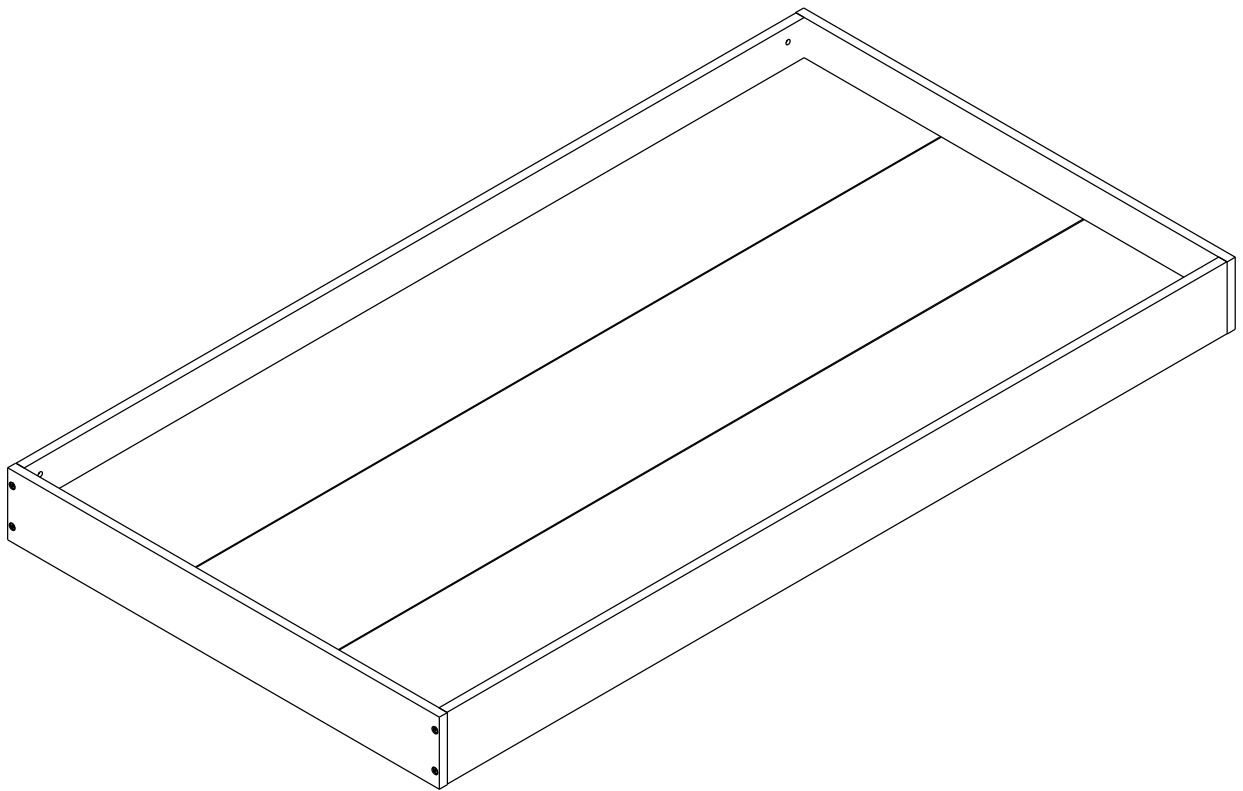


# Universal Trundle

## Assembly Instructions



**⚠ WARNING**

When using trundle for sleeping, trundle bed must be pulled away entirely from the bed structure to prevent any entrapment issues. Make sure area surrounding the trundle bed is clear of any hazard.

**⚠ MISE EN GARDE**

Lorsque le lit gigogne est utilisé pour dormir, le lit gigogne doit être retiré entièrement de la structure du lit pour prévenir tous problèmes de coincement. Assurez-vous que la zone entourant le lit gigogne est dégagée de tout danger.

04-000216

**IMPORTANT SAFETY INSTRUCTIONS:**

- Please read all all instructions carefully before assembling.
- For your safety, assembly by two or more adults is strongly recommended.
- Keep instructions for future use.
- Use only vendor-supplied hardware to assemble. Using unauthorized hardware could jeopardize the structural integrity of the item.

**PRE- ASSEMBLY:**

- Remove all parts and hardware from the box and place them on a carpeted or scratch-free work surface. The shipping box provides an ideal work surface.
- To avoid accidentally discarding small parts or hardware, please do not dispose of any contents until assembly is complete.
- For your safety and ease of assembly, two people are recommended to assemble this item.
- Prior to starting the assembly, use the parts and hardware lists to identify and separate each of the pieces included.
- The illustrations provided allow for easier assembly when used in conjunction with the assembly instructions.
- Note: Do not fully tighten any of the bolts until all parts are in place. Failure to follow these instructions may cause the bolts to misalign during assembly.
- Please use caution if using power tools to aid in assembly. Power tools can damage hardware or split the wood.

**PARTS INCLUDED:**

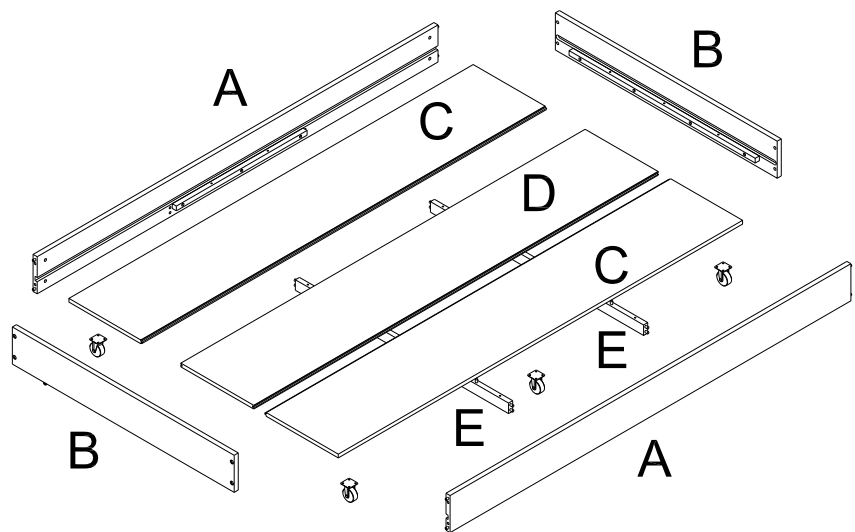
A – Long side rail (x2)

B – Short side rail (x2)

C – Side bottom rail with protruding edge (x2)

D – Middle bottom rail with sunken edge (x1)

E – Bottom board support (x2)



**HARDWARE INCLUDED:**


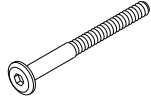
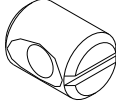
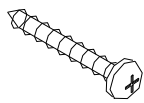
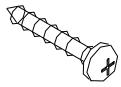
F – Ball Tip Allen Key

G – Hex Bolt

H –Barrel Nut

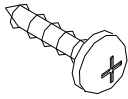

I –Pan Head Screw

J- Pan Head Screw

F	G	H	I	J
				
(included)	1/4"x63x13mm	1/4"x11x10mm	8x38mm	8x25mm
1 pc	8 pcs	8 pcs	12 pcs	10 pcs

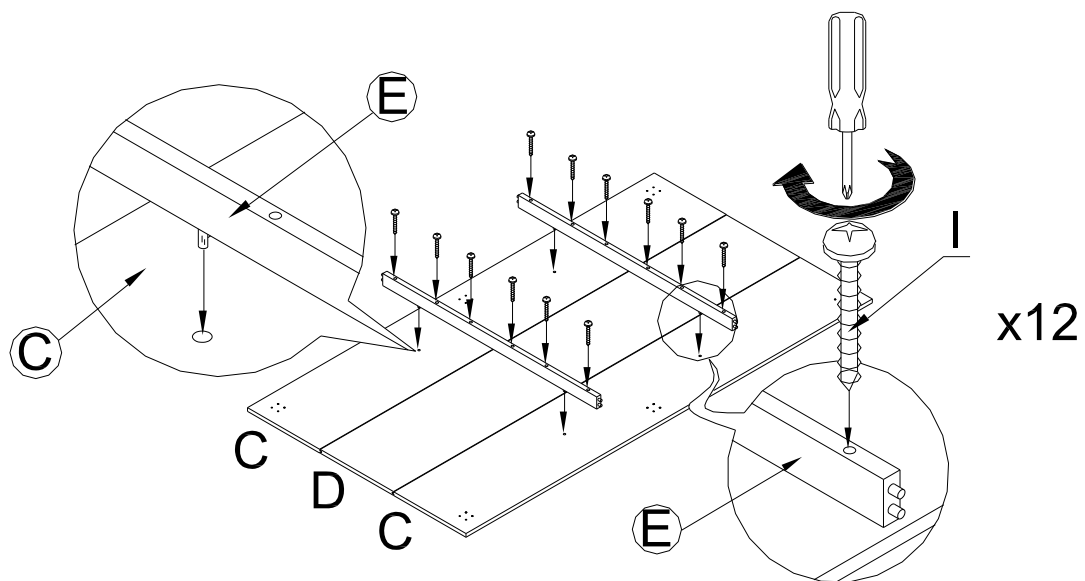
K – Pan Head Screw

L – Caster

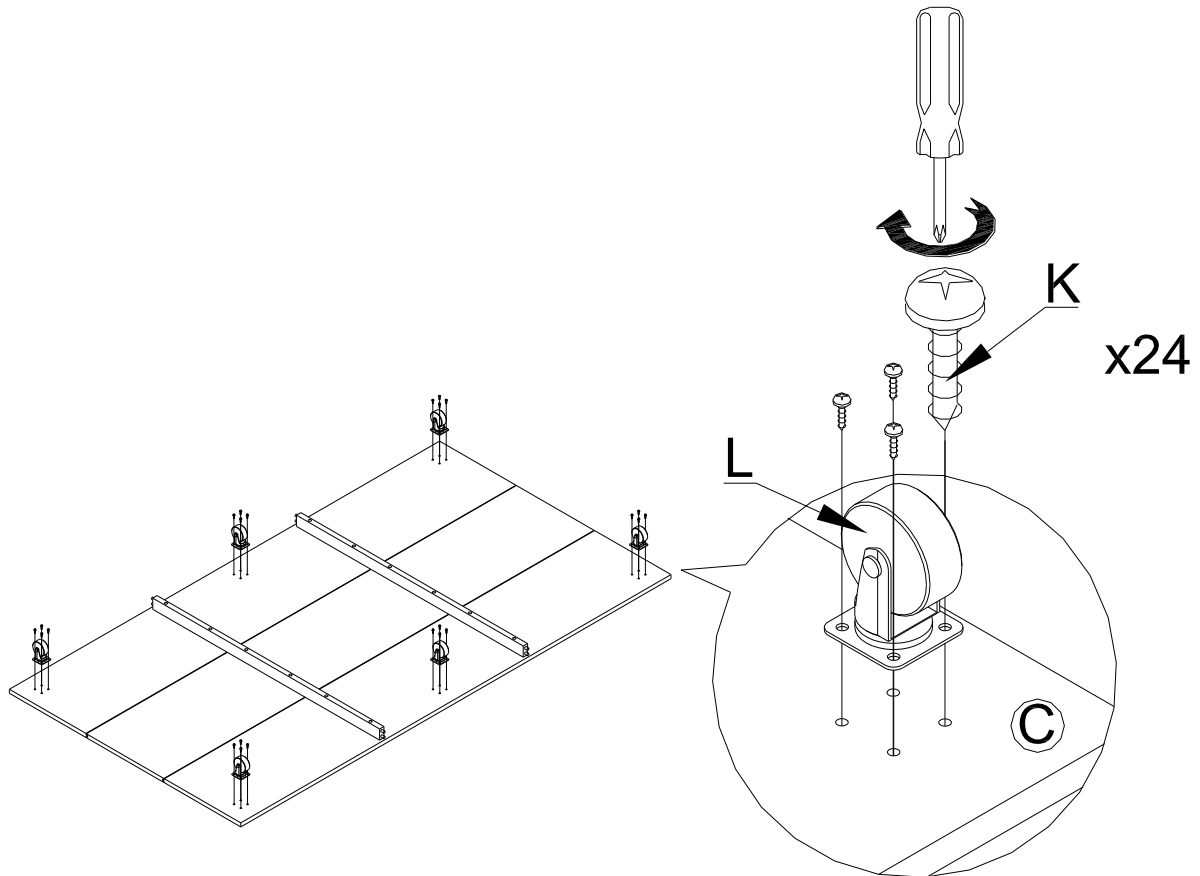
K	L
 8x12mm	 50x50x65mm
24 pcs	6 pcs

**ASSEMBLY INSTRUCTION STEPS:**

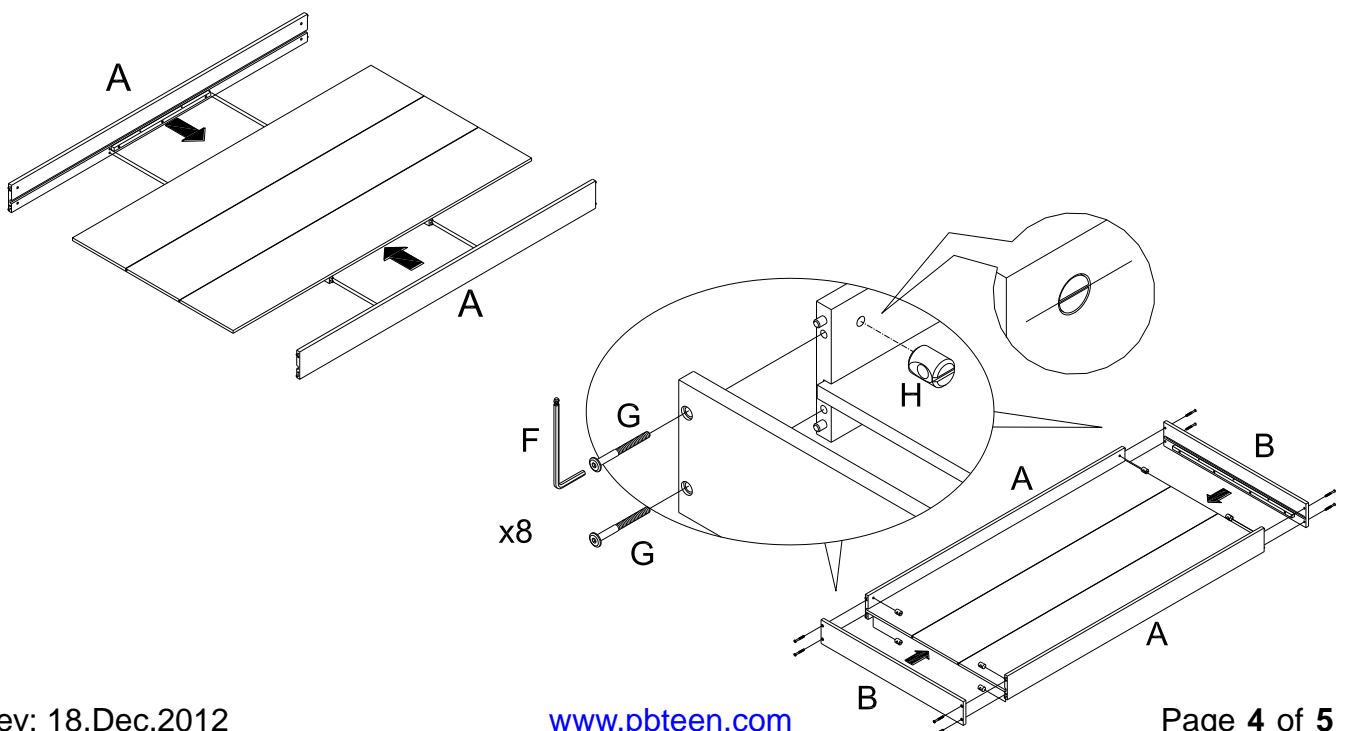
1. Lay the Side Bottom Boards (C) with the pre-drilled holes facing up.
2. Slot the protruding edges of the Middle Bottom Board (D) into the sunken edges on the Side Bottom Boards (C), as seen in the illustration below.
3. Align the wooden dowels on the Bottom Board Support (E) with the pre-drilled holes at the bottom of Side Bottom Boards (C).
4. Screw Bottom Board Support (E) to Bottom Boards with Pan Head Screws 8x38mm (I), as shown in the illustration below.



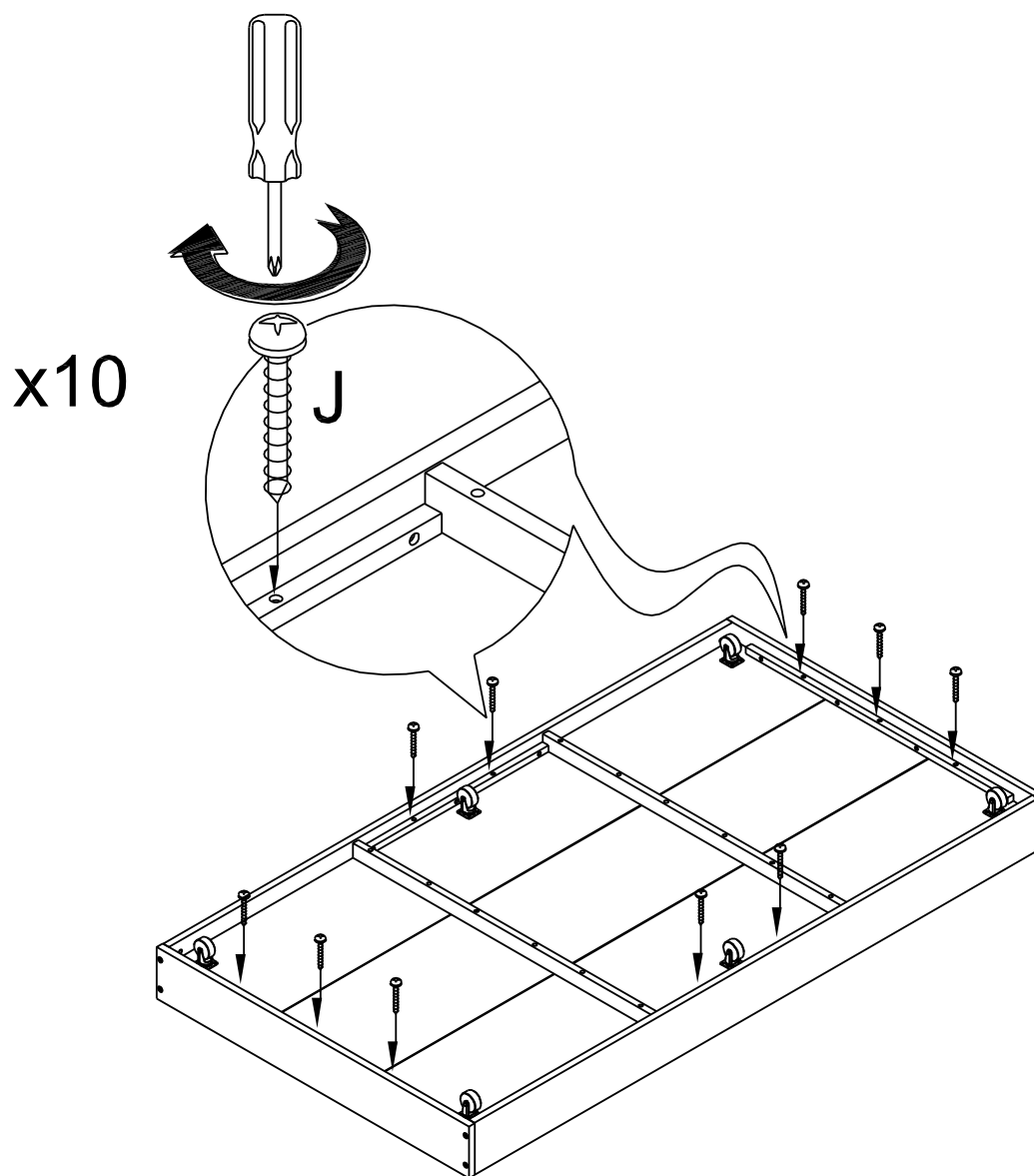
5. Fasten the Casters (L) to the Side Bottom Boards (C) with the Pan Head Screws 8x12mm (K). Make sure to use the pre-drilled holes on the Side Bottom Boards (C) as a guide.



6. Slot the Long Side Rails (A) onto the Side Bottom Boards and attach the Short Side Rails (B) to the Long Side Rails (A).  
7. Secure with Hex Bolt (G) and Barrel Nuts (H), as shown in the illustration below.  
8. Tighten all bolts with Allen Key (F).



9. With the help of another person, turn the assembled trundle over.
10. Tighten the Pan Screws 8x25mm (J) through the pre-drilled holes in the cleats of Side Rails (A&B) and into the Bottom Boards (C), as shown in the illustration below.
11. Assembly is complete.



**CARE INSTRUCTIONS:**

- Hardware may loosen over time. Periodically check to make sure all connections are tight. Re-tighten if necessary.
- Dust often using a clean, soft, dry, and lint-free cloth.
- To clean, slightly moisten cloth with water. (A damp cloth holds dust and prevents scratching; dry thoroughly).
- We do not recommend the use of chemical cleaners, abrasives, or furniture polish on the product.